

## DRV10983 12- to 24-V, Three-Phase, Sensorless BLDC Motor Driver

### 1 Features

- Input Voltage Range: 8 to 28 V
- Total Driver H + L  $r_{DS(on)}$ : 250 m $\Omega$
- Drive Current: 2-A Continuous Winding Current (3-A Peak)
- Sensorless Proprietary Back Electromotive Force (BEMF) Control Scheme
- Continuous Sinusoidal 180° Commutation
- No External Sense Resistor Required
- For Flexibility User May Include External Sense Resistor to Monitor Power Delivered to Motor
- Flexible User Interface Options:
  - I<sup>2</sup>C Interface: Access Registers for Command and Feedback
  - Dedicated SPEED Pin: Accepts Either Analog or PWM Input
  - Dedicated FG Pin: Provides TACH Feedback
  - Spin-Up Profile Customizable With EEPROM
  - Forward-Reverse Control With DIR Pin
- Integrated Step-Down Regulator to Efficiently Provide Voltage (5 V or 3.3 V) for Internal and External Circuits
- Supply Current 3 mA With Standby Version (DRV10983)
- Supply Current 180  $\mu$ A With Sleep Version (DRV10983Z)
- Overcurrent Protection
- Lock Detection
- Voltage Surge Protection
- UVLO Protection
- Thermal Shutdown Protection
- Thermally-Enhanced 24-Pin HTSSOP

### 2 Applications

- Appliance Fan
- HVAC

### 3 Description

The DRV10983 device is a three-phase sensorless motor driver with integrated power MOSFETs, which can provide continuous drive current up to 2 A. The device is specifically designed for cost-sensitive, low-noise, low-external-component-count applications.

The DRV10983 device uses a proprietary sensorless control scheme to provide continuous sinusoidal drive, which significantly reduces the pure tone acoustics that typically occur as a result of commutation. The interface to the device is designed to be simple and flexible. The motor can be controlled directly through PWM, analog, or I<sup>2</sup>C inputs. Motor speed feedback is available through either the FG pin or I<sup>2</sup>C.

The DRV10983 device features an integrated step-down regulator to efficiently step down the supply voltage to either 5 or 3.3 V for powering both internal and external circuits. The device is available in either a sleep mode or a standby mode version to conserve power when the motor is not running. The standby mode (3-mA) version leaves the regulator running and the sleep mode (180- $\mu$ A) version shuts it off. Use the standby mode version in applications where the regulator is used to power an external microcontroller.

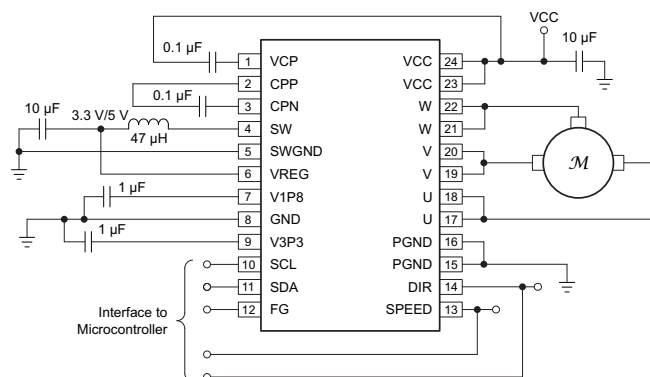
TI provides [DRV10983 tuning Guide](#) for quick setup and tuning of the device for optimal performance.

#### Device Information<sup>(1)</sup>

PART NUMBER	PACKAGE	BODY SIZE (NOM)
DRV10983	HTSSOP (24)	7.80 mm × 6.40 mm
DRV10983Z		

(1) For all available packages, see the orderable addendum at the end of the data sheet.

#### Application Schematic



Copyright © 2016, Texas Instruments Incorporated



## Table of Contents

<b>1 Features</b> .....	1	8.5 Register Maps .....	42
<b>2 Applications</b> .....	1	<b>9 Application and Implementation</b> .....	48
<b>3 Description</b> .....	1	9.1 Application Information.....	48
<b>4 Revision History</b> .....	2	9.2 Typical Application .....	48
<b>5 Description (continued)</b> .....	5	<b>10 Power Supply Recommendations</b> .....	50
<b>6 Pin Configuration and Functions</b> .....	5	<b>11 Layout</b> .....	50
<b>7 Specifications</b> .....	6	11.1 Layout Guidelines .....	50
7.1 Absolute Maximum Ratings .....	6	11.2 Layout Example .....	51
7.2 ESD Ratings.....	6	<b>12 Device and Documentation Support</b> .....	52
7.3 Recommended Operating Conditions.....	7	12.1 Device Support .....	52
7.4 Thermal Information .....	7	12.2 Documentation Support .....	52
7.5 Electrical Characteristics.....	8	12.3 Trademarks .....	52
7.6 Typical Characteristics .....	11	12.4 Electrostatic Discharge Caution.....	52
<b>8 Detailed Description</b> .....	12	12.5 Receiving Notification of Documentation Updates	52
8.1 Overview .....	12	12.6 Community Resources.....	52
8.2 Functional Block Diagram .....	13	12.7 Glossary .....	52
8.3 Feature Description.....	14	<b>13 Mechanical, Packaging, and Orderable</b>	
8.4 Device Functional Modes.....	17	<b>Information</b> .....	52

## 4 Revision History

NOTE: Page numbers for previous revisions may differ from page numbers in the current version.

Changes from Revision G (February 2018) to Revision H	Page
• Added PGND spec to <a href="#">Absolute Maximum Ratings</a> .....	6
• Added Open Drain spec to <a href="#">Electrical Characteristics</a> .....	10
• Added update on V3P3 LDO and V1P8 LDO .....	14
• Updated <a href="#">PWM Output</a> <a href="#">PWM Output</a> section .....	37
• Added information on motor speed accuracy .....	39
• Added MotorCurrent1 and MotorCurrent2 to <a href="#">Register Map</a> .....	42
• Added MotorCurrent1 and MotorCurrent2 to <a href="#">Table 9</a> .....	44
• Updated <a href="#">Table 10</a> .....	49
• Added EEPROM note to <a href="#">Layout Guidelines</a> .....	50

Changes from Revision F (December 2017) to Revision G	Page
• Added timing information for entering and exiting sleep mode and standby mode .....	9
• Added BEMF COMPARATOR hysteresis specification .....	10
• Updated <i>Start the Motor Under Different Initial Conditions</i> figure .....	21
• Changed the default value for register address 0x27 from 0xFC to 0xF4 in the <i>Default EEPROM Value</i> table .....	43
• Deleted the "TI recommends..." sentence from the description for address 0x27, bit 3 .....	46
• Added constraints to recommended external inductor .....	49

Changes from Revision E (May 2017) to Revision F	Page
• Specified the drive current as continuous winding current in the <i>Features</i> .....	1
• Added the internal SPEED pin pulldown resistance to ground parameter to the <i>Electrical Characteristics</i> table .....	9
• Changed the <i>Step-Down Regulator</i> section .....	14
• Updated the <i>Motor Phase Resistance</i> section .....	17

• Deleted the <i>Inductive AVS Function</i> section .....	37
• Changed the default value for register address 0x29 from 0xB7 to 0xB9 in the <i>Default EEPROM Value</i> table .....	43
• Added application information for the sleep mode device .....	48

---

<b>Changes from Revision D (May 2017) to Revision E</b>	<b>Page</b>
---	-------------

• Changed pin numbering in the <i>Pin Functions</i> table .....	6
---	---

---

<b>Changes from Revision C (May 2016) to Revision D</b>	<b>Page</b>
---	-------------

• Added the DRV10983Z part number to the data sheet header and to the <i>Device Information</i> table .....	1
• Added DRV10983Z part number .....	7
• Corrected the link to the <i>DRV10983 and DRV10975 Tuning Guide</i> .....	17
• Added text to the <i>PWM Output</i> section .....	37
• Changed <a href="#">Figure 37</a> .....	38
• Changed "FGOLSet[1:0]" to "FGOLsel[1:0]" in <i>Register Map</i> address 0x2B .....	42
• Added recommended minimum dead time to SysOpt7 register .....	47
• Added <i>External Components</i> table .....	49
• Changed the link to the <i>DRV10983 and DRV10975 Tuning Guide</i> .....	49
• Changed the layout example .....	51

---

<b>Changes from Revision B (February 2015) to Revision C</b>	<b>Page</b>
--	-------------

• Added "phase to phase" clarification for overcurrent protection .....	10
• Added more accurate description to clarify overcurrent protection operation .....	15

---

<b>Changes from Revision A (October 2014) to Revision B</b>	<b>Page</b>
---	-------------

• Changed data sheet with the DRV10983Z sleep version .....	1
---	---

---

<b>Changes from Original (July 2014) to Revision A</b>	<b>Page</b>
--	-------------

• Changed the input voltage range: 8 to 28 V .....	1
• Deleted DRV10983Z sleep version part and updated standby mode supply current .....	1
• Updated pin information for SW, SWGND, VREG, SDA, FG, and V <sub>CC</sub> pins .....	5
• Added DIR, SW, and VREG pins to <i>Absolute Maximum Ratings</i> .....	6
• Updated max supply voltage and voltage range ratings for VCC and U, V, W in <i>Recommended Operating Conditions</i> .....	6
• changed <i>Functional Block Diagram</i> .....	13
• Changed "hardware current limit" to "lock detection current limit" and "software current" to "acceleration current limit" throughout data sheet .....	15
• Updated max value for open to closed loop threshold .....	27
• Corrected description to "velocity constant of the motor" for <a href="#">Equation 2</a> .....	27
• Corrected register name in <a href="#">Start-Up Current Setting</a> .....	27
• Updated <a href="#">Equation 3</a> .....	27
• Updated <a href="#">Figure 20</a> .....	28
• Updated caption name for <a href="#">Figure 24</a> .....	30
• Corrected max speed command setting for SpdCtrl[8:0] .....	30
• Updated register description for status register. ....	42
• Updated the data in the examples for MotorSpeed1 and MotorPeriod1 .....	44

**DRV10983, DRV10983Z**

SLVSCP6H–JULY 2014–REVISED JUNE 2020

[www.ti.com](http://www.ti.com)

---

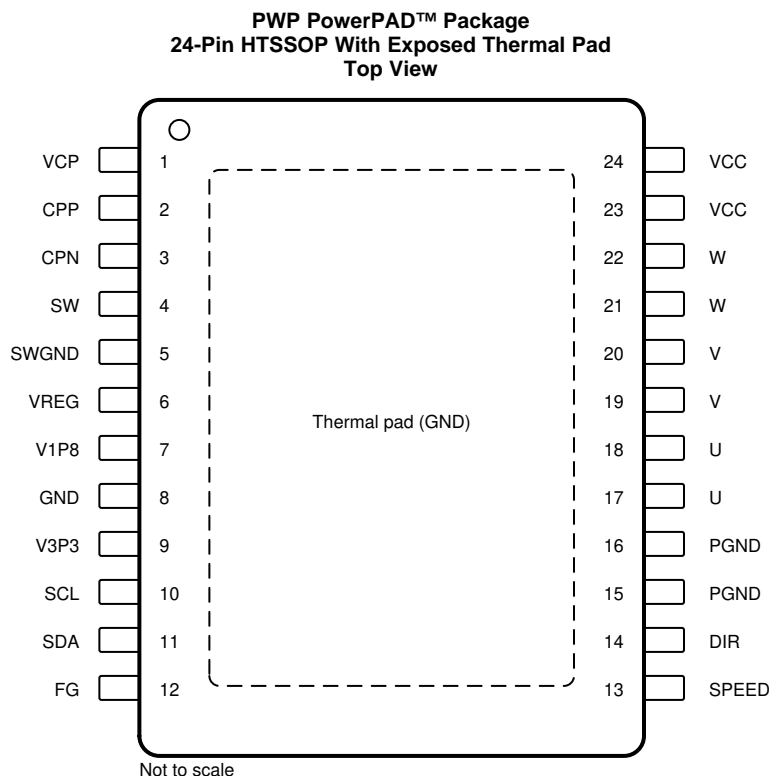
• Updated IPDPosition description in <i>Register Map</i> .....	44
• Increased max motor voltage for Recommended Application Range .....	49
• Updated graph callout for <a href="#">Figure 41</a> .....	50

---

## 5 Description (continued)

An I<sup>2</sup>C interface allows the user to reprogram specific motor parameters in registers and program the EEPROM to help optimize the performance for a given application. The DRV10983 device is available in a thermally efficient HTSSOP, 24-pin package with an exposed thermal pad. The operating temperature is specified from –40°C to 125°C.

## 6 Pin Configuration and Functions



### Pin Functions

PIN		TYPE <sup>(1)</sup>	DESCRIPTION
NAME	NO.		
CPN	3	P	Charge pump pin 1, use a ceramic capacitor between CPN and CPP.
CPP	2	P	Charge pump pin 2, use a ceramic capacitor between CPN and CPP.
DIR	14	I	Direction
FG	12	O	FG signal output.
GND	8	—	Digital and analog ground
PGND	15, 16	—	Power ground
SCL	10	I	I <sup>2</sup> C clock signal
SDA	11	I/O	I <sup>2</sup> C data signal
SPEED	13	I	Speed control signal for PWM or analog input speed command
SW	4	O	Step-down regulator switching node output
SWGND	5	P	Step-down regulator ground
U	17, 18	O	Motor U phase
V	19, 20	O	Motor V phase
V1P8	7	P	Internal 1.8-V digital core voltage. V1P8 capacitor must connect to GND. This is an output, but not specified to drive external loads.

(1) I = input, O = output, I/O = input/output, P = power

**Pin Functions (continued)**

PIN		TYPE <sup>(1)</sup>	DESCRIPTION
NAME	NO.		
V3P3	9	P	Internal 3.3-V supply voltage. V3P3 capacitor must connect to GND. This is an output and may drive external loads not to exceed $I_{V3P3\_MAX}$ .
V <sub>CC</sub>	23, 24	P	Device power supply
VCP	1	P	Charge pump output.
VREG	6	P	Step-down regulator output and feedback point
W	21, 22	O	Motor W phase
thermal pad (GND)	—	—	The exposed thermal pad must be electrically connected to the ground plane through soldering to PCB for proper operation and connected to bottom side of PCB through vias for better thermal spreading.

## 7 Specifications

### 7.1 Absolute Maximum Ratings

 over operating ambient temperature (unless otherwise noted)<sup>(1)</sup>

		MIN	MAX	UNIT
Input voltage <sup>(2)</sup>	VCC	−0.3	30	V
	SPEED	−0.3	4	
	PGND	−0.3	0.3	
	SCL, SDA	−0.3	4	
	DIR	−0.3	4	
Output voltage <sup>(2)</sup>	U, V, W	−1	30	V
	SW	−1	30	
	VREG	−0.3	7	
	FG	−0.3	4	
	VCP	−0.3	$V_{(VCC)} + 6$	
	CPN	−0.3	30	
	CPP	−0.3	$V_{(VCC)} + 6$	
	V3P3	−0.3	4	
V1P8	−0.3	2.5		
Maximum junction temperature, $T_{J\_MAX}$		−40	150	°C
Storage temperature, $T_{stg}$		−55	150	°C

(1) Stresses beyond those listed under *Absolute Maximum Ratings* may cause permanent damage to the device. These are stress ratings only, which do not imply functional operation of the device at these or any other conditions beyond those indicated under *Recommended Operating Conditions*. Exposure to absolute-maximum-rated conditions for extended periods may affect device reliability.

(2) All voltage values are with respect to the network ground terminal (GND) unless otherwise noted.

### 7.2 ESD Ratings

			VALUE	UNIT
$V_{(ESD)}$	Electrostatic discharge	Human body model (HBM), per ANSI/ESDA/JEDEC JS-001, all pins <sup>(1)</sup>	±2500	V
		Charged device model (CDM), per JEDEC specification JESD22-C101, all pins <sup>(2)</sup>	±1500	

(1) JEDEC document JEP155 states that 500-V HBM allows safe manufacturing with a standard ESD control process.

(2) JEDEC document JEP157 states that 250-V CDM allows safe manufacturing with a standard ESD control process.

### 7.3 Recommended Operating Conditions

over operating ambient temperature range (unless otherwise noted)

		MIN	NOM	MAX	UNIT
Supply voltage	VCC	8	24	28	V
Voltage	U, V, W	-0.7		29	V
	SCL, SDA, FG, SPEED, DIR	-0.1	3.3	3.6	
	PGND, GND	-0.1		0.1	
Current	Step-down regulator output current (buck mode)			100	mA
	Step-down regulator output current (linear mode)			0	
	V3P3 LDO output current			5	
Operating junction temperature, T <sub>J</sub>		-40		125	°C

### 7.4 Thermal Information

THERMAL METRIC <sup>(1)</sup>		DRV10983, DRV10983Z		UNIT
		PWP (HTSSOP)		
		24 PINS		
R <sub>θJA</sub>	Junction-to-ambient thermal resistance	36.1		°C/W
R <sub>θJC(top)</sub>	Junction-to-case (top) thermal resistance	17.4		°C/W
R <sub>θJB</sub>	Junction-to-board thermal resistance	14.8		°C/W
Ψ <sub>JT</sub>	Junction-to-top characterization parameter	0.4		°C/W
Ψ <sub>JB</sub>	Junction-to-board characterization parameter	14.5		°C/W
R <sub>θJC(bot)</sub>	Junction-to-case (bottom) thermal resistance	1.1		°C/W

- (1) For more information about traditional and new thermal metrics, see the [Semiconductor and IC Package Thermal Metrics application report](#).

## 7.5 Electrical Characteristics

over operating ambient temperature range (unless otherwise noted)

PARAMETER		TEST CONDITIONS	MIN	TYP	MAX	UNIT
<b>SUPPLY CURRENT (DRV10983)</b>						
$I_{VCC}$	Supply current	$T_A = 25^\circ\text{C}$ ; sleepDis = 1; SPEED = 0 V; $V_{(VCC)} = 24\text{ V}$ ; buck regulator		3.5	5	mA
		$T_A = 25^\circ\text{C}$ ; sleepDis = 1; SPEED = 0 V; $V_{(VCC)} = 24\text{ V}$ ; linear regulator		11		
$I_{VCCSTBY}$	Standby current	$T_A = 25^\circ\text{C}$ ; SPEED = 0 V; $V_{(VCC)} = 24\text{ V}$ ; standby mode device; buck regulator		3	4	mA
		$T_A = 25^\circ\text{C}$ ; SPEED = 0 V; $V_{(VCC)} = 24\text{ V}$ ; standby mode device; linear regulator		9		
<b>SUPPLY CURRENT (DRV10983Z)</b>						
$I_{VCC}$	Supply current	$T_A = 25^\circ\text{C}$ ; sleepDis = 1; SPEED = 0 V; $V_{(VCC)} = 24\text{ V}$ ; buck regulator		3.5	5	mA
		$T_A = 25^\circ\text{C}$ ; sleepDis = 1; SPEED = 0 V; $V_{(VCC)} = 24\text{ V}$ ; linear regulator		11		
$I_{VCCSLEEP}$	Sleep current	$T_A = 25^\circ\text{C}$ ; SPEED = 0 V; $V_{(VCC)} = 24\text{ V}$ ; sleep mode device; buck regulator		160	200	$\mu\text{A}$
<b>UVLO</b>						
$V_{UVLO\_R}$	UVLO threshold voltage	Rise threshold, $T_A = 25^\circ\text{C}$	7	7.4	8	V
$V_{UVLO\_F}$	UVLO threshold voltage	Fall threshold, $T_A = 25^\circ\text{C}$	6.7	7.1	7.5	V
$V_{UVLO\_HYS}$	UVLO threshold voltage hysteresis	$T_A = 25^\circ\text{C}$	200	300	400	mV
<b>LDO OUTPUT</b>						
V3P3		$V_{(VCC)} = 24\text{ V}$ , $T_A = 25^\circ\text{C}$ , VregSel = 0, 5-mA load	3	3.3	3.6	V
		$V_{(VCC)} = 24\text{ V}$ , $T_A = 25^\circ\text{C}$ , VregSel = 1, $V_{(VREG)} < 3.3\text{ V}$ , 5-mA load	$V_{(VREG)} - 0.3$	$V_{(VREG)} - 0.1$	$V_{(VREG)}$	
		$V_{(VCC)} = 24\text{ V}$ , $T_A = 25^\circ\text{C}$ , VregSel = 1, $V_{(VREG)} \geq 3.3\text{ V}$ , 5-mA load	3	3.3	3.6	
$I_{V3P3\_MAX}$	Maximum load from V3P3	$V_{(VCC)} = 24\text{ V}$ , $T_A = 25^\circ\text{C}$		5		mA
V1P8		$V_{(VCC)} = 24\text{ V}$ , $T_A = 25^\circ\text{C}$ , VregSel = 0	1.6	1.78	2	V
		$V_{(VCC)} = 24\text{ V}$ , $T_A = 25^\circ\text{C}$ , VregSel = 1	1.6	1.78	2	
<b>STEP-DOWN REGULATOR</b>						
$V_{REG}$	Regulator output voltage	$T_A = 25^\circ\text{C}$ ; VregSel = 0, $L_{SW} = 47\text{ }\mu\text{H}$ , $C_{SW} = 10\text{ }\mu\text{F}$ , $I_{load} = 50\text{ mA}$	4.5	5	5.5	V
		$T_A = 25^\circ\text{C}$ ; VregSel = 1, $L_{SW} = 47\text{ }\mu\text{H}$ , $C_{SW} = 10\text{ }\mu\text{F}$ , $I_{load} = 50\text{ mA}$	3.06	3.4	3.6	
$V_{REG\_L}$	Regulator output voltage (linear mode)	$T_A = 25^\circ\text{C}$ , VregSel = 0, $R_{SW} = 39\text{ }\Omega$ , $C_{SW} = 10\text{ }\mu\text{F}$		5		V
		$T_A = 25^\circ\text{C}$ , VregSel = 1, $R_{SW} = 39\text{ }\Omega$ , $C_{SW} = 10\text{ }\mu\text{F}$		3.4		
$I_{REG\_MAX}$	Maximum load from $V_{REG}$	$T_A = 25^\circ\text{C}$ , $L_{SW} = 47\text{ }\mu\text{H}$ , $C_{SW} = 10\text{ }\mu\text{F}$		100		mA
<b>INTEGRATED MOSFET</b>						
$r_{DS(on)}$	Series resistance (H + L)	$T_A = 25^\circ\text{C}$ ; $V_{(VCC)} = 24\text{ V}$ ; $V_{(VCP)} = 29\text{ V}$ ; $I_{out} = 1\text{ A}$		0.25	0.4	$\Omega$
		$T_A = 85^\circ\text{C}$ ; $V_{(VCC)} = 24\text{ V}$ ; $V_{(VCP)} = 29\text{ V}$ ; $I_{out} = 1\text{ A}$		0.325		
<b>SPEED – ANALOG MODE</b>						
$V_{ANA\_FS}$	Analog full-speed voltage			$V_{(V3P3)} \times 0.9$		V
$V_{ANA\_ZS}$	Analog zero-speed voltage			100		mV
$t_{SAM}$	Analog speed sample period			320		$\mu\text{s}$
$V_{ANA\_RES}$	Analog voltage resolution			5.8		mV
<b>SPEED – PWM DIGITAL MODE</b>						



## Electrical Characteristics (continued)

over operating ambient temperature range (unless otherwise noted)

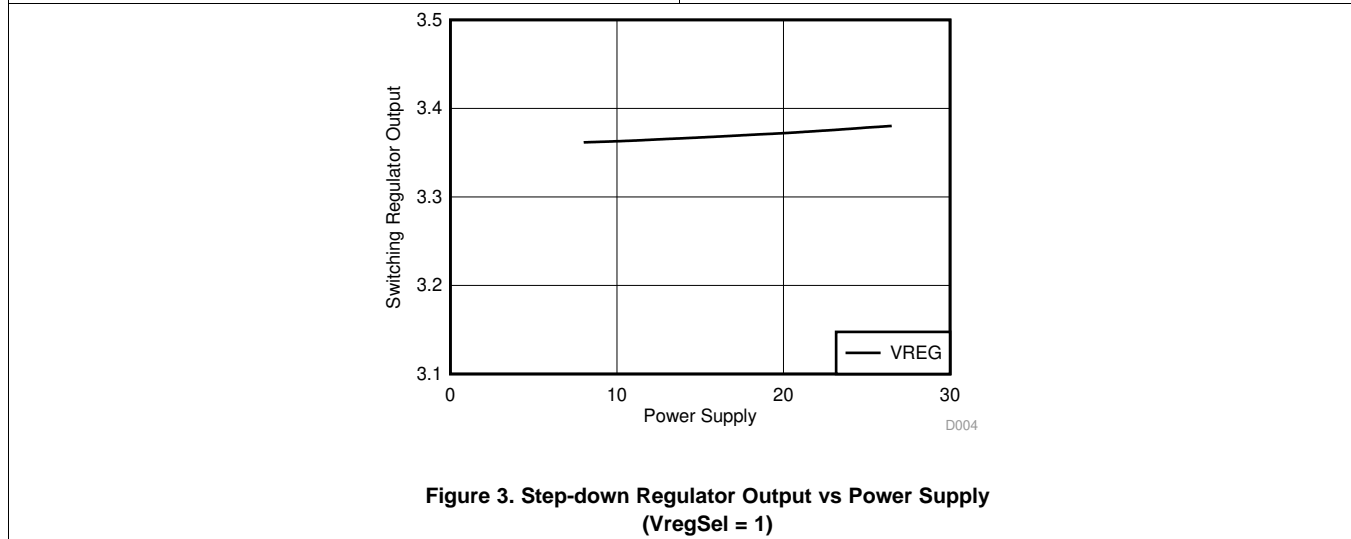
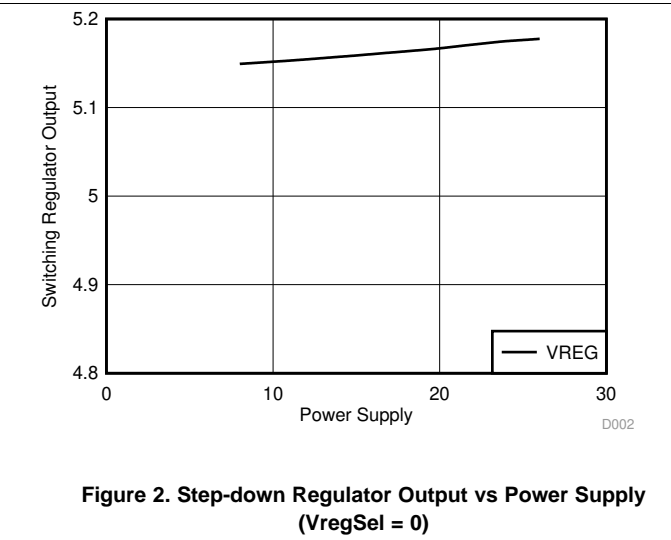
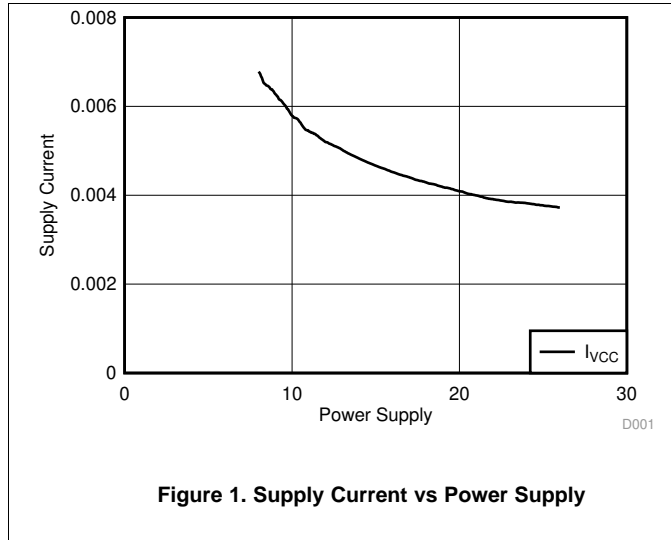
PARAMETER		TEST CONDITIONS	MIN	TYP	MAX	UNIT
V <sub>DIG_IH</sub>	PWM input high voltage		2.2			V
V <sub>DIG_IL</sub>	PWM input low voltage				0.6	V
f <sub>PWM</sub>	PWM input frequency		1		100	kHz
<b>STANDBY MODE (DRV10983)</b>						
V <sub>EN_SB</sub>	Analog voltage-to-enter standby mode	SpdCtrlMd = 0 (analog mode)	30			mV
V <sub>EX_SB</sub>	Analog voltage-to-exit standby	SpdCtrlMd = 0 (analog mode)		120		mV
t <sub>EX_SB_ANA</sub>	Time-to-exit from standby mode	SpdCtrlMd = 0 (analog mode) SPEED > V <sub>EX_SB</sub>		700		ms
t <sub>EX_SB_DR_ANA</sub>	Time taken to drive motor after exiting from standby mode	SpdCtrlMd = 0 (analog mode) SPEED > V <sub>EX_SB</sub> ; ISDen = 0; BrkDoneThr[2:0] = 0		1		µs
t <sub>EX_SB_PWM</sub>	Time-to-exit from standby mode	SpdCtrlMd = 1 (PWM mode) SPEED > V <sub>DIG_IH</sub>		1		µs
t <sub>EX_SB_DR_PWM</sub>	Time taken to drive motor after exiting from standby mode	SpdCtrlMd = 1 (PWM mode) SPEED > V <sub>DIG_IH</sub> ; ISDen = 0; BrkDoneThr[2:0] = 0		55		ms
t <sub>EN_SB_ANA</sub>	Time-to-enter standby mode	SpdCtrlMd = 0 (analog mode) SPEED < V <sub>EN_SB</sub> ; AvSIndEn = 0		5		ms
t <sub>EN_SB_PWM</sub>	Time-to-enter standby mode	SpdCtrlMd = 1 (PWM mode) SPEED < V <sub>DIG_IL</sub> ; AvSIndEn = 0		60		ms
<b>SLEEP MODE (DRV10983Z)</b>						
V <sub>EN_SL</sub>	Analog voltage-to-enter sleep	SpdCtrlMd = 0 (analog mode)	30			mV
V <sub>EX_SL</sub>	Analog voltage-to-exit sleep	SpdCtrlMd = 0 (analog mode)	2.2	3.3		V
t <sub>EX_SL_ANA</sub>	Time-to-exit from sleep mode	SpdCtrlMd = 0 (analog mode) SPEED > V <sub>EX_SL</sub>		1		µs
t <sub>EX_SL_DR_ANA</sub>	Time taken to drive motor after exiting from sleep mode	SpdCtrlMd = 0 (analog mode) SPEED > V <sub>EX_SL</sub> ; ISDen = 0; BrkDoneThr[2:0] = 0		350		µs
t <sub>EX_SL_PWM</sub>	Time-to-exit from sleep mode	SpdCtrlMd = 1 (PWM mode) SPEED > V <sub>DIG_IH</sub>		1		µs
t <sub>EX_SL_DR_PWM</sub>	Time taken to drive motor after exiting from sleep mode	SpdCtrlMd = 1 (PWM mode) SPEED > V <sub>DIG_IH</sub> ; ISDen = 0; BrkDoneThr[2:0] = 0		350		ms
t <sub>EN_SL_ANA</sub>	Time-to-enter sleep mode	SpdCtrlMd = 0 (analog mode) SPEED < V <sub>EN_SL</sub> ; AvSIndEn = 0		5.2		ms
t <sub>EN_SL_PWM</sub>	Time-to-enter sleep mode	SpdCtrlMd = 1 (PWM mode) SPEED < V <sub>DIG_IL</sub> ; AvSIndEn = 0		58		ms
R <sub>PD_SPEED_SL</sub>	Internal SPEED pin pulldown resistance to ground	V <sub>SPEED</sub> = 0 (sleep mode)	55			kΩ
<b>DIGITAL I/O (DIR INPUT AND FG OUTPUT)</b>						
V <sub>DIR_H</sub>	Input high		2.2			V
V <sub>DIR_L</sub>	Input low				0.6	V
I <sub>FG_SINK</sub>	Output sink current	V <sub>out</sub> = 0.3 V	5			mA
<b>I<sup>2</sup>C SERIAL INTERFACE</b>						
V <sub>I2C_H</sub>	Input high		2.2			V
V <sub>I2C_L</sub>	Input low				0.6	V
<b>LOCK DETECTION RELEASE TIME</b>						
t <sub>LOCK_OFF</sub>	Lock release time			5		s
t <sub>LCK_ETR</sub>	Lock enter time			0.3		s

**Electrical Characteristics (continued)**

over operating ambient temperature range (unless otherwise noted)

PARAMETER		TEST CONDITIONS	MIN	TYP	MAX	UNIT
<b>OVERCURRENT PROTECTION</b>						
$I_{OC\_limit}$	Overcurrent protection	$T_A = 25^\circ\text{C}$ ; phase to phase	3	4		A
<b>THERMAL SHUTDOWN</b>						
$T_{SDN}$	Shutdown temperature threshold	Shutdown temperature		150		$^\circ\text{C}$
$T_{SDN\_HYS}$	Shutdown temperature threshold	Hysteresis		10		$^\circ\text{C}$
<b>BEMF COMPARATOR</b>						
$BEMF_{HYS}$	BEMF comparator hysteresis	$bemfHsyEn = 1$		50		mV
<b>OPEN DRAIN OUTPUTS (FG, SDA)</b>						
$V_{OL}$	Output logic low voltage	$I_O = 5\text{ mA}$	21.4	36.7	66.0	mV

## 7.6 Typical Characteristics



## 8 Detailed Description

### 8.1 Overview

The DRV10983 is a three-phase sensorless motor driver with integrated power MOSFETs, which provide drive current capability up to 2 A continuous. The device is specifically designed for low-noise, low external component count, 12- to 24-V motor drive applications. The device is configurable through a simple I<sup>2</sup>C interface to accommodate different motor parameters and spin-up profiles for different customer applications.

A 180° sensorless control scheme provides continuous sinusoidal output voltages to the motor phases to enable ultra-quiet motor operation by keeping the electrically induced torque ripple small.

The DRV10983 features extensive protection and fault detect mechanisms to ensure reliable operation. Voltage surge protection prevents the input V<sub>CC</sub> capacitor from overcharging, which is typical during motor deceleration. The device provides phase to phase overcurrent protection without the need for an external current sense resistor. Rotor lock detect is available through several methods. These methods can be configured with register settings to ensure reliable operation. The device provides additional protection for undervoltage lockout (UVLO) and for thermal shutdown.

The commutation control algorithm continuously measures the motor phase current and periodically measures the V<sub>CC</sub> supply voltage. The device uses this information for BEMF estimation, and the information is also provided through the I<sup>2</sup>C register interface for debug and diagnostic use in the system, if desired.

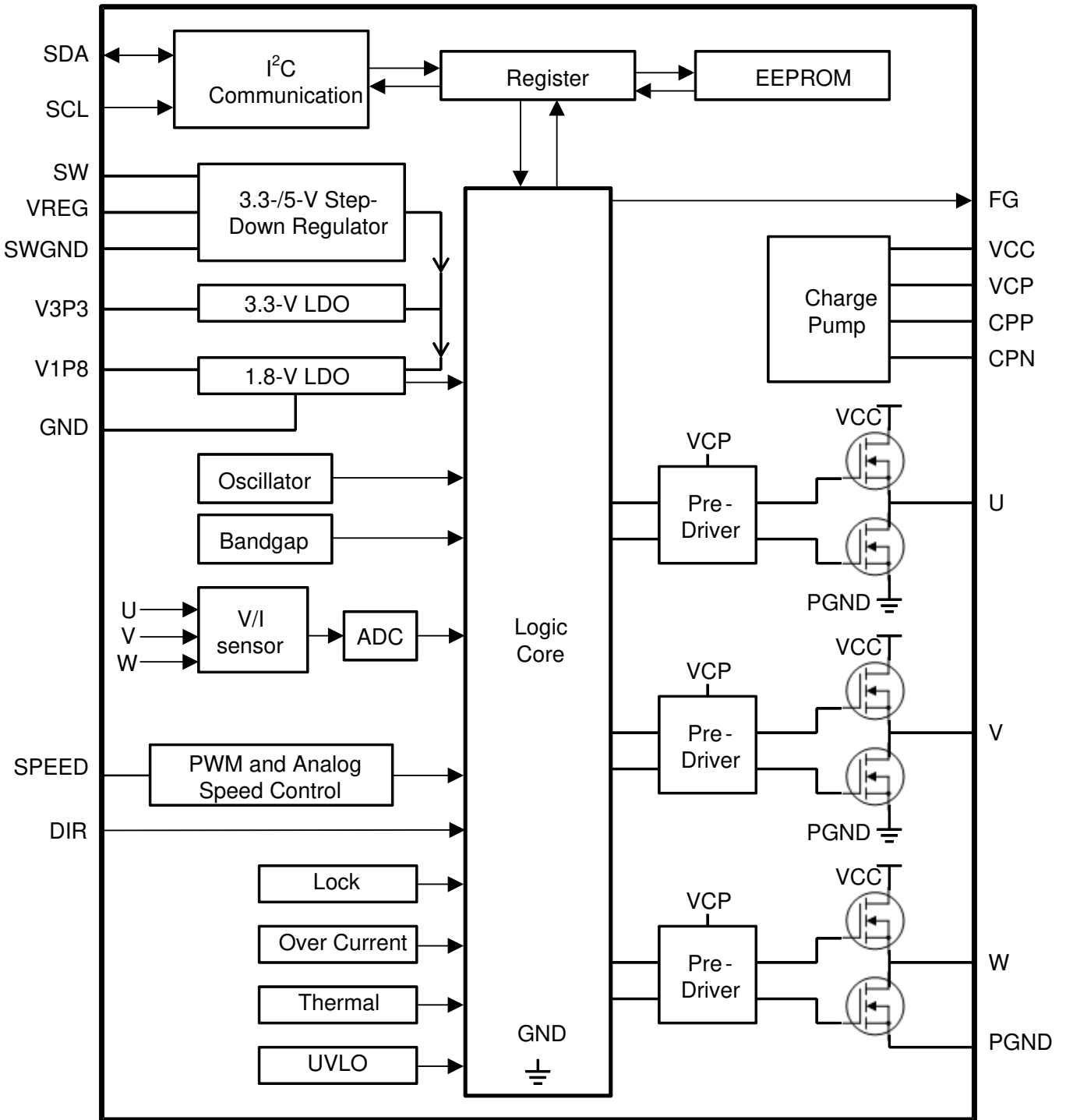
A buck step-down regulator efficiently steps down the supply voltage. The output of this regulator provides power for the internal circuits and can also be used to provide power for an external circuit such as a microcontroller. If providing power for an external circuit is not necessary (and to reduce system cost), configure the buck step-down regulator as a linear regulator by replacing the inductor with resistor.

TI designed the interfacing to the DRV10983 to be flexible. In addition to the I<sup>2</sup>C interface, the system can use the discrete FG pin, DIR pin, and SPEED pin. SPEED is the speed command input pin. It controls the output voltage amplitude. DIR is the direction control input pin. FG is the speed indicator output, which shows the frequency of the motor commutation.

EEPROM is integrated in the DRV10983 as memory for the motor parameter and operation settings. EEPROM data transfers to the register after power on and exit from sleep mode.

The DRV10983 device can also operate in register mode. If the system includes a microcontroller communicating through the I<sup>2</sup>C interface, the device can dynamically update the motor parameter and operation settings by writing to the registers. In this configuration, the EEPROM data is bypassed by the register settings.

### 8.2 Functional Block Diagram



## 8.3 Feature Description

### 8.3.1 Regulators

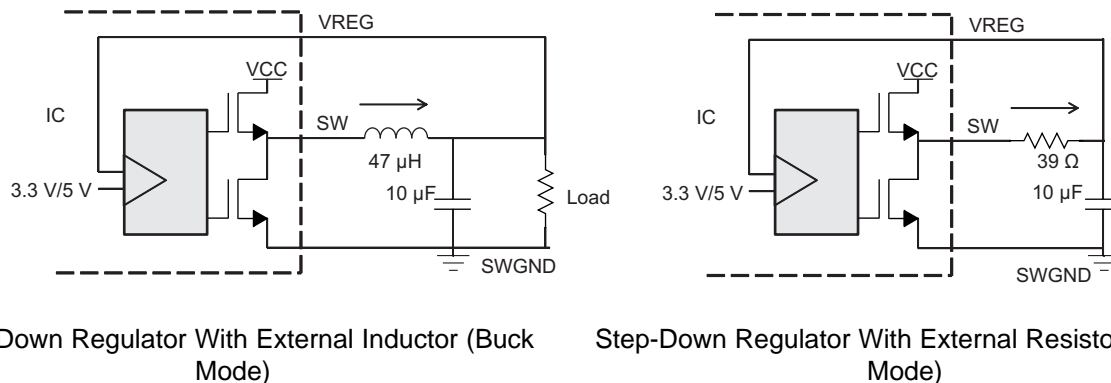
#### 8.3.1.1 Step-Down Regulator

The DRV10983 includes a hysteretic step-down voltage regulator that can be operated as either a switching buck regulator using an external inductor or as a linear regulator using an external resistor (see [Figure 4](#)). The best efficiency is achieved when the step-down regulator is in buck mode. However, the DRV10983Z device (sleep mode version) only operates with the step-down regulator in linear mode and with a Zener diode as described in the [Typical Application](#) section. The regulator output voltage can be configured by register bit VregSel. When VregSel = 0, the regulator output voltage is 5 V, and when VregSel = 1, the regulator output voltage is 3.3 V. It is recommended to configure the step-down voltage regulator Vreg at 5 V for a cleaner and lower acoustic (low harmonics) phase currents. When the regulated voltage drops by the hysteresis level, the high-side FET turns on to increase the regulated voltage back to the target of 3.3 V or 5 V. The switching frequency of the hysteretic regulator is not constant and changes with the load.

If the step-down regulator is configured in buck mode, see  $I_{REG\_MAX}$  in the [Electrical Characteristics](#) to determine the amount of current provided for external load. If the step-down regulator is configured as linear mode, it is used for the device internal circuit only.

#### NOTE

The DRV10983Z step-down regulator only operates in linear mode (using an external resistor) and with a Zener diode as described in the [Typical Application](#) section. The DRV10983 device does not support buck mode (using an external inductor) as shown in [Figure 4](#).



**Figure 4. Step-Down Regulator Configurations**

#### 8.3.1.2 3.3-V and 1.8-V LDO

The DRV10983 includes a 3.3-V LDO and an 1.8-V LDO. The 3.3-V LDO is powered by Vreg and 1.8-V LDO is powered by 3.3-V LDO. The 1.8-V LDO is for internal circuit only. The 3.3-V LDO is mainly for internal circuits, but can also drive external loads not to exceed  $I_{V3P3\_MAX}$  listed in the [Electrical Characteristics](#). For example, it can work as a pullup voltage for the FG, DIR, SDA, and SCL interface.

Both V1P8 and V3P3 capacitor must be connected to GND.

### 8.3.2 Protection Circuits

#### 8.3.2.1 Thermal Shutdown

The DRV10983 has a built-in thermal shutdown function, which shuts down the device when junction temperature is more than  $T_{SDN}$  °C and recovers operating conditions when junction temperature falls to  $T_{SDN} - T_{SDN\_HYS}$  °C.

The OverTemp status bit (address 0x10 bit 7) is set during thermal shutdown.

## Feature Description (continued)

### 8.3.2.2 Undervoltage Lockout (UVLO)

The DRV10983 has a built-in UVLO function block. The hysteresis of UVLO threshold is  $V_{UVLO-HYS}$ . The device is locked out when  $V_{CC}$  is down to  $V_{UVLO-F}$  and woke up at  $V_{UVLO-R}$ .

### 8.3.2.3 Overcurrent Protection (OCP)

The overcurrent protection function acts to protect the device if the current, as measured from the FETs, exceeds the  $I_{OC-limit}$  threshold. It protects the device from phase-to-phase short-circuit conditions; the DRV10983 places the output drivers into a high-impedance state and maintains this condition until the overcurrent is no longer present. The OverCurr status bit (address 0x10 bit 5) is set.

The DRV10983 also provides acceleration current limit and lock detection current limit functions to protect the device and motor (see [Current Limit](#) and [Lock Detect and Fault Handling](#)).

### 8.3.2.4 Lock

When the motor is blocked or stopped by an external force, the lock protection is triggered, and the device stops driving the motor immediately. After the lock release time  $t_{LOCK\_OFF}$ , the DRV10983 resumes driving the motor again. If the lock condition is still present, it enters the next lock protection cycle until the lock condition is removed. With this lock protection, the motor and device does not get overheated or damaged due to the motor being locked (see [Lock Detect and Fault Handling](#)).

During lock condition, the MtrLck Status bit (address 0x10, bit 4) is set. To further diagnose, check the register FaultCode.

## 8.3.3 Motor Speed Control

The DRV10983 offers four methods for indirectly controlling the speed of the motor by adjusting the output voltage amplitude. This can be accomplished by varying the supply voltage ( $V_{CC}$ ) or by controlling the Speed Command. The Speed Command can be controlled in one of three ways. The user can set the Speed Command on the SPEED pin by adjusting either the PWM input (SPEED pin configured for PWM mode) or the analog input (SPEED pin configured for analog mode), or by writing the Speed Command directly through the I<sup>2</sup>C serial port to SpdCtrl[8:0]. The Speed Command is used to determine the PWM duty cycle output (PWM\_DCO) (see [Figure 5](#)).

The Speed Command may not always be equal to the PWM\_DCO because DRV10983 has implemented the AVS function (see [AVS Function](#)), the acceleration current limit function (see [Acceleration Current Limit](#)), and the closed loop accelerate function (see [Closed Loop Accelerate](#)) to optimize the control performance. These functions can limit the PWM\_DCO, which affects the output amplitude.

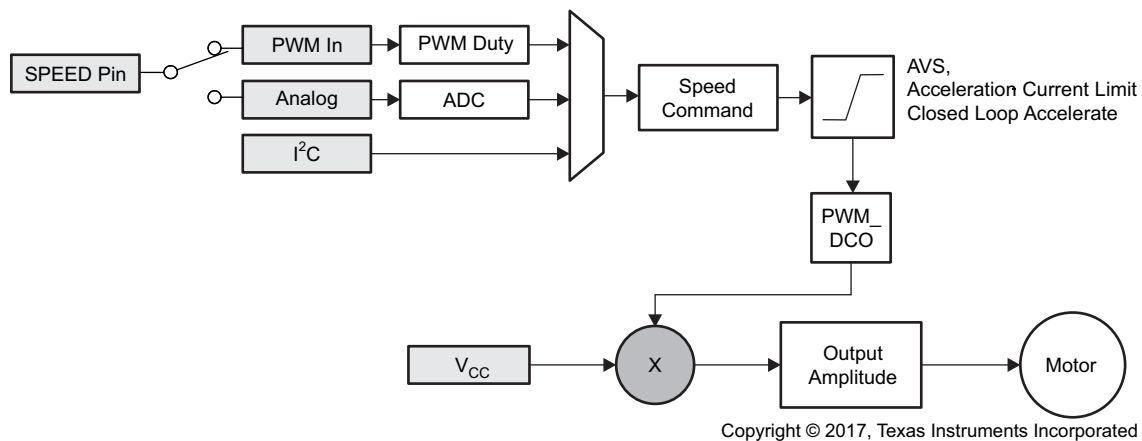


Figure 5. Multiplexing the Speed Command to the Output Amplitude Applied to the Motor

The output voltage amplitude applied to the motor is accomplished through sine wave modulation so that the phase-to-phase voltage is sinusoidal.

### Feature Description (continued)

When any phase is measured with respect to ground, the waveform is sinusoidally coupled with third-order harmonics. This encoding technique permits one phase to be held at ground while the other two phases are pulse-width modulated. Figure 6 and Figure 7 show the sinusoidal encoding technique used in the DRV10983.

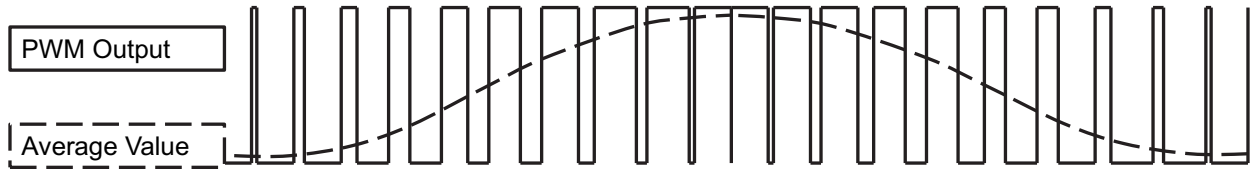
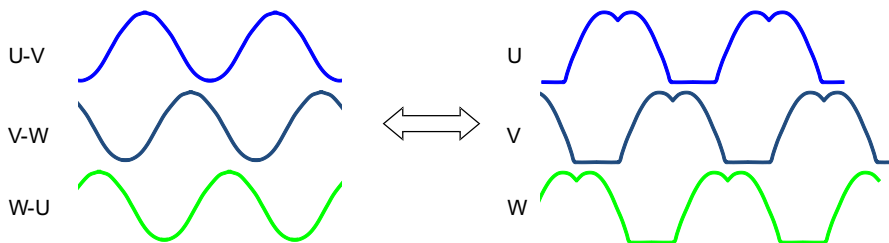


Figure 6. PWM Output and the Average Value



Sinusoidal voltage from phase to phase

Sinusoidal voltage with third order harmonics from phase to GND

Figure 7. Representing Sinusoidal Voltages With Third-Order Harmonic Output

The output amplitude is determined by the magnitude of  $V_{CC}$  and the PWM duty cycle output (PWM\_DCO). The PWM\_DCO represents the peak duty cycle that is applied in one electrical cycle. The maximum amplitude is reached when PWM\_DCO is at 100%. The peak output amplitude is  $V_{CC}$ . When the PWM\_DCO is at 50%, the peak amplitude is  $V_{CC} / 2$  (see Figure 8).

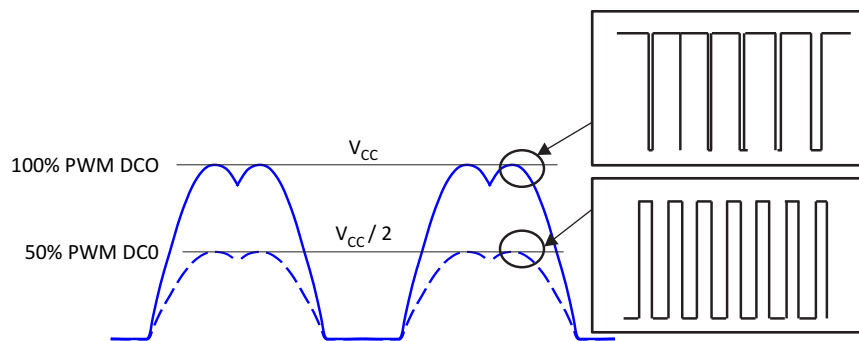


Figure 8. Output Voltage Amplitude Adjustment

#### 8.3.4 Sleep or Standby Condition

The DRV10983 is available in either a sleep mode or standby mode version. The DRV10983 enters either sleep or standby to conserve energy. When the device enters either sleep or standby, the motor stops driving. The step-down regulator is disabled in the sleep mode version to conserve more energy. The I<sup>2</sup>C interface is disabled and any register data not stored in EEPROM will be reset. The step-down regulator remains active in the standby mode version. The register data is maintained, and the I<sup>2</sup>C interface remains active.

Setting sleepDis = 1 prevents the device from entering into the sleep or standby condition. If the device has already entered into sleep or standby condition, setting sleepDis = 1 will not take it out of the sleep or standby condition. During a sleep or standby condition, the Slp\_Stdb status bit (address 0x10, bit 6) will be set.



## Feature Description (continued)

For different speed command modes, [Table 1](#) shows the timing and command to enter the sleep or standby condition.

**Table 1. Conditions to Enter or Exit Sleep or Standby Condition**

SPEED COMMAND MODE	ENTER STANDBY CONDITION	ENTER SLEEP CONDITION	EXIT FROM STANDBY CONDITION	EXIT FROM SLEEP CONDITION
Analog	SPEED pin voltage < $V_{EN\_SB}$ for $t_{EN\_SB\_ANA}$	SPEED pin voltage < $V_{EN\_SL}$ for $t_{EN\_SL\_ANA}$	SPEED pin voltage > $V_{EX\_SB}$ for $t_{EX\_SB\_ANA}$	SPEED pin voltage > $V_{EX\_SL}$ for $t_{EX\_SL\_ANA}$
PWM	SPEED pin low ( $V < V_{DIG\_IL}$ ) for $t_{EN\_SB\_PWM}$	SPEED pin low ( $V < V_{DIG\_IL}$ ) for $t_{EN\_SL\_PWM}$	SPEED pin high ( $V > V_{DIG\_IH}$ ) for $t_{EX\_SB\_PWM}$	SPEED pin high ( $V > V_{DIG\_IH}$ ) for $t_{EX\_SL\_PWM}$
I <sup>2</sup> C	SpdCtrl[8:0] is programmed as 0 for $t_{EN\_SB\_PWM}$	SpdCtrl[8:0] is programmed as 0 for $t_{EN\_SL\_PWM}$	SpdCtrl[8:0] is programmed as non-zero for $t_{EX\_SB\_PWM}$	SPEED pin high ( $V > V_{DIG\_IH}$ ) for $t_{EX\_SL\_PWM}$ (PWM mode) or SPEED pin voltage > $V_{EX\_SL}$ for $t_{EX\_SL\_ANA}$ (Analog mode)

Speed pin in DRV10983 (Standby version) and DRV10983Z (sleep version) should be in known state (pulled high or low) when the speed is controlled via I<sup>2</sup>C.

Note that using the analog speed command, a higher voltage is required to exit from the sleep condition than the standby condition. The I<sup>2</sup>C speed command cannot take the device out of the sleep condition because I<sup>2</sup>C communication is disabled during the sleep condition.

### 8.3.5 Non-Volatile Memory

The DRV10983 has 96-bits of EEPROM data, which are used to program the motor parameters as described in the [I<sup>2</sup>C Serial Interface](#).

The procedure for programming the EEPROM is as follows. TI recommends to perform the EEPROM programming without the motor spinning, power cycle after the EEPROM write, and read back the EEPROM to verify the programming is successful.

1. Set Sldata = 1.
2. Write the desired motor parameters into the corresponding registers (address 0x20:0x2B) (see [I<sup>2</sup>C Serial Interface](#)).
3. Write 1011 0110 (0xB6) to enProgKey in the DevCtrl register.
4. Ensure that  $V_{CC}$  is at or above 22 V.
5. Write eeWrite = 1 in EECtrl register to start the EEPROM programming.

The programming time is about 24 ms, and eeWrite bit is reset to 0 when programming is done.

## 8.4 Device Functional Modes

This section includes the logic required to be able to reliably start and drive the motor. It describes the processes used in the logic core and provides the information needed to effectively configure the parameters to work over a wide range of applications.

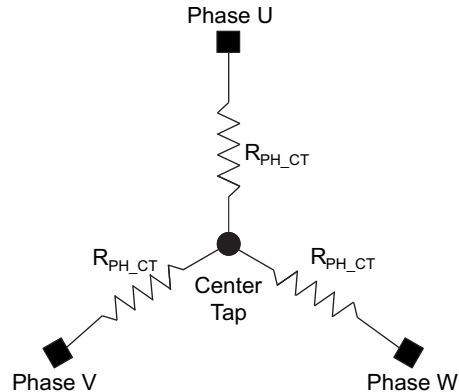
### 8.4.1 Motor Parameters

For the motor parameter measurement, see the [DRV10983 and DRV10975 Tuning Guide](#).

The motor phase resistance and the BEMF constant (Kt) are two important parameters used to characterize a BLDC motor. The DRV10983 requires these parameters to be configured in the register. The motor phase resistance is programmed by writing the values for Rm[6:0] in the MotorParam1 register. The BEMF constant is programmed by writing the values for Kt[6:0] in the MotorParam2 register.

#### 8.4.1.1 Motor Phase Resistance

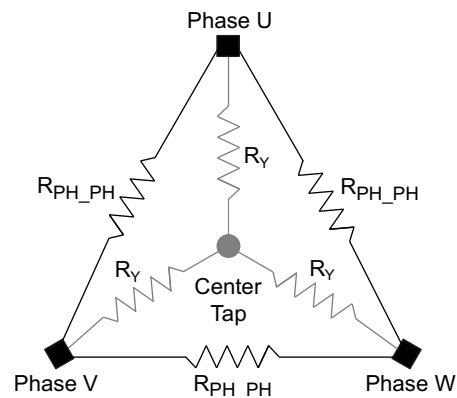
For a wye-connected motor, the motor phase resistance refers to the resistance from the phase output to the center tap,  $R_{PH\_CT}$  (see [Figure 9](#)).

**Device Functional Modes (continued)**

**Figure 9. Wye-Connected Motor Phase Resistance**

For a delta-connected motor, the motor phase resistance refers to the equivalent phase to center tap in the wye configuration, which is represented as  $R_Y$ .  $R_{PH\_CT} = R_Y$  (see [Figure 10](#)).

For both the delta-connected motor and the wye-connected motor, calculating the equivalent  $R_{PH\_CT}$  is easy by measuring the resistance between two phase terminals ( $R_{PH\_PH}$ ), and then dividing this value by two as shown in [Equation 1](#).

$$R_{PH\_CT} = \frac{1}{2}R_{PH\_PH} \quad (1)$$


**Figure 10. Delta-Connected Motor and the Equivalent Wye Connections**

The motor phase resistance ( $R_{PH\_CT}$ ) must be converted to a 7-bit digital register value  $Rm[6:0]$  to program the motor phase resistance value. The digital register value can be determined as follows:

1. Convert the motor phase resistance ( $R_{PH\_CT}$ ) to a digital value where the LSB is weighted to represent 9.67 m $\Omega$ :  $R_{mdig} = R_{PH\_CT} / 0.00967$ .
2. Encode the digital value such that  $R_{mdig} = Rm[3:0] \ll Rm[6:4]$ .

The maximum resistor value,  $R_{PH\_CT}$ , that can be programmed for the DRV10983 is 18.5  $\Omega$ , which represents  $R_{mdig} = 1920$  and an encoded  $Rm[6:0]$  value of 0x7Fh. The minimum resistor the DRV10983 supports is 0.029  $\Omega$ ,  $R_{PH\_CT}$ , which represents  $R_{mdig} = 3$ .

## Device Functional Modes (continued)

For convenience, the encoded value for Rm[6:0] can also be obtained from [Table 2](#).

**Table 2. Motor Phase Resistance Look-Up Table**

R <sub>PH_CT</sub> (Ω)	RM[6:0]	HEX	R <sub>PH_CT</sub> (Ω)	RM[6:0]	HEX	R <sub>PH_CT</sub> (Ω)	RM[6:0]	HEX
0.0000	000 0000	00	0.309	010 1000	28	2.47	101 1000	58
0.0097	000 0001	01	0.348	010 1001	29	2.78	101 1001	59
0.0193	000 0010	02	0.387	010 1010	2A	3.09	101 1010	5A
0.029	000 0011	03	0.426	010 1011	2B	3.4	101 1011	5B
0.0387	000 0100	04	0.464	010 1100	2C	3.71	101 1100	5C
0.0484	000 0101	05	0.503	010 1101	2D	4.02	101 1101	5D
0.058	000 0110	06	0.542	010 1110	2E	4.33	101 1110	5E
0.0677	000 0111	07	0.58	010 1111	2F	4.64	101 1111	5F
0.0774	000 1000	08	0.619	011 1000	38	4.95	110 1000	68
0.087	000 1001	09	0.696	011 1001	39	5.57	110 1001	69
0.0967	000 1010	0A	0.773	011 1010	3A	6.18	110 1010	6A
0.106	000 1011	0B	0.851	011 1011	3B	6.8	110 1011	6B
0.116	000 1100	0C	0.928	011 1100	3C	7.42	110 1100	6C
0.126	000 1101	0D	1	011 1101	3D	8.04	110 1101	6D
0.135	000 1110	0E	1.08	011 1110	3E	8.66	110 1110	6E
0.145	000 1111	0F	1.16	011 1111	3F	9.28	110 1111	6F
0.155	001 1000	18	1.23	100 1000	48	9.9	111 1000	78
0.174	001 1001	19	1.39	100 1001	49	11.1	111 1001	79
0.193	001 1010	1A	1.54	100 1010	4A	12.3	111 1010	7A
0.213	001 1011	1B	1.7	100 1011	4B	13.6	111 1011	7B
0.232	001 1100	1C	1.85	100 1100	4C	14.8	111 1100	7C
0.251	001 1101	1D	2.01	100 1101	4D	16	111 1101	7D
0.271	001 1110	1E	2.16	100 1110	4E	17.3	111 1110	7E
0.29	001 1111	1F	2.32	100 1111	4F	18.5	111 1111	7F

### 8.4.1.2 BEMF Constant

The BEMF constant, Kt[6:0] describes the motors phase-to-phase BEMF voltage as a function of the motor velocity.

The measured BEMF constant (Kt) needs to be converted to a 7-bit digital register value Kt[6:0] to program the BEMF constant value. The digital register value can be determined as follows:

1. Convert the measured Kt to a weighted digital value:  $K_{t_{ph\_dig}} = 1090 \times Kt$
2. Encode the digital value such that  $K_{t_{ph\_dig}} = Kt[3:0] \ll Kt[4:6]$ .

The maximum Kt that can be programmed is 1760 mV/Hz. This represents a digital value of 1920 and an encoded Kt[6:0] value of 0x7Fh. The minimum Kt that can be programmed is 0.92 mV/Hz, which represents a digital value of 1 and an encoded Kt[6:0] value of 0x01h.

For convenience, the encoded value of Kt[6:0] may also be obtained from [Table 3](#).

**Table 3. BEMF Constant Look-Up Table**

Kt (mV/Hz)	Kt[6:0]	HEX	Kt (mV/Hz)	Kt [6:0]	HEX	Kt (mV/Hz)	Kt [6:0]	HEX
0	000 0000	00	29.3	010 1000	28	234	101 1000	58
0.92	000 0001	01	33	010 1001	29	264	101 1001	59
1.83	000 0010	02	36.6	010 1010	2A	293	101 1010	5A
2.75	000 0011	03	40.3	010 1011	2B	322	101 1011	5B
3.66	000 0100	04	44	010 1100	2C	352	101 1100	5C
4.58	000 0101	05	47.7	010 1101	2D	381	101 1101	5D
5.5	000 0110	06	51.3	010 1110	2E	411	101 1110	5E
6.42	000 0111	07	55	010 1111	2F	440	101 1111	5F
7.33	000 1000	08	58.7	011 1000	38	469	110 1000	68
8.25	000 1001	09	66	011 1001	39	528	110 1001	69
9.17	000 1010	0A	73.3	011 1010	3A	587	110 1010	6A
10	000 1011	0B	80.7	011 1011	3B	645	110 1011	6B
11	000 1100	0C	88	011 1100	3C	704	110 1100	6C
11.9	000 1101	0D	95.4	011 1101	3D	763	110 1101	6D
12.8	000 1110	0E	102	011 1110	3E	822	110 1110	6E
13.7	000 1111	0F	110	011 1111	3F	880	110 1111	6F
14.6	001 1000	18	117	100 1000	48	939	111 1000	78
16.5	001 1001	19	132	100 1001	49	1050	111 1001	79
18.3	001 1010	1A	146	100 1010	4A	1170	111 1010	7A
20.1	001 1011	1B	161	100 1011	4B	1290	111 1011	7B
22	001 1100	1C	176	100 1100	4C	1400	111 1100	7C
23.8	001 1101	1D	190	100 1101	4D	1520	111 1101	7D
25.6	001 1110	1E	205	100 1110	4E	1640	111 1110	7E
27.5	001 1111	1F	220	100 1111	4F	1760	111 1111	7F

### 8.4.2 Starting the Motor Under Different Initial Conditions

The motor can be in one of three states when the DRV10983 attempts to begin the start-up process. The motor may be stationary, or spinning in the forward or reverse directions. The DRV10983 includes a number of features to allow for reliable motor start under all of these conditions. [Figure 11](#) shows the motor start-up flow for each of the three initial motor states.

#### 8.4.2.1 Case 1 – Motor Is Stationary

If the motor is stationary, the commutation logic must be initialized to be in phase with the position of the motor. The DRV10983 provides for two options to initialize the commutation logic to the motor position. Initial position detect (IPD) determines the position of the motor based on the deterministic inductance variation, which is often present in BLDC motors. The Align and Go technique forces the motor into alignment by applying a voltage across a particular motor phase to force the motor to rotate in alignment with this phase. The following sections explain how to configure these techniques for use in the designer's system.

#### 8.4.2.2 Case 2 – Motor Is Spinning in the Forward Direction

If the motor is spinning forward with enough velocity, the DRV10983 may be configured to go directly into closed loop. By resynchronizing to the spinning motor, the user achieves the fastest possible start-up time for this initial condition.

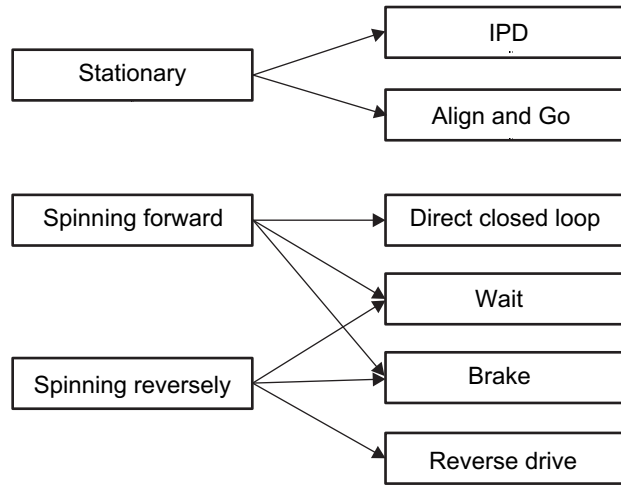
**8.4.2.3 Case 3 – Motor Is Spinning in the Reverse Direction**

If the motor is spinning in the reverse direction, the DRV10983 provides several methods to convert it back to forward direction.

One method, reverse drive, allows the motor to be driven so that it accelerates through zero velocity. The motor achieves the shortest possible spin-up time in systems where the motor is spinning in the reverse direction.

If this feature is not selected, then the DRV10983 may be configured to either wait for the motor to stop spinning or brake the motor. After the motor has stopped spinning, the motor start-up sequence proceeds as it would for a motor which is stationary.

Take care when using the feature reverse drive or brake to ensure that the current is limited to an acceptable level and that the supply voltage does not surge as a result of energy being returned to the power supply.



**Figure 11. Start the Motor Under Different Initial Conditions**

### 8.4.3 Motor Start Sequence

Figure 12 shows the motor start sequence implemented in the DRV10983.

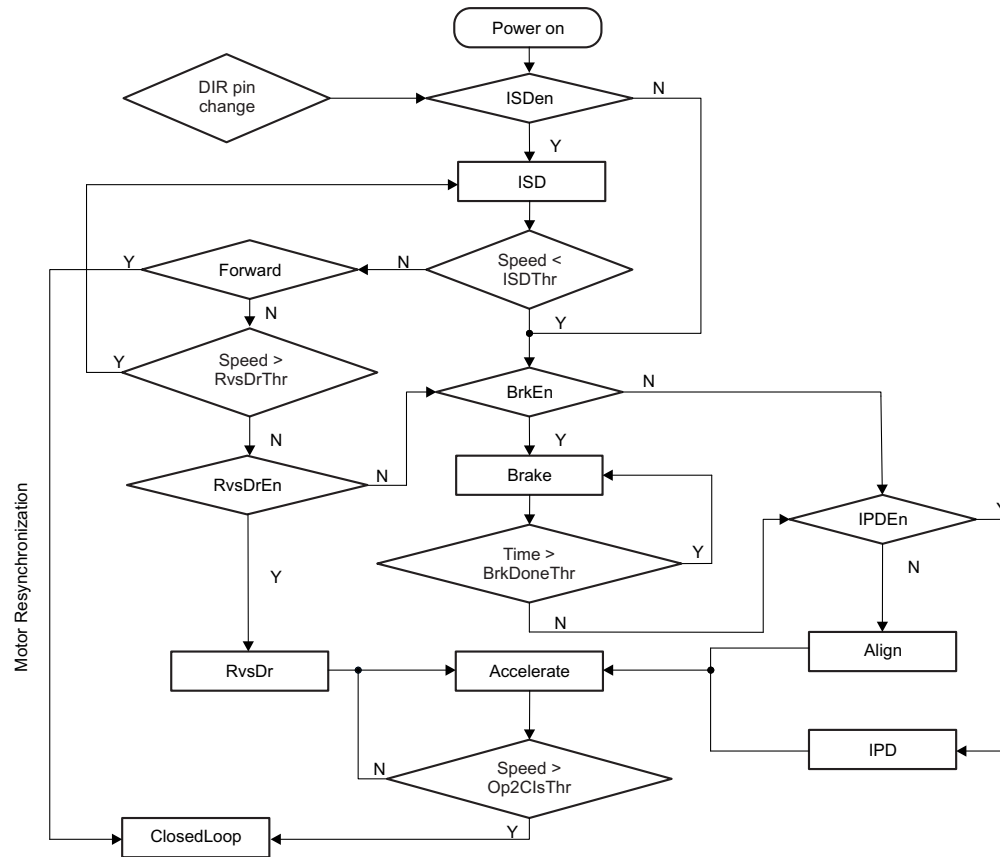


Figure 12. Motor Starting-Up Flow

**Power-On State** This is the initial power-on state of the motor start sequencer (MSS). The MSS starts in this state on initial power-up or whenever the DRV10983 comes out of either standby or sleep modes.

**ISDen Judgment** After power on, the DRV10983 MSS enters the ISDen Judgment where it checks to see if the Initial Speed Detect (ISD) function is enabled (ISDen = 1). If ISD is disabled, the MSS proceeds directly to the BrkEn Judgment. If ISD is enabled, the motor start sequence advances to the ISD state.

**ISD State** The MSS determines the initial condition of the motor (see [ISD](#)).

**Speed<ISDThr Judgment** If the motor speed is lower than the threshold defined by ISDThr[1:0], then the motor is considered to be stationary and the MSS proceeds to the BrkEn judgment. If the speed is greater than the threshold defined by ISDThr[1:0], the start sequence proceeds to the Forward judgment.

**Forward Judgment** The MSS determines whether the motor is spinning in the forward or the reverse direction. If the motor is spinning in the forward direction, the DRV10983 executes the resynchronization (see [Motor Resynchronization](#)) process by transitioning directly into the ClosedLoop state. If the motor is spinning in the reverse direction, the MSS proceeds to the Speed>RvsDrThr.

**Speed>RvsDrThr Judgment** The motor start sequencer checks to see if the reverse speed is greater than the threshold defined by RvsDrThr[2:0]. If it is, then the MSS returns to the ISD state to allow the motor to decelerate. This prevents the DRV10983 from attempting to reverse drive or brake a motor that is spinning too quickly. If the reverse speed of the motor is less than the threshold defined by RvsDrThr[2:0], then the MSS advances to the RvsDrEn judgment.

**RvsDrEn Judgment** The MSS checks to see if the reverse drive function is enabled (RvsDrEn = 1). If it is, the MSS transitions into the RvsDr state. If the reverse drive function is not enabled, the MSS

advances to the BrkEn judgment.

**RvsDr State** The DRV10983 drives the motor in the forward direction to force it to rapidly decelerate (see [Reverse Drive](#)). When it reaches zero velocity, the MSS transitions to the Accelerate state.

**BrkEn Judgment** The MSS checks to determine whether the brake function is enabled ( $\text{BrkDoneThr}[2:0] \neq 000$ ). If the brake function is enabled, the MSS advances to the Brake state.

**Brake State** The device performs the brake function (see [Motor Brake](#)).

**Time>BrkDoneThr Judgment** The MSS applies brake for time configured by  $\text{BRKDoneThr}[2:0]$ . After brake state, the MSS advances to the IPDEn judgment.

**IPDEn Judgment** The MSS checks to see if IPD has been enabled ( $\text{IPDCurrThr}[3:0] \neq 0000$ ). If the IPD is enabled, the MSS transitions to the IPD state. Otherwise, it transitions to the align state.

**Align State** The DRV10983 performs align function (see [Align](#)). After the align completes, the MSS transitions to the Accelerate state.

**IPD State** The DRV10983 performs the IPD function. The IPD function is described in [Initial Position Detect \(IPD\)](#). After the IPD completes, the MSS transitions to the Accelerate state.

**Accelerate State** The DRV10983 accelerates the motor according to the setting  $\text{StAccel}$  and  $\text{StAccel2}$ . After applying the accelerate settings, the MSS advances to the Speed >  $\text{Op2ClsThr}$  judgment.

**Speed>Op2ClsThr Judgment** The motor accelerates until the drive rate exceeds the threshold configured by the  $\text{Op2ClsThr}[4:0]$  settings. When this threshold is reached, the DRV10983 enters into the ClosedLoop state.

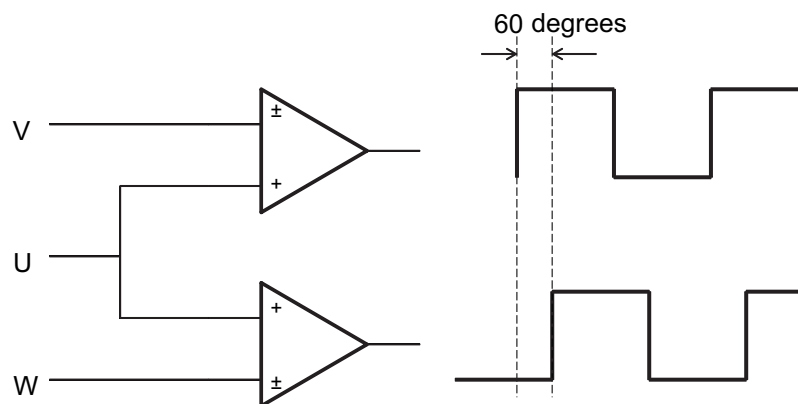
**ClosedLoop State** In this state, the DRV10983 drives the motor based on feedback from the commutation control algorithm.

**DIR Pin Change Judgment** If DIR pin get changed during any of above states, DRV10983 stops driving the motor and restarts from the beginning.

#### 8.4.3.1 ISD

The ISD function is used to identify the initial condition of the motor. If the function is disabled, the DRV10983 does not perform the initial speed detect function and treats the motor as if it is stationary.

Phase-to-phase comparators are used to detect the zero crossings of the BEMF voltage of the motor while it is coasting (motor phase outputs are in high-impedance state). [Figure 13](#) shows the configuration of the comparators.



**Figure 13. Initial Speed Detect Function**

If the UW comparator output is lagging the UV comparator by 60°, the motor is spinning forward. If the UW comparator output is leading the UV comparator by 60°, the motor is spinning in reverse.

The motor speed is determined by measuring the time between two rising edges of either of the comparators.

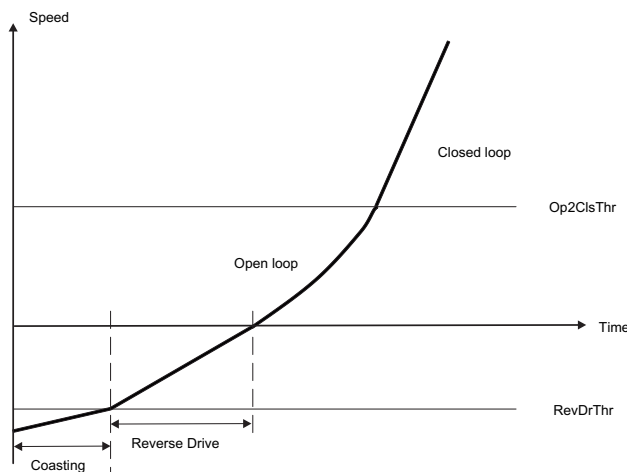
If neither of the comparator outputs toggle for a given amount of time, the condition is defined as stationary. The amount of time can be programmed by setting the register bits `ISDThr[1:0]`.

### 8.4.3.2 Motor Resynchronization

The resynchronize function works when the ISD function is enabled and determines that the initial state of the motor is spinning in the forward direction. The speed and position information measured during ISD are used to initialize the drive state of the DRV10983, which can transition directly into the closed loop running state without needing to stop the motor.

### 8.4.3.3 Reverse Drive

The ISD function measures the initial speed and the initial position; the DRV10983 reverse drive function acts to reverse accelerate the motor through zero speed and to continue accelerating until the closed loop threshold is reached (see [Figure 14](#)). If the reverse speed is greater than the threshold configured in `RvsDrThr[1:0]`, then the DRV10983 waits until the motor coasts to a speed that is less than the threshold before driving the motor to reverse accelerate.



**Figure 14. Reverse Drive Function**

Reverse drive is suitable for applications where the load condition is light at low speed and relatively constant and where the reverse speed is low (that is, a fan motor with little friction). For other load conditions, the motor brake function provides a method for helping force a motor which is spinning in the reverse direction to stop spinning before a normal start-up sequence.

### 8.4.3.4 Motor Brake

The motor brake function can be used to stop the spinning motor before attempting to start the motor. The brake is applied by turning on all three of the low-side driver FETs.

Brake is enabled by configuring non zero value for `BrkDoneThr[2:0]`. Braking is applied for time configured by `BrkDoneThr[2:0]` (reverse or forward). After the motor is stopped, the motor position is unknown. To proceed with restarting in the correct direction, the IPD or Align and Go algorithm needs to be implemented. The motor start sequence is the same as it would be for a motor starting in the stationary condition.

The motor brake function can be disabled. The motor skips the brake state and attempts to spin the motor as if it were stationary. If this happens while the motor is spinning in either direction, the start-up sequence may not be successful.

### 8.4.3.5 Motor Initialization

#### 8.4.3.5.1 Align

The DRV10983 aligns a motor by injecting dc current through a particular phase pattern which is current flowing into phase V, flowing out from phase W for a certain time (configured by `AlignTime[2:0]`). The current magnitude is determined by `OpenLCurr[1:0]`. The motor should be aligned at the known position.



The time of align affects the start-up timing (see [Start-Up Timing](#)). A bigger inertial motor requires longer align time.

#### 8.4.3.5.2 Initial Position Detect (IPD)

The inductive sense method is used to determine the initial position of the motor when IPD is enabled. IPD is enabled by selecting IPDCurrThr[3:0] to any value other than 0000.

IPD can be used in applications where reverse rotation of the motor is unacceptable. Because IPD does not need to wait for the motor to align with the commutation, it can allow for a faster motor start sequence. IPD works well when the inductance of the motor varies as a function of position. Because it works by pulsing current to the motor, it can generate acoustics which must be taken into account when determining the best start method for a particular application.

##### 8.4.3.5.2.1 IPD Operation

The IPD operates by sequentially applying voltage across two of the three motor phases according to the following sequence: VW WV UV VU WU UW (see [Figure 15](#)). When the current reaches the threshold configured in IPDCurrThr[3:0], the voltage across the motor is stopped. The DRV10983 measures the time it takes from when the voltage is applied until the current threshold is reached. The time varies as a function of the inductance in the motor windings. The state with the shortest time represents the state with the minimum inductance. The minimum inductance is because of the alignment of the north pole of the motor with this particular driving state.

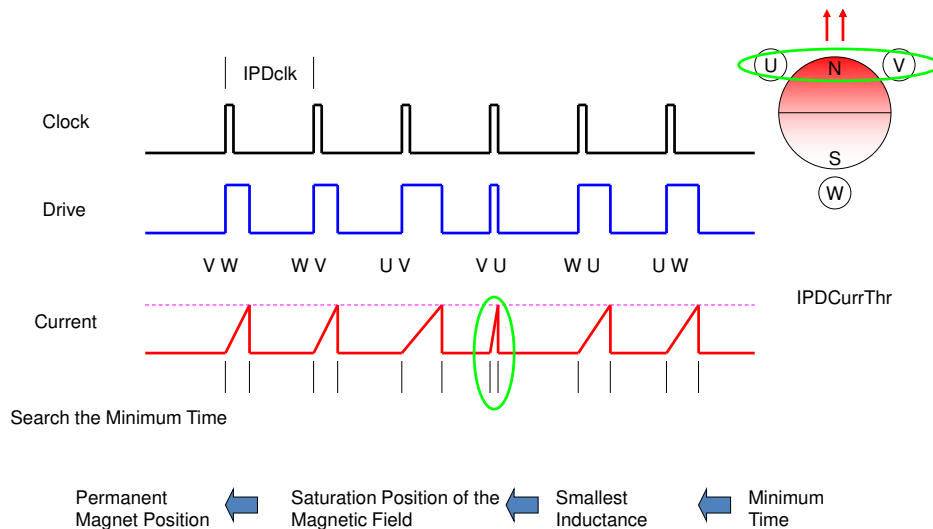


Figure 15. IPD Function

##### 8.4.3.5.2.2 IPD Release Mode

Two options are available for stopping the voltage applied to the motor when the current threshold is reached. If IPDRIsMd = 0, the recirculate mode is selected. The low-side (S6) MOSFET remains on to allow the current to recirculate between the MOSFET (S6) and body diode (S2) (see [Figure 16](#)). If IPDRIsMd = 1, the high-impedance (Hi-Z) mode is selected. Both the high-side (S1) and low-side (S6) MOSFETs are turned off and the current flies back across the body diodes into the power supply (see [Figure 17](#)).

The high-impedance mode has a faster settle-down time, but could result in a surge on  $V_{CC}$ . Manage this with appropriate selection of either a clamp circuit or by providing sufficient capacitance between  $V_{CC}$  and GND. If the voltage surge cannot be contained and if it is unacceptable for the application, then select the recirculate mode. When selecting the recirculate mode, select the IPDClk[1:0] bits to give the current in the motor windings enough time to decay to 0.

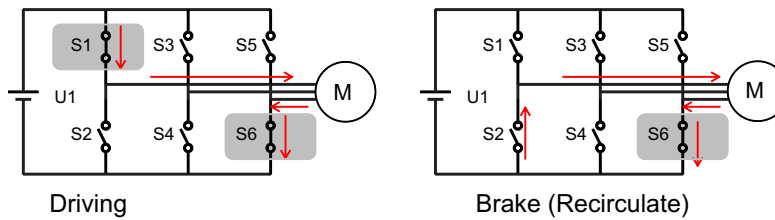


Figure 16. IPD Release Mode 0

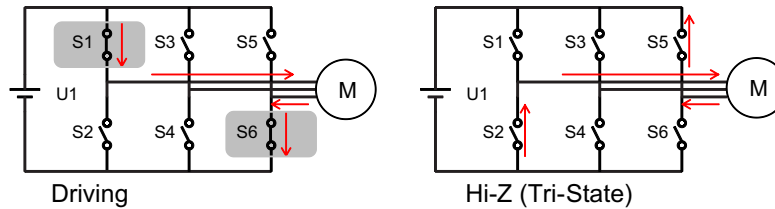


Figure 17. IPD Release Mode 1

#### 8.4.3.5.2.3 IPD Advance Angle

After the initial position is detected, the DRV10983 begins driving the motor at an angle specified by IPDAdvAgI[1:0].

Advancing the drive angle anywhere from 0° to 180° results in positive torque. Advancing the drive angle by 90° results in maximum initial torque. Applying maximum initial torque could result in uneven acceleration to the rotor. Select the IPDAdvAgI[1:0] to allow for smooth acceleration in the application (see Figure 18).

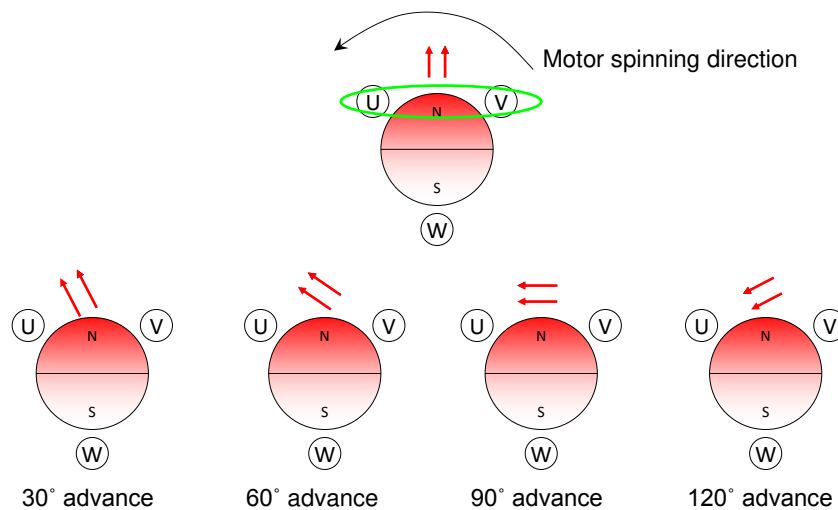


Figure 18. IPD Advance Angle

#### 8.4.3.5.3 Motor Start

After it is determined that the motor is stationary and after completing the motor initialization with either align or IPD, the DRV10983 begins to accelerate the motor. This acceleration is accomplished by applying a voltage determined by the open loop current setting (OpenLCurr[1:0]) to the appropriate drive state and by increasing the rate of commutation without regard to the real position of the motor (referred to as open loop operation). The function of the open loop operation is to drive the motor to a minimum speed so that the motor generates sufficient BEMF to allow the commutation control logic to accurately drive the motor.

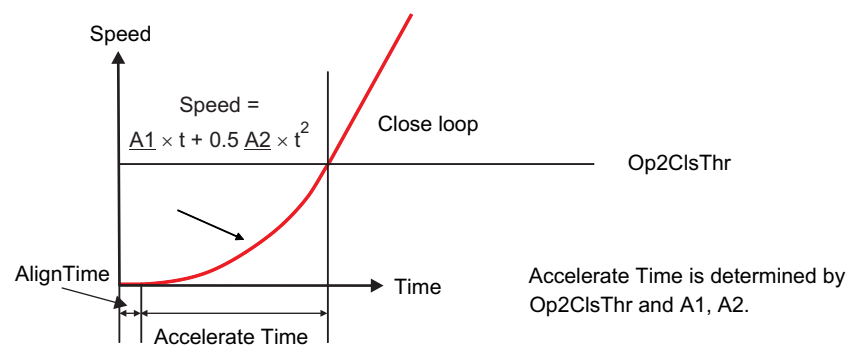
Table 4 lists the configuration options that can be set in register to optimize the initial motor acceleration stage for different applications.

**Table 4. Configuration Options for Controlling Open Loop Motor Start**

Description	Reg Name	ConfigBits	Min Value	Max Value
Open to closed loop threshold	SysOpt4	Op2ClsThr[4:0]	0.8 Hz	204.8 Hz
Align time	SysOpt4	AlignTime[2:0]	40 ms	5.3 s
First order accelerate	SysOpt3	StAccel[2:0]	0.3 Hz/s	76 Hz/s
Second order accelerate	SysOpt3	StAccel2[2:0]	0.22 Hz/s <sup>2</sup>	57 Hz/s <sup>2</sup>
Open loop current setting	SysOpt2	OpenLCurr[1:0]	200 mA	1.6 A
Open loop current ramping	SysOpt2	OpLCurrRt[2:0]	0.23 V <sub>CC</sub> /s	6 V <sub>CC</sub> /s

#### 8.4.3.6 Start-Up Timing

Start-up timing is determined by the align and accelerate time. The align time can be set by AlignTime[2:0], as described in [Register Definition](#). The accelerate time is defined by the open-to-closed loop threshold Op2ClsThr[4:0] along with the first order StAccel[2:0](A1) and second order StAccel2[2:0](A2) acceleration coefficient. [Figure 19](#) shows the motor start-up process.



**Figure 19. Motor Start-Up Process**

Select the first order and second order acceleration coefficient to allow the motor to reliably accelerate from zero velocity up to the closed loop threshold in the shortest time possible. Using a slow acceleration coefficient during the first order accelerate stage can help improve reliability in applications where it is difficult to accurately initialize the motor with either align or IPD.

Select the open-to-closed loop threshold to allow the motor to accelerate to a speed that generates sufficient BEMF for closed loop control. This is determined by the velocity constant of the motor based on the relationship described in [Equation 2](#).

$$\text{BEMF} = K_t \times \text{speed (Hz)} \quad (2)$$

#### 8.4.4 Start-Up Current Setting

The start-up current setting is to control the peak start-up during open loop. During open loop operation, it is desirable to control the magnitude of drive current applied to the motor. This is helpful in controlling and optimizing the rate of acceleration. The limit takes effect during reverse drive, align, and acceleration.

The start current is set by programming the OpenLCurr[1:0] bits. The current should be selected to allow the motor to reliably accelerate to the handoff threshold. Heavier loads may require a higher current setting, but it should be noted that the rate of acceleration will be limited by the acceleration rate (StAccel[2:0], StAccel2[2:0]). If the motor is started with more current than necessary to reliably reach the handoff threshold, it results in higher power consumption.

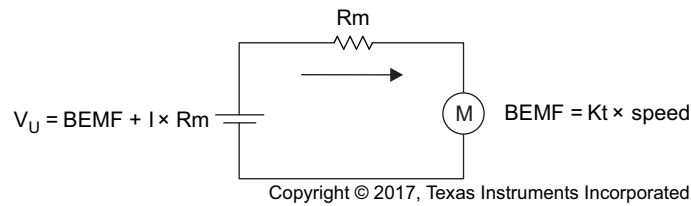
The start current is controlled based on the relationship shown in [Equation 3](#) and [Figure 20](#). The duty cycle applied to the motor is derived from the calculated value for U<sub>Limit</sub> and the magnitude of the supply voltage, V<sub>CC</sub>, as well as the drive state of the motor.

$$U_{\text{Limit}} = I_{\text{Limit}} \times R_m + \text{Speed (Hz)} \times K_t$$

where

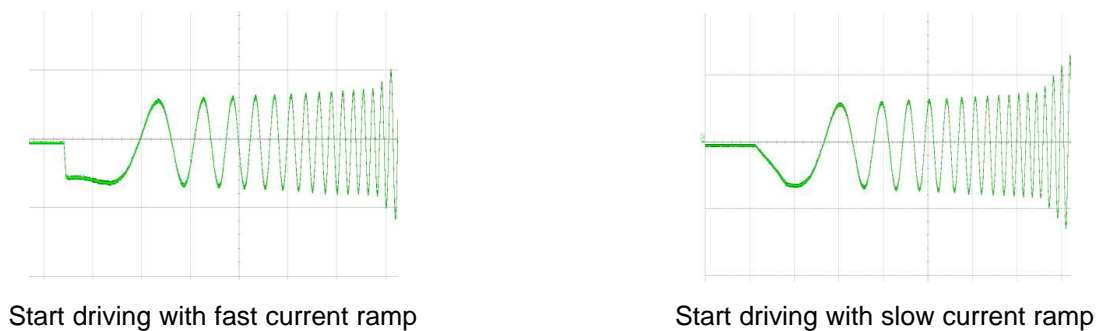
- I<sub>Limit</sub> is configured by OpenLCurr[1:0]

- $R_m$  is configured by  $R_m[6:0]$
  - Speed is variable based open-loop acceleration profile of the motor
  - $K_t$  is configured by  $K_t[6:0]$
- (3)


**Figure 20. Motor Start-Up Current**

#### 8.4.4.1 Start-Up Current Ramp-Up

A fast change in the applied drive current may result in a sudden change in the driving torque. In some applications, this could result in acoustic noise. To avoid this, the DRV10983 allows the option of limiting the rate at which the current is applied to the motor.  $OpLCurrRt[2:0]$  sets the maximum voltage ramp up rate that will be applied to the motor. The waveforms in [Figure 21](#) show how this feature can be used to gradually ramp the current applied to the motor.


**Figure 21. Motor Startup Current Ramp**

#### 8.4.5 Closed Loop

In closed loop operation, the DRV10983 continuously samples the current in the U phase of the motor and uses this information to estimate the BEMF voltage that is present. The drive state of the motor is controlled based on the estimated BEMF voltage.

##### 8.4.5.1 Half Cycle Control and Full Cycle Control

The estimated BEMF used to control the drive state of the motor has two zero-crosses every electrical cycle. The DRV10983 can be configured to update the drive state either once every electrical cycle or twice for every electrical cycle. When  $AdjMode$  is programmed to 1, half cycle adjustment is applied. The control logic is triggered at both rising edge and falling edge. When  $AdjMode$  is programmed to 0, full cycle adjustment is applied. The control logic is triggered only at the rising edge (see [Figure 22](#)).

Half cycle adjustment provides a faster response when compared with full cycle adjustment. Use half cycle adjustment whenever the application requires operation over large dynamic loading conditions. Use the full cycle adjustment for low current (<1 A) applications because it offers more tolerance for current measurement offset errors.

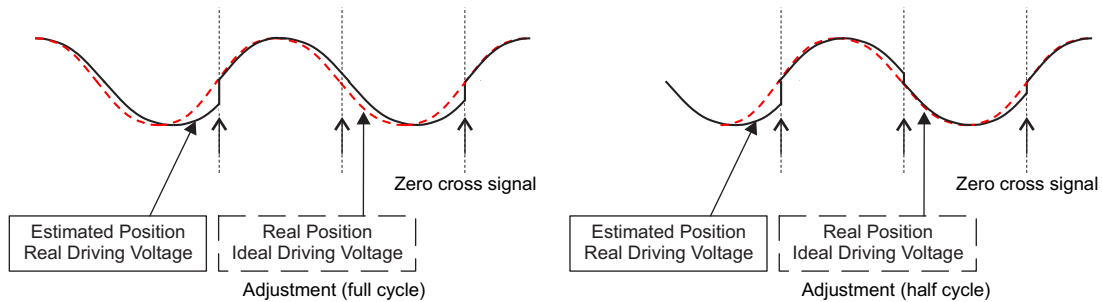


Figure 22. Closed Loop Control Commutation Adjustment Mode

#### 8.4.5.2 Analog Mode Speed Control

The SPEED input pin can be configured to operate as an analog input (SpdCtrlMd = 0).

When configured for analog mode, the voltage range on the SPEED pin can be varied from 0 to V<sub>3P3</sub>. If SPEED > V<sub>ANA\_FS</sub>, the speed command is maximum. If V<sub>ANA\_ZS</sub> ≤ SPEED < V<sub>ANA\_FS</sub> the speed command changes linearly according to the magnitude of the voltage applied at the SPEED pin. If SPEED < V<sub>ANA\_ZS</sub> the speed command is to stop the motor. Figure 23 shows the speed command when operating in analog mode.

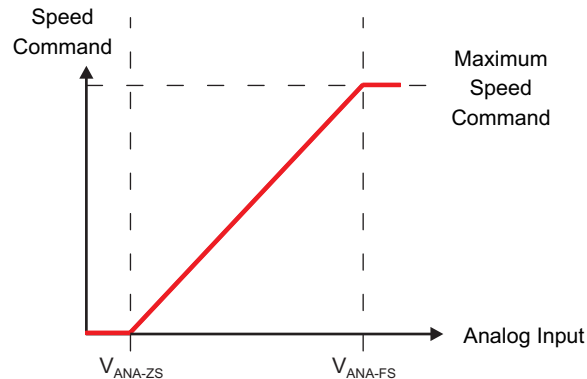


Figure 23. Analog Mode Speed Command

#### 8.4.5.3 Digital PWM Input Mode Speed Control

If SpdCtrlMd = 1, the SPEED input pin is configured to operate as a PWM-encoded digital input. The PWM duty cycle applied to the SPEED pin can be varied from 0 to 100%. The speed command is proportional to the PWM input duty cycle. The speed command stops the motor when the PWM input keeps at 0 for t<sub>EN\_SL\_PWM</sub> (see Figure 24).

The frequency of the PWM input signal applied to the SPEED pin is defined as f<sub>PWM</sub>. This is the frequency the device can accept to control motor speed. It does not correspond to the PWM output frequency that is applied to the motor phase. The PWM output frequency can be configured to be either 25 kHz when the DoubleFreq bit is set to 0 or to 50 kHz when DoubleFreq bit is set to 1.

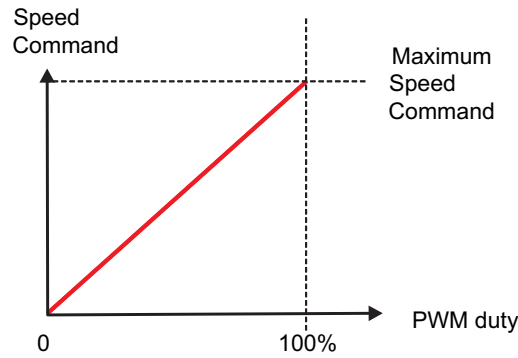


Figure 24. PWM Mode Speed Command

#### 8.4.5.4 I<sup>2</sup>C Mode Speed Control

The DRV10983 can also command the speed through the I<sup>2</sup>C serial interface. To enable this feature, the OverRide bit is set to 1. When the DRV10983 is configured to operate in I<sup>2</sup>C mode, it ignores the signal applied to the SPEED pin.

The speed command can be set by writing the SpdCtrl[8] and SpdCtrl[7:0] bits. The 9-bit SpdCtrl [8:0] located in the SpeedCtrl1 and SpeedCtrl2 registers are used to set the peak amplitude voltage applied to the motor. The maximum speed command is set when SpdCtrl [8:0] is set to 0x1FF (511).

When SpdCtrl [8] is written to the SpeedCtrl2 register, the data is stored, but the output is not changed. When SpdCtrl [7:0] is written to the SpeedCtrl1 register, the speed command is updated (see Figure 25).

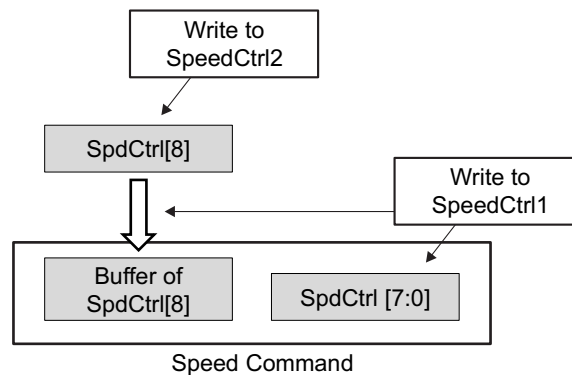


Figure 25. I<sup>2</sup>C Mode Speed Control

#### 8.4.5.5 Closed Loop Accelerate

To prevent sudden changes in the torque applied to the motor which could result in acoustic noise, the DRV10983 provides the option of limiting the maximum rate at which the speed command changes. ClsLpAccel[2:0] can be programmed to set the maximum rate at which the speed command changes (shown in Figure 26).

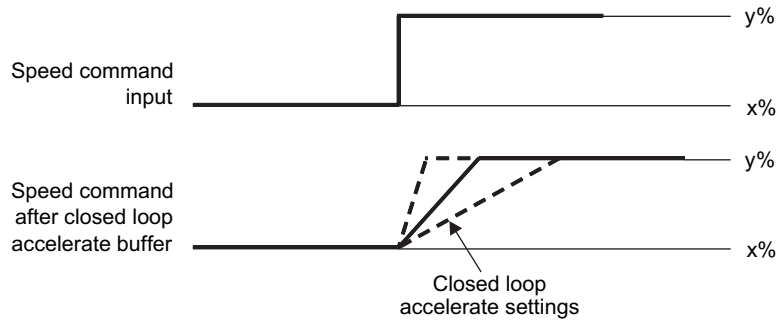


Figure 26. Closed-Loop Accelerate

#### 8.4.5.6 Control Coefficient

The DRV10983 continuously measures the motor current and uses this information to control the drive state of the motor when operating in closed loop mode. In applications where noise makes it difficult to control the commutation optimally, the CtrlCoef[1:0] can be used to attenuate the feedback used for closed loop control. The loop will be less reactive to the noise on the feedback and provide for a smoother output.

#### 8.4.5.7 Commutation Control Advance Angle

To achieve the best efficiency, it is often desirable to control the drive state of the motor so that the phase current of the motor is aligned with the BEMF voltage of the motor.

To align the phase current of the motor with the BEMF voltage of the motor, consider the inductive effect of the motor. The voltage applied to the motor should be applied in advance of the BEMF voltage of the motor (see Figure 27). The DRV10983 provides configuration bits for controlling the time ( $t_{adv}$ ) between the driving voltage and BEMF.

For motors with salient pole structures, aligning the motor BEMF voltage with the motor current may not achieve the best efficiency. In these applications, the timing advance should be adjusted accordingly. Accomplish this by operating the system at constant speed and load conditions and by adjusting the  $t_{adv}$  until the minimum current is achieved.

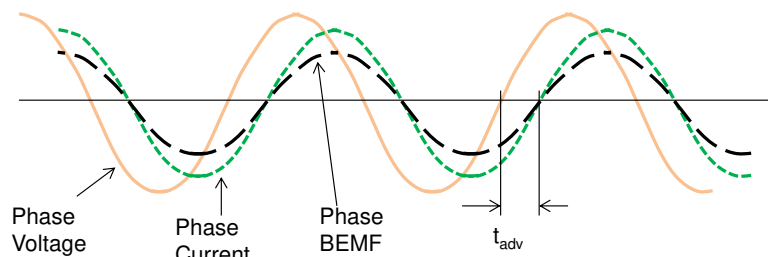


Figure 27. Advance Time ( $t_{adv}$ ) Definition

The DRV10983 has two options for adjusting the motor commutate advance time. When CtrlAdvMd = 0, mode 0 is selected. When CtrlAdvMd = 1, mode 1 is selected.

Mode 0:  $t_{adv}$  is maintained to be a fixed time relative to the estimated BEMF zero cross as determined by Equation 4.

$$t_{adv} = t_{SETTING} \tag{4}$$

Mode 1:  $t_{adv}$  is maintained to be a variable time relative to the estimated BEMF zero cross as determined by Equation 5.

$$t_{adv} = t_{SETTING} \times (U - BEMF) / U.$$

where

- U is the phase voltage amplitude
- BEMF is phase BEMF amplitude

$t_{\text{SETTING}}$  (in  $\mu\text{s}$ ) is determined by the configuration of the TCtrlAdv [6:4] and TCtrlAdv [3:0] bits as defined in Equation 6. For convenience, the available  $t_{\text{SETTING}}$  values are provided in Table 5.

$$t_{\text{SETTING}} = 2.5 \mu\text{s} \times [\text{TCtrlAdv}[3:0]] \ll \text{TCtrlAdv}[6:4] \quad (6)$$

**Table 5. Configuring Commutation Advance Timing by Adjusting  $t_{\text{SETTING}}$** 

$t_{\text{SETTING}}$ ( $\mu\text{s}$ )	TCtrlAdv [6:0]	HEX	$t_{\text{SETTING}}$ ( $\mu\text{s}$ )	TCtrlAdv [6:0]	HEX	$t_{\text{SETTING}}$ ( $\mu\text{s}$ )	TCtrlAdv [6:0]	HEX
0	000 0000	00	80	010 1000	28	640	101 1000	58
2.5	000 0001	01	90	010 1001	29	720	101 1001	59
5	000 0010	02	100	010 1010	2A	800	101 1010	5A
7.5	000 0011	03	110	010 1011	2B	880	101 1011	5B
10	000 0100	04	120	010 1100	2C	960	101 1100	5C
12.5	000 0101	05	130	010 1101	2D	1040	101 1101	5D
15	000 0110	06	140	010 1110	2E	1120	101 1110	5E
17.5	000 0111	07	150	010 1111	2F	1200	101 1111	5F
20	000 1000	08	160	011 1000	38	1280	110 1000	68
22.5	000 1001	09	180	011 1001	39	1440	110 1001	69
25	000 1010	0A	200	011 1010	3A	1600	110 1010	6A
27.5	000 1011	0B	220	011 1011	3B	1760	110 1011	6B
30	000 1100	0C	240	011 1100	3C	1920	110 1100	6C
32.5	000 1101	0D	260	011 1101	3D	2080	110 1101	6D
35	000 1110	0E	280	011 1110	3E	2240	110 1110	6E
37.5	000 1111	0F	300	011 1111	3F	2400	110 1111	6F
40	001 1000	18	320	100 1000	48	2560	111 1000	78
45	001 1001	19	360	100 1001	49	2880	111 1001	79
50	001 1010	1A	400	100 1010	4A	3200	111 1010	7A
55	001 1011	1B	440	100 1011	4B	3520	111 1011	7B
60	001 1100	1C	480	100 1100	4C	3840	111 1100	7C
65	001 1101	1D	520	100 1101	4D	4160	111 1101	7D
70	001 1110	1E	560	100 1110	4E	4480	111 1110	7E
75	001 1111	1F	600	100 1111	4F	4800	111 1111	7F

#### 8.4.6 Current Limit

The DRV10983 has several current limit modes to help ensure optimal control of the motor and to ensure safe operation. The various current limit modes are listed in Table 6. Acceleration current limit is used to provide a means of controlling the amount of current delivered to the motor. This is useful when the system needs to limit the amount of current pulled from the power supply during motor start-up. The lock detection current limit is a configurable threshold that can be used to limit the current applied to the motor. Overcurrent protection is used to protect the device; therefore, it cannot be disabled or configured to a different threshold. The current limit modes are described in the following sections.

**Table 6. DRV10983 Current Limit Modes**

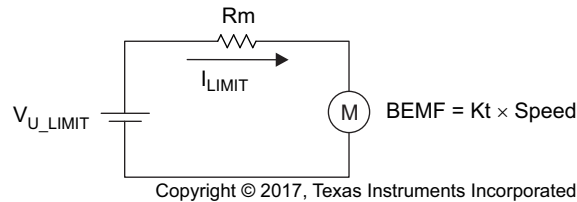
Current Limit Mode	Situation	Action	Fault Diagnose
Acceleration current limit	Motor start	Limit the output voltage amplitude	No fault
Lock detection current limit	Motor locked	Stop driving the motor and enter lock state	Mechanical rotation error
Overcurrent protection (OCP)	Phase to phase	Stop driving and recover when OC signal disappeared	Circuit connection



### 8.4.6.1 Acceleration Current Limit

The acceleration current limit limits the voltage applied to the motor to prevent the current from exceeding the programmed threshold. The acceleration current limit threshold is configured by writing the SWiLimitThr[3:0] bits to select  $I_{LIMIT}$ . The acceleration current limit does not use a direct measurement of current. It uses the programmed motor phase resistance,  $R_{PH\_CT}$ , and programmed BEMF constant,  $K_t$ , to limit the voltage applied to the motor,  $U$ , as shown in [Figure 28](#) and [Equation 7](#).

When the acceleration current limit is active, it does not stop the motor from spinning nor does it trigger a fault. The acceleration current limit function is only available in closed loop control.



**Figure 28. Acceleration Current Limit**

$$U_{LIMIT} = I_{LIMIT} \times R_{PH\_CT} + Speed \times K_t \quad (7)$$

### 8.4.7 Lock Detect and Fault Handling

The DRV10983 provides several options for determining if the motor becomes locked as a result of some external torque. Five lock detect schemes work together to ensure the lock condition is detected quickly and reliably. [Figure 29](#) shows the logic which integrates the various lock detect schemes. When a lock condition is detected, the DRV10983 device takes action to prevent continuously driving the motor in order to prevent damage to the system or the motor.

In addition to detecting if there is a locked motor condition, the DRV10983 also identifies and takes action if there is no motor connected to the system.

Each of the five lock-detect schemes and the no motor detection can be disabled by respective register bits LockEn[5:0].

When a lock condition is detected, the MtrLck in the Status register is set. The FaultCode register provides an indication of which of the six different conditions was detected on Lock5 to Lock0. These bits are reset when the motor restarts. The bits in the FaultCode register are set even if the lock detect scheme is disabled.

The DRV10983 reacts to either locked rotor or no motor connected conditions by putting the output drivers into a high-impedance state. To prevent the energy in the motor from pumping the supply voltage, the DRV10983 incorporates an anti-voltage-surge (AVS) process whenever the output stages transition into the high-impedance state. The AVS function is described in [AVS Function](#). After entering the high-impedance state as a result of a fault condition, the system tries to restart after  $t_{LOCK\_OFF}$ .

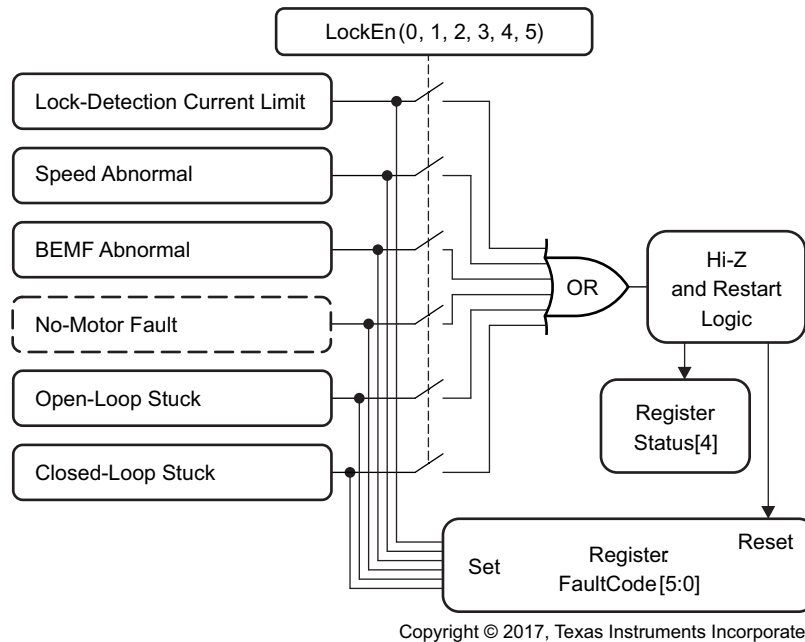


Figure 29. Lock Detect and Fault Diagnose

**8.4.7.1 Lock0: Lock Detection Current Limit Triggered**

The lock detection current limit function provides a configurable threshold for limiting the current to prevent damage to the system. This is often tripped in the event of a sudden locked rotor condition. The DRV10983 continuously monitors the current in the low-side drivers as shown in Figure 30. If the current goes higher than the threshold configured by the HWiLimitThr[2:0] bits, then the DRV10983 stops driving the motor by placing the output phases into a high-impedance state. The MtrLck bit is set and a lock condition is reported. It retries after  $t_{LOCK\_OFF}$ .

Set the lock detection current limit to a higher value than the acceleration current limit.

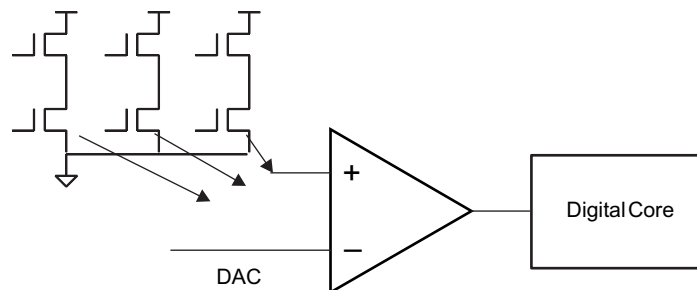


Figure 30. Lock Detection Current Limit

**8.4.7.2 Lock1: Abnormal Speed**

If motor is operating normally, the motor BEMF should always be less than output amplitude. The DRV10983 uses two methods of monitoring the BEMF in the system. The U phase current is monitored to maintain an estimate of BEMF based on the setting for Rm[6:0]. In addition, the BEMF is estimated based on the operation speed of the motor and the setting for Kt[6:0]. Figure 31 shows the method for using this information to detect a lock condition. If motor BEMF is much higher than output amplitude for a certain period of time,  $t_{LCK\_ETR}$ , it means the estimated speed is wrong, and the motor has gotten out of phase.

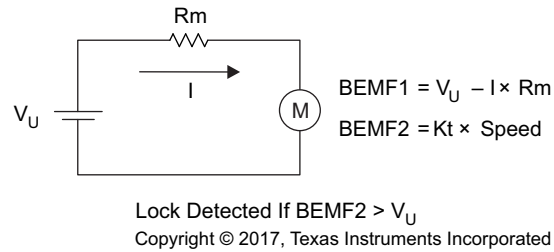


Figure 31. Lock Detection 1

#### 8.4.7.3 Lock2: Abnormal Kt

For any given motor, the integrated value of BEMF during half of an electrical cycle is constant. It is determined by BEMF constant ( $K_t$ ) (see Figure 32). It is true regardless of whether the motor is running fast or slow. This constant value is continuously monitored by calculation and used as criteria to determine the motor lock condition. It is referred to as  $K_{tc}$ .

Based on the  $K_t$  value programmed, create a range from  $K_{t\_low}$  to  $K_{t\_high}$ , if the  $K_{tc}$  goes beyond the range for a certain period of time,  $t_{LCK\_ETR}$ , lock is detected.  $K_{t\_low}$  and  $K_{t\_high}$  are determined by  $K_{tLckThr}[1:0]$  (see Figure 33).

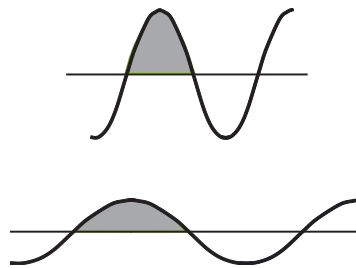


Figure 32. BEMF Integration

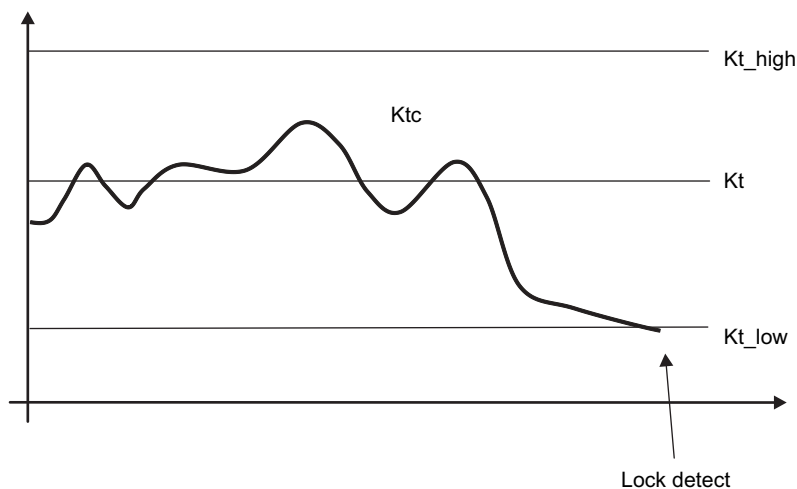
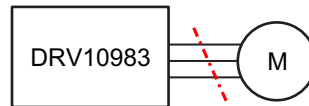


Figure 33. Abnormal Kt Lock Detect

#### 8.4.7.4 Lock3 (Fault3): No Motor Fault

The phase U current is checked after transitioning from open loop to closed loop. If phase U current is not greater than 140 mA then the motor is not connected as shown in Figure 34. This condition is treated and reported as a fault.



**Figure 34. No Motor Error**

#### 8.4.7.5 Lock4: Open Loop Motor Stuck Lock

Lock4 is used to detect locked motor conditions while the motor start sequence is in open loop.

For a successful startup, motor speed should equal to open to closed loop handoff threshold when the motor is transitioning into closed loop. However, if the motor is locked, the motor speed is not able to match the open loop drive rate.

If the motor BEMF is not detected for one electrical cycle after the open loop drive rate exceeds the threshold, then the open loop was unsuccessful as a result of a locked rotor condition.

#### 8.4.7.6 Lock5: Closed Loop Motor Stuck Lock

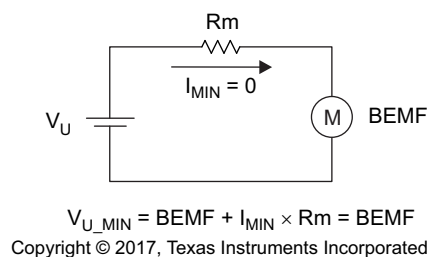
If the motor suddenly becomes locked, motor speed and Ktc are not able to be refreshed because motor BEMF zero cross may not appear after the lock. In this condition, lock can also be detected by the following scheme: if the current commutation period is 2x longer than the previous period.

### 8.4.8 AVS Function

When a motor is driven, energy is transferred from the power supply into it. Some of this energy is stored in the form of inductive energy or as mechanical energy. The DRV10983 includes circuits to prevent this energy from being returned to the power supply which could result in pumping up the  $V_{CC}$  voltage. This function is referred to as the AVS and acts to protect the DRV10983 as well as other circuits that share the same  $V_{CC}$  connection. Two forms of AVS protection are used to prevent both the mechanical energy or the inductive energy from being returned to the supply. Each of these modes can be independently disabled through the register configuration bits AVSMEn and AVSIndEn.

#### 8.4.8.1 Mechanical AVS Function

If the speed command suddenly drops such that the BEMF voltage generated by the motor is greater than the voltage that is applied to the motor, then the mechanical energy of the motor is returned to the power supply and the  $V_{CC}$  voltage surges. The mechanical AVS function works to prevent this from happening. The DRV10983 buffers the speed command value and limits the resulting output voltage,  $U_{MIN}$ , so that it is not less than the BEMF voltage of the motor. The BEMF voltage in the mechanical AVS function is determined using the programmed value for the Kt of the motor (Kt[6:0]) along with the speed. Figure 35 shows the criteria used by the mechanical AVS function.



**Figure 35. Mechanical AVS**

The mechanical AVS function can operate in one of two modes, which can be configured by the register bit AVSMMd:

AVSMMd = 0 – AVS mode is always active to prevent the applied voltage from being less than the BEMF voltage.

AVSMMd = 1 – AVS mode becomes active when  $V_{CC}$  reaches 24 V. The motor acts as a generator and returns energy into the power supply until  $V_{CC}$  reaches 24 V. This mode can be used to enable faster deceleration of the motor in applications where returning energy to the power supply is allowed.

### 8.4.9 PWM Output

The DRV10983 has 16 options for PWM dead time which can be used to configure the time between one of the bridge FETs turning off and the complementary FET turning on. Deadtime[3:0] can be used to configure dead times between 40 ns and 640 ns. Take care that the dead time is long enough to prevent the bridge FETs from shooting through. The recommend minimum dead time is 440 ns for 24-V VCC and 360 ns for 12-V VCC.

The DRV10983 offers two options for PWM switching frequency. When the configuration bit DoubleFreq is set to 0, the output PWM frequency will be 25 kHz and when DoubleFreq is set to 1, the output PWM frequency will be 50 kHz. It is recommended to operate the device in 25 kHz PWM switching frequency if there is an error in the estimated Kt around 30% duty cycle in 50 kHz PWM switching frequency.

### 8.4.10 FG Customized Configuration

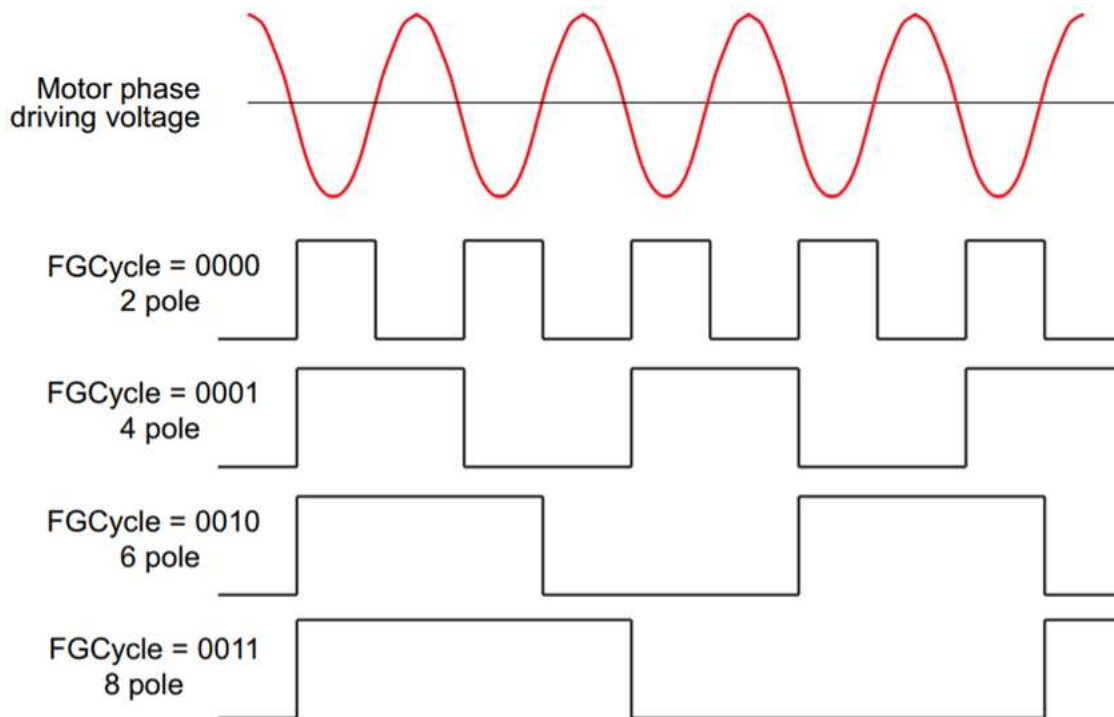
The DRV10983 provides information about the motor speed through the frequency generate (FG) pin. FG also provides information about the driving state of the DRV10983.

#### 8.4.10.1 FG Output Frequency

The FG output frequency can be configured by FGcycle[1:0]. The default FG toggles once every electrical cycle (FGcycle = 00). Many applications configure the FG output so that it provides two pulses for every mechanical rotation of the motor. The configuration bits provided in DRV10983 can accomplish this for 4-pole, 6-pole, 8-pole, and 12-pole motors, as shown in Figure 36.

Figure 36 shows the DRV10983 has been configured to provide FG pulses once every electrical cycle (4 pole), twice every three electrical cycle (6 pole), once every two electrical cycles (8 pole), and once every three electrical cycles (12 pole).

Note that when it is set to 2 FG pulses every three electrical cycles, the FG output is not 50% duty cycle. Motor speed is able to be measured by monitoring the rising edge of the FG output.



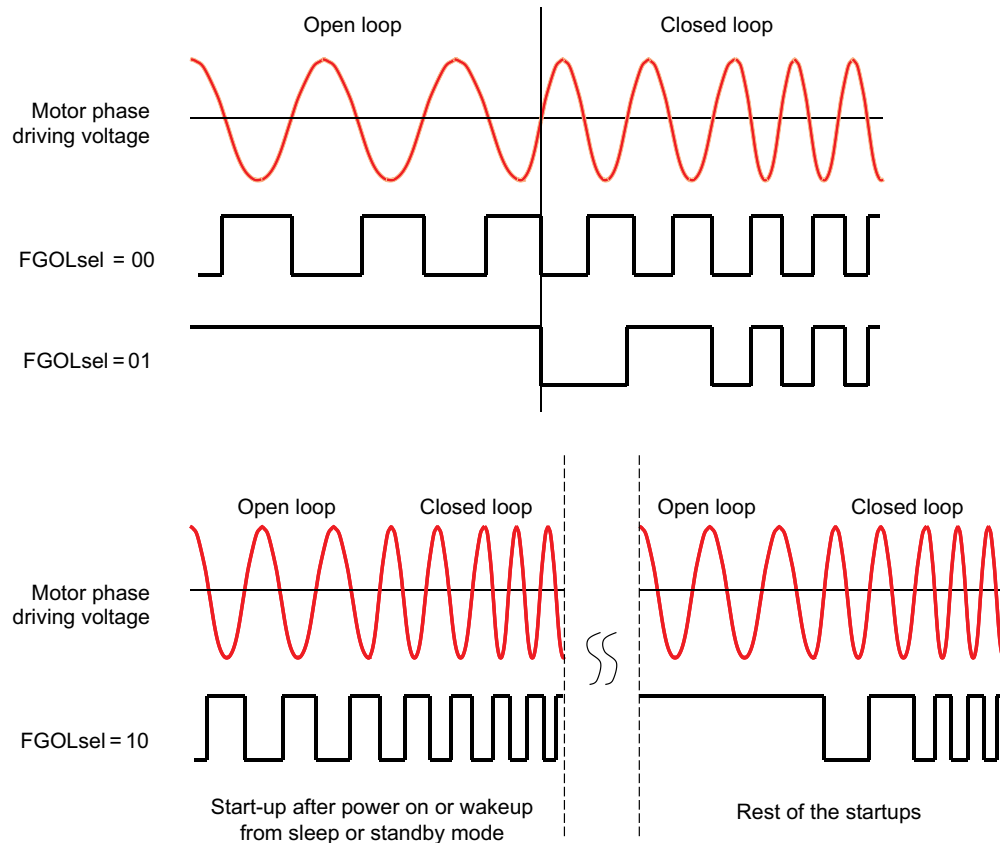
**Figure 36. FG Frequency Divider**

### 8.4.10.2 FG Open-Loop and Lock Behavior

Note that the FG output reflects the driving state of the motor. During normal closed loop behavior, the driving state and the actual state of the motor are synchronized. During open loop acceleration, however, this may not reflect the actual motor speed. During a locked motor condition, the FG output is driven high.

The DRV10983 provides three options for controlling the FG output during open loop as shown in [Figure 37](#). The selection of these options is determined by the FGOLsel[1:0] setting.

- Option0: Open loop output FG based on driving frequency
- Option1: Open loop no FG output (keep high)
- Option2: FG output based on driving frequency at the first power-on start-up, and no FG output (keep high) for any subsequent restarts



**Figure 37. FG Behavior During Open Loop**

### 8.4.11 Diagnostics and Visibility

The DRV10983 offers extensive visibility into the motor system operation conditions stored in internal registers. This information can be monitored through the I<sup>2</sup>C interface. Information can be monitored relating to the device status, motor speed, supply voltage, speed command, motor phase voltage amplitude, fault status, and others. The data is updated on the fly.

#### 8.4.11.1 Motor Status Readback

The motor status register provides information on overtemperature (OverTemp), sleep or standby state (Slp\_Stdby), over current (OverCurr), and locked rotor (MtrLck).

### 8.4.11.2 Motor Speed Readback

The motor operation speed is automatically updated in register MotorSpeed1 and MotorSpeed2 while the motor is spinning. MotorSpeed1 contains the 8 most significant bits and MotorSpeed2 contains the 8 least significant bits. The value is determined by the period for calculated BEMF zero crossings on phase U. The electrical speed of the motor is denoted as *Velocity (Hz)* and is calculated as shown in Equation 8.

$$\text{Velocity (Hz)} = \{\text{MotorSpeed1:MotorSpeed2}\} / 10 \quad (8)$$

As an example consider the following:

MotorSpeed1 = 0x01;

MotorSpeed2 = 0xFF;

Velocity = 512 (0x01FF) / 10 = 51 Hz

$$51 \frac{\text{cycles}}{\text{second}} \times \frac{1 \text{ mechcycle}}{2 \text{ ecycle}} \times 60 \frac{\text{second}}{\text{minute}} = 1530 \text{ RPM}$$

For a 4-pole motor, this translates to:

The electrical speed of the motor (Hz) readback from MotorSpeed1 and MotorSpeed2 is not accurate and has up to 6% error. For accurate results, it is recommended to read the Motor electrical period (see [Motor Electrical Period Readback](#)) and then calculate the electrical speed of the motor (Hz) manually by calculating the inverse of Motor electrical period or measure the frequency of the FG signal output (see [FG Output Frequency](#)).

#### 8.4.11.2.1 Two-Byte Register Readback

Several of the registers such as MotorSpeed report data that is contained in two registers.

To make sure that the data does not change between the reading of the first and second register reads, the DRV10983 implements a special scheme to synchronize the reading of MSB and LSB data. To ensure valid data is read when reading a two register value, use the following sequence.

1. Read the MSB.
2. Read the LSB.

Figure 38 shows the two-register readback circuit. When the MSB is read, the controller takes a snapshot of the LSB. The LSB data is stored in one extra register byte, which is shown as MotorSpeedBuffer[7:0]. When the LSB is read, the value of MotorSpeedBuffer[7:0] is sent.

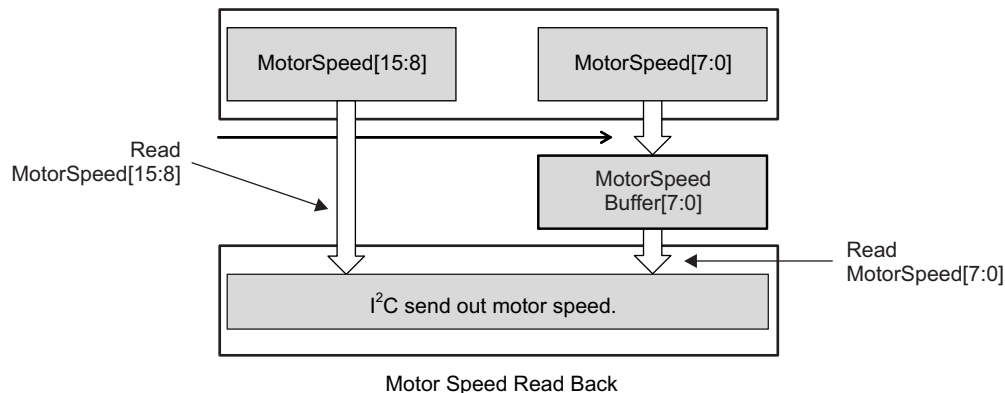


Figure 38. Two-Byte Register Readback

### 8.4.11.3 Motor Electrical Period Readback

The motor operation electrical period is automatically updated in register MotorPeriod1 and MotorPeriod2 while the motor is spinning. MotorPeriod1 is the MSB and MotorPeriod2 is the LSB. The electrical period is measured as the time between calculated BEMF zero crossings for phase U. The electrical period of the motor is denoted as  $t_{\text{ELE\_PERIOD}}$  ( $\mu\text{s}$ ) and is calculated as shown in Equation 9.

$$t_{\text{ELE\_PERIOD}} (\mu\text{s}) = \{\text{MotorPeriod1:MotorPeriod2}\} \times 10 \quad (9)$$

As an example consider the following:

MotorPeriod1 = 0x01;

MotorPeriod2 = 0xFF;

$t_{ELE\_PERIOD} = 512 (0x01FF) \times 10 = 5120 \mu s$

The motor electrical period and motor speed satisfies the condition of [Equation 10](#).

$$t_{ELE\_PERIOD} (s) \times \text{Velocity} (Hz) = 1 \quad (10)$$

#### 8.4.11.4 BEMF Constant Readback

For any given motor, the integrated value of BEMF during half of an electronic cycle will be constant, Ktc (see [Lock2: Abnormal Kt](#)).

The integration of the motor BEMF is processed periodically (updated every electrical cycle) while the motor is spinning. The result is stored in register MotorKt1 and MotorKt2.

The relationship is shown in [Equation 11](#).

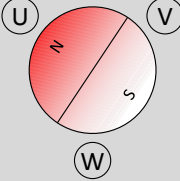
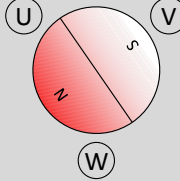
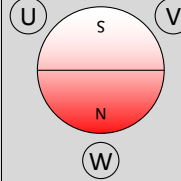
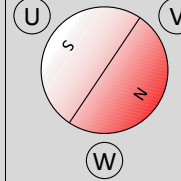
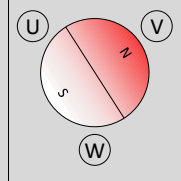
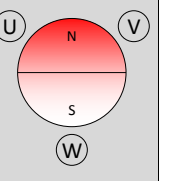
$$Ktc (V/Hz) = \{ \text{MotorKt1} : \text{MotorKt2} \} / 2 / 1090 \quad (11)$$

#### 8.4.11.5 Motor Estimated Position by IPD

After inductive sense is executed the rotor position is detected within 60 electrical degrees of resolution. The position is stored in register IPDPosition.

The value stored in IPD Position corresponds to one of the six motor positions plus the IPD Advance Angle as shown in [Table 7](#). For more about information about IPD, see [Initial Position Detect \(IPD\)](#).

**Table 7. IPD Position Readback**

						
Rotor position (°)	0	60	120	180	240	300
Data1	0	43	85	128	171	213
IPD Advance Angle	30	60	90	120		
Data2	22	44	63	85		
Register date	(Data1 + Data2) mod (256)					

#### 8.4.11.6 Supply Voltage Readback

The power supply is monitored periodically during motor operation. This information is available in register SupplyVoltage. The power supply voltage is recorded as shown in [Equation 12](#).

$$V_{POWERSUPPLY} (V) = \text{Supply Voltage} \times 30 V / 256 \quad (12)$$

#### 8.4.11.7 Speed Command Readback

The DRV10983 converts the various types of speed command into a speed command value (SpeedCmd) as shown in [Figure 39](#). By reading SpeedCmd, the user can observe PWM input duty (PWM digital mode), analog voltage (analog mode), or I<sup>2</sup>C data (I<sup>2</sup>C mode). This value is calculated as shown in [Equation 13](#).

[Equation 13](#) shows how the speed command as a percentage can be calculated and set in SpeedCmd.

$$\text{Duty}_{SPEED} (\%) = \text{SpeedCmd} \times 100\% / 255$$

where

- Duty<sub>SPEED</sub> = Speed command as a percentage
- SpeedCmd = Register value

(13)



### 8.4.11.8 Speed Command Buffer Readback

If acceleration current limit and AVS are enabled, the PWM duty cycle output (read back at `spdCmdBuffer`) may not always match the input command (read back at `SpeedCmd`) shown in [Figure 39](#). See [AVS Function](#) and [Current Limit](#).

By reading the value of `spdCmdBuffer`, the user can observe buffered speed command (output PWM duty cycle) to the motor.

[Equation 14](#) shows how the buffered speed is calculated.

$$\text{Duty}_{\text{OUTPUT}} (\%) = \text{spdCmdBuffer} \times 100\% / 255$$

where

- $\text{Duty}_{\text{OUTPUT}}$  = The maximum duty cycle of the output PWM, which represents the output amplitude in percentage.
- `spdCmdBuffer` = Register value

(14)

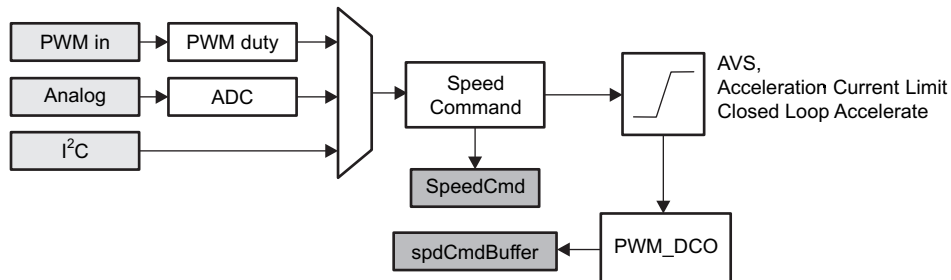


Figure 39. SpeedCmd and `spdCmdBuffer` Register

### 8.4.11.9 Fault Diagnostics

See [Lock Detect and Fault Handling](#).

## 8.5 Register Maps

### 8.5.1 I<sup>2</sup>C Serial Interface

The DRV10983 provides an I<sup>2</sup>C slave interface with slave address 101 0010. TI recommends a pullup resistor 4.7 kΩ to 3.3 V for I<sup>2</sup>C interface port SCL and SDA.

Four read/write registers (0x00:0x03) are used to set motor speed and control device registers and EEPROM. Device operation status can be read back through 12 read-only registers (0x10:0x1E). Another 12 EEPROM registers (0x20:0x2B) can be accessed to program motor parameters and optimize the spin-up profile for the application.

### 8.5.2 Register Map

Register Name	Address	D7	D6	D5	D4	D3	D2	D1	D0	
SpeedCtrl1 <sup>(1)</sup>	0x00	SpdCtrl[7:0]								
SpeedCtrl2 <sup>(1)</sup>	0x01	OverRide							SpdCtrl[8]	
DevCtrl <sup>(1)</sup>	0x02	enProgKey[7:0]								
EECtrl <sup>(1)</sup>	0x03	sleepDis	Sldata	eeRefresh	eeWrite					
Status <sup>(2)</sup>	0x10	OverTemp	Slp_Stdby	OverCurr	MtrLck					
MotorSpeed1 <sup>(2)</sup>	0x11	MotorSpeed[15:8]								
MotorSpeed2 <sup>(2)</sup>	0x12	MotorSpeed[7:0]								
MotorPeriod1 <sup>(2)</sup>	0x13	MotorPeriod[15:8]								
MotorPeriod2 <sup>(2)</sup>	0x14	MotorPeriod[7:0]								
MotorKt1 <sup>(2)</sup>	0x15	MotorKt[15:8]								
MotorKt2 <sup>(2)</sup>	0x16	MotorKt[7:0]								
MotorCurrent1 <sup>(2)</sup>	0x17						MotorCurrent[10:8]			
MotorCurrent2 <sup>(2)</sup>	0x18	MotorCurrent[7:0]								
IPDPosition <sup>(2)</sup>	0x19	IPDPosition[7:0]								
SupplyVoltage <sup>(2)</sup>	0x1A	SupplyVoltage [7:0]								
SpeedCmd <sup>(2)</sup>	0x1B	SpeedCmd [7:0]								
spdCmdBuffer <sup>(2)</sup>	0x1C	spdCmdBuffer[7:0]								
FaultCode <sup>(2)</sup>	0x1E			Lock5	Lock4	Fault3	Lock2	Lock1	Lock0	
MotorParam1 <sup>(3)</sup>	0x20	DoubleFreq	Rm[6:0]							
MotorParam2 <sup>(3)</sup>	0x21	AdjMode	Kt[6:0]							
MotorParam3 <sup>(3)</sup>	0x22	CtrlAdvMd	TCtrlAdv[6:0]							
SysOpt1 <sup>(3)</sup>	0x23	ISDThr[1:0]		IPDAdvAg[1:0]		ISDen	RvsDrEn	RvsDrThr[1:0]		
SysOpt2 <sup>(3)</sup>	0x24	OpenLCurr[1:0]		OpLCurrRt[2:0]			BrkDoneThr[2:0]			
SysOpt3 <sup>(3)</sup>	0x25	CtrlCoef[1:0]		StAccel2[2:0]			StAccel[2:0]			
SysOpt4 <sup>(3)</sup>	0x26	Op2ClsThr[4:0]					AlignTime[2:0]			
SysOpt5 <sup>(3)</sup>	0x27	LockEn[3:0]				AVSIndEn	AVSMEn	AVSMMd	IPDRIsMd	
SysOpt6 <sup>(3)</sup>	0x28	SWiLimitThr[3:0]				HWiLimitThr[2:0]				
SysOpt7 <sup>(3)</sup>	0x29	LockEn5	ClsLpAccel[2:0]			Deadtime[3:0]				
SysOpt8 <sup>(3)</sup>	0x2A	IPDCurrThr[3:0]				LockEn4	VregSel	IPDCIk[1:0]		
SysOpt9 <sup>(3)</sup>	0x2B	FGOLsel[1:0]		FGcycle[1:0]		KtLckThr[1:0]		SpdCtrlMd	CLoopDis	

- (1) R/W
- (2) Read only
- (3) EEPROM

**Table 8. Default EEPROM Value**

Address	Default Value
0x20	0x4A
0x21	0x4E
0x22	0x2A
0x23	0x00
0x24	0x98
0x25	0xE4
0x26	0x7A
0x27	0xF4
0x28	0x69
0x29	0xB9
0x2A	0xAD
0x2B	0x0C

### 8.5.3 Register Definition

**Table 9. Register Description**

Register			Data	Description
Name	Address	Bits		
SpeedCtrl1 <sup>(1)</sup>	0x00	7:0	SpdCtrl[7:0]	8 LSB of a 9-bit value used for the motor speed. If OverRide = 1, the user can directly control the motor speed by writing to the register through I <sup>2</sup> C.
SpeedCtrl2 <sup>(1)</sup>	0x01	7	OverRide	Use to control the SpdCtrl [8:0] bits. If OverRide = 1, the user can write the speed command through I <sup>2</sup> C.
		6:1	N/A	N/A
		0	SpdCtrl [8]	MSB of a 9-bit value used for the motor speed. If OverRide = 1, user can directly control the motor speed by writing to the register through I <sup>2</sup> C. The MSB should be written first. Digital takes a snapshot of the MSB when LSB is written.
DevCtrl <sup>(1)</sup>	0x02	7:0	enProgKey[7:0]	8-bit byte use to enable programming in the EEPROM. To program the EEPROM, enProgKey = 1011 0110 (0xB6), followed immediately by eeWrite = 1. Otherwise, enProgKey value is reset.
EECtrl <sup>(1)</sup>	0x03	7	sleepDis	Set to 1 to disable entering into sleep or standby mode.
		6	Sldata	Set to 1 to enable the writing to the configuration registers.
		5	eeRefresh	Copy EEPROM data to register.
		4	eeWrite	Bit used to program (write) to the EEPROM.
		3:0	N/A	N/A
Status <sup>(2)</sup>	0x10	7	OverTemp	Bit to indicate device temperature is over its limits.
		6	Slp_Stdbby	Bit to indicate that device went into sleep or standby mode.
		5	OverCurr	Bit to indicate that a phase overcurrent event happened. This is a sticky bit, once written, it stays high even if overcurrent signal goes low. This bit is cleared on Read.
		4	MtrLck	Bit to indicate that the motor is locked.
		3	N/A	N/A
		2	N/A	N/A
		1	N/A	N/A
		0	N/A	N/A

(1) R/W

(2) Read only

**Table 9. Register Description (continued)**

Register			Data	Description
Name	Address	Bits		
Motor Speed1 <sup>(2)</sup>	0x11	7:0	MotorSpeed [15:8]	16-bit value indicating the motor speed. Always read the MotorSpeed1 first. Velocity (Hz) = {MotorSpeed1:MotorSpeed2} / 10 For example: MotorSpeed1 = 0x01, MotorSpeed2 = 0xFF, Motor Speed = 0x01FF (511) / 10 = 51 Hz
Motor Speed2 <sup>(2)</sup>	0x12	7:0	MotorSpeed [7:0]	
Motor Period1 <sup>(2)</sup>	0x13	7:0	MotorPeriod [15:8]	16-bit value indicating the motor period. Always read the MotorPeriod1 first. $t_{ELE\_PERIOD} (\mu s) = \{MotorPeriod1:MotorPeriod2\} \times 10$ For example: MotorPeriod1 = 0x01, MotorPeriod2 = 0xFF, Motor Period = 0x01FF (511) $\times 10 = 5.1$ ms
Motor Period2 <sup>(2)</sup>	0x14	7:0	MotorPeriod [7:0]	
MotorKt1 <sup>(2)</sup>	0x15	7:0	MotorKt[15:8]	16-bit value indicating the motor measured velocity constant. Always read the MotorKt1 first.
MotorKt2 <sup>(2)</sup>	0x16	7:0	MotorKt[7:0]	$K_{tc} (V/Hz) = \{MotorKt1:MotorKt2\} / 2 / 1442$ {MotorKt1:MotorKt2} corresponding to 2 $\times$ Ktph_dig
Motor Current1 <sup>(2)</sup>	0x17	7:3	N/A	11-bit value indicating the motor peak current. . Always read the MotorCurrent1 first.
		2:0	MotorCurrent[10:8]	If ({ MotorCurrent[10:0]}) >= 1023 Current (A) = 3 $\times$ ((MotorCurrent[10:0]) - 1023) / 512 else Current (A) = 3 $\times$ ((MotorCurrent[10:0]) / 512 For example: Motor Current1= 0x04; Motor Current2= 0x3C; Motor current (A) = 3A * (0x43C-0x3FF) / 512 = 0.357 A
Motor Current2 <sup>(2)</sup>	0x18	7:0	MotorCurrent[7:0]	
IPDPosition <sup>(2)</sup>	0x19	7:0	IPDPosition [7:0]	8-bit value indicating the estimated motor position during IPD plus the IPD advance angle (see <a href="#">Table 7</a> )
Supply Voltage <sup>(2)</sup>	0x1A	7:0	SupplyVoltage [7:0]	8-bit value indicating the supply voltage $V_{POWERSUPPLY} (V) = SupplyVoltage[7:0] \times 30 V / 256$ For example, SupplyVoltage[7:0] = 0x67, $V_{POWERSUPPLY} (V) = 0x67 (102) \times 30 / 256 = 12 V$
SpeedCmd <sup>(2)</sup>	0x1B	7:0	SpeedCmd[7:0]	8-bit value indicating the speed command based on analog or PWMIn or I <sup>2</sup> C. FF indicates 100% speed command.
spdCmd Buffer <sup>(2)</sup>	0x1C	7:0	spdCmdBuffer [8:1]	8-bit value indicating the speed command after buffer output. FF indicates 100% speed command.
FaultCode <sup>(2)</sup>	0x1E	7:6	N/A	N/A
		5	Lock5	Stuck in closed loop
		4	Lock4	Stuck in open loop
		3	Fault3	No motor
		2	Lock2	Kt abnormal
		1	Lock1	Speed abnormal
		0	Lock0	Lock detection current limit
Motor Param1 <sup>(3)</sup>	0x20	7	DoubleFreq	0 = Set driver output frequency to 25 kHz 1 = Set driver output frequency to 50 kHz
		6:0	Rm[6:0]	Rm[6:4] : Number of the Shift bits of the motor phase resistance Rm[3:0] : Significant value of the motor phase resistance $R_{mdig} = R_{(ph\_ct)} / 0.00967$ $R_{mdig} = Rm[3:0] \ll Rm[6:4]$ See <a href="#">Motor Phase Resistance</a> and <a href="#">Table 2</a>
Motor Param2 <sup>(3)</sup>	0x21	7	AdjMode	Closed loop adjustment mode setting 0 = Full cycle adjustment 1 = Half cycle adjustment
		6:0	Kt[6:0]	Kt[6:4] = Number of the Shift bits of BEMF constant Kt[3:0] = Significant value of the BEMF constant $\llbracket Kt \rrbracket \_ (ph\_dig) = 1090 \times \llbracket Kt \rrbracket \_ ph$ $\llbracket Kt \rrbracket \_ (ph\_dig) = Kt[3:0] \ll Kt[4:6]$ See <a href="#">BEMF Constant</a> and <a href="#">Table 3</a> .

(3) EEPROM

**Table 9. Register Description (continued)**

Register			Data	Description
Name	Address	Bits		
Motor Param3 <sup>(3)</sup>	0x22	7	CtrlAdvMd	Motor commutate control advance 0 = Fixed time 1 = Variable time relative to the motor speed and V <sub>CC</sub>
		6:0	Tdelay[6:0]	t <sub>delay</sub> [6:4] = Number of the Shift bits of LRTIME t <sub>delay</sub> [3:0] = Significant value of LRTIME t <sub>SETTING</sub> = 2.5 μs × {TCtrlAdv[3:0] << TCtrlAdv[6:4]}
SysOpt1 <sup>(3)</sup>	0x23	7:6	ISDThr[1:0]	ISD stationary judgment threshold 00 = 6 Hz (80 ms, no zero cross) 01 = 3 Hz (160 ms, no zero cross) 10 = 1.6 Hz (320 ms, no zero cross) 11 = 0.8 Hz (640 ms, no zero cross)
		5:4	IPDAadvAgl [1:0]	Advancing angle after inductive sense 00 = 30° 01 = 60° 10 = 90° 11 = 120°
		3	ISDen	0 = Initial speed detect (ISD) disable 1 = ISD enable
		2	RvsDrEn	0 = Reverse drive disable 1 = Reverse drive enable
		1:0	RvsDrThr[1:0]	The threshold where device starts to process reverse drive (RvsDr) or brake. 00 = 6.3 Hz 01 = 13 Hz 10 = 26 Hz 11 = 51 Hz
SysOpt2 <sup>(3)</sup>	0x24	7:6	OpenLCurr[1:0]	Open loop current setting. 00 = 0.2 A 01 = 0.4 A 10 = 0.8 A 11 = 1.6 A
		5:3	OpLCurrRt[2:0]	Open-loop current ramp-up rate setting 000 = 6 V <sub>CC</sub> /s 001 = 3 V <sub>CC</sub> /s 010 = 1.5 V <sub>CC</sub> /s 011 = 0.7 V <sub>CC</sub> /s 100 = 0.34 V <sub>CC</sub> /s 101 = 0.16 V <sub>CC</sub> /s 110 = 0.07 V <sub>CC</sub> /s 111 = 0.023 V <sub>CC</sub> /s
		2:0	BrkDoneThr [2:0]	Braking mode setting 000 = No brake (BrkEn = 0) 001 = 2.7 s 010 = 1.3 s 011 = 0.67 s 100 = 0.33 s 101 = 0.16 s 110 = 0.08 s 111 = 0.04 s

**Table 9. Register Description (continued)**

Register			Data	Description
Name	Address	Bits		
SysOpt3 <sup>(3)</sup>	0x25	7:6	CtrlCoeef[1:0]	Control coefficient 00 = 0.25 01 = 0.5 10 = 0.75 11 = 1
		5:3	StAccel2[2:0]	Open loop start-up accelerate (second order) 000 = 57 Hz/s <sup>2</sup> 001 = 29 Hz/s <sup>2</sup> 010 = 14 Hz/s <sup>2</sup> 011 = 6.9 Hz/s <sup>2</sup> 100 = 3.3 Hz/s <sup>2</sup> 101 = 1.6 Hz/s <sup>2</sup> 110 = 0.66 Hz/s <sup>2</sup> 111 = 0.22 Hz/s <sup>2</sup>
		2:0	StAccel[2:0]	Open loop start-up accelerate (first order) 000 = 76 Hz/s 001 = 38 Hz/s 010 = 19 Hz/s 011 = 9.2 Hz/s 100 = 4.5 Hz/s 101 = 2.1 Hz/s 110 = 0.9 Hz/s 111 = 0.3 Hz/s
SysOpt4 <sup>(3)</sup>	0x26	7:3	Op2ClsThr[4:0]	Open to closed loop threshold 0xxxx = Range 0: n × 0.8 Hz 00000 = N/A 00001 = 0.8 Hz 00111 = 5.6 Hz 01111 = 12 Hz 1xxxx = Range 1: (n + 1) × 12.8 Hz 10000 = 12.8 Hz 10001 = 25.6 Hz 10111 = 192 Hz 11111 = 204.8 Hz
		2:0	AlignTime[2:0]	Align time. 000 = 5.3 s 001 = 2.7 s 010 = 1.3 s 011 = 0.67 s 100 = 0.33 s 101 = 0.16 s 110 = 0.08 s 111 = 0.04 s
SysOpt5 <sup>(3)</sup>	0x27	7	FaultEn3 (LockEn[3])	No motor fault. Enabled when high
		6	LockEn[2]	Abnormal Kt. Enabled when high
		5	LockEn[1]	Abnormal speed. Enabled when high
		4	LockEn[0]	Lock detection current limit. Enabled when high
		3	AVSIndEn	Inductive AVS is not functional in DRV10983. It is recommended to set this bit to 0.
		2	AVSMEn	Mechanical AVS enable. Enabled when high
		1	AVSMMd	Mechanical AVS mode 0 = AVS to V <sub>CC</sub> 1 = AVS to 24 V
0	IPDRIsMd	IPD release mode 0 = Brake when inductive release 1 = Hi-z when inductive release		

**Table 9. Register Description (continued)**

Register			Data	Description
Name	Address	Bits		
SysOpt6 <sup>(3)</sup>	0x28	7:4	SWiLimitThr [3:0]	Acceleration current limit threshold 0000 = No acceleration current limit 0001 = 0.2-A current limit xxxx = $n \times 0.2$ A current limit
		3:1	HWiLimitThr [2:0]	Lock detection current limit threshold $(n + 1) \times 0.4$ A
		0	N/A	N/A
SysOpt7 <sup>(3)</sup>	0x29	7	LockEn[5]	Stuck in closed loop (no zero cross detected). Enabled when high
		6:4	ClsLpAccel[2:0]	Closed loop accelerate 000 = Inf fast 001 = 48 V <sub>CC</sub> /s 010 = 48 V <sub>CC</sub> /s 011 = 0.77 V <sub>CC</sub> /s 100 = 0.37 V <sub>CC</sub> /s 101 = 0.19 V <sub>CC</sub> /s 110 = 0.091 V <sub>CC</sub> /s 111 = 0.045 V <sub>CC</sub> /s
		3:0	Deadtime[3:0]	Dead time between HS and LS gate drive for motor phases 0000 = 40 ns xxxx = $(n + 1) \times 40$ ns. Recommended minimum dead time is 400 ns for 24-V VCC and 360 ns for 12-V VCC.
SysOpt8 <sup>(3)</sup>	0x2A	7:4	IPDCurrThr[3:0]	IPD (inductive sense) current threshold 0000 = No IPD function. Align and Go 0001 = 0.4-A current threshold. xxxx = 0.2 A $\times (n + 1)$ current threshold.
		3	LockEn[4]	Open loop stuck (no zero cross detected). Enabled when high
		2	VregSel	Buck regulator voltage select 0: Vreg = 5 V 1: Vreg = 3.3 V
		1:0	IPDCIk[1:0]	Inductive sense clock 00 = 12 Hz; 01 = 24 Hz; 10 = 47 Hz; 11 = 95 Hz
SysOpt9 <sup>(3)</sup>	0x2B	7:6	FGOLsel[1:0]	FG open loop output select 00 = FG outputs in both open loop and closed loop 01 = FG outputs only in closed loop 10 = FG outputs closed loop and the first open loop 11 = Reserved
		5:4	FGcycle[1:0]	FG cycle select 00 = 1 pulse output per electrical cycle 01 = 2 pulses output per 3 electrical cycles 10 = 1 pulse output per 2 electrical cycles 11 = 1 pulse output per 3 electrical cycles
		3:2	KtLckThr[1:0]	Abnormal Kt lock detect threshold 00 = Kt <sub>high</sub> = 3/2Kt. Kt <sub>low</sub> = 3/4Kt 01 = Kt <sub>high</sub> = 2Kt. Kt <sub>low</sub> = 3/4Kt 10 = Kt <sub>high</sub> = 3/2Kt. Kt <sub>low</sub> = 1/2Kt 11 = Kt <sub>high</sub> = 2Kt. Kt <sub>low</sub> = 1/2Kt
		1	SpdCtrlMd	Speed input mode 0 = Analog input expected at SPEED pin 1 = PWM input expected at SPEED pin
		0	CLoopDis	0 = Transfer to closed loop at Op2ClsThr speed 1 = No transfer to closed loop. Keep in open loop

## 9 Application and Implementation

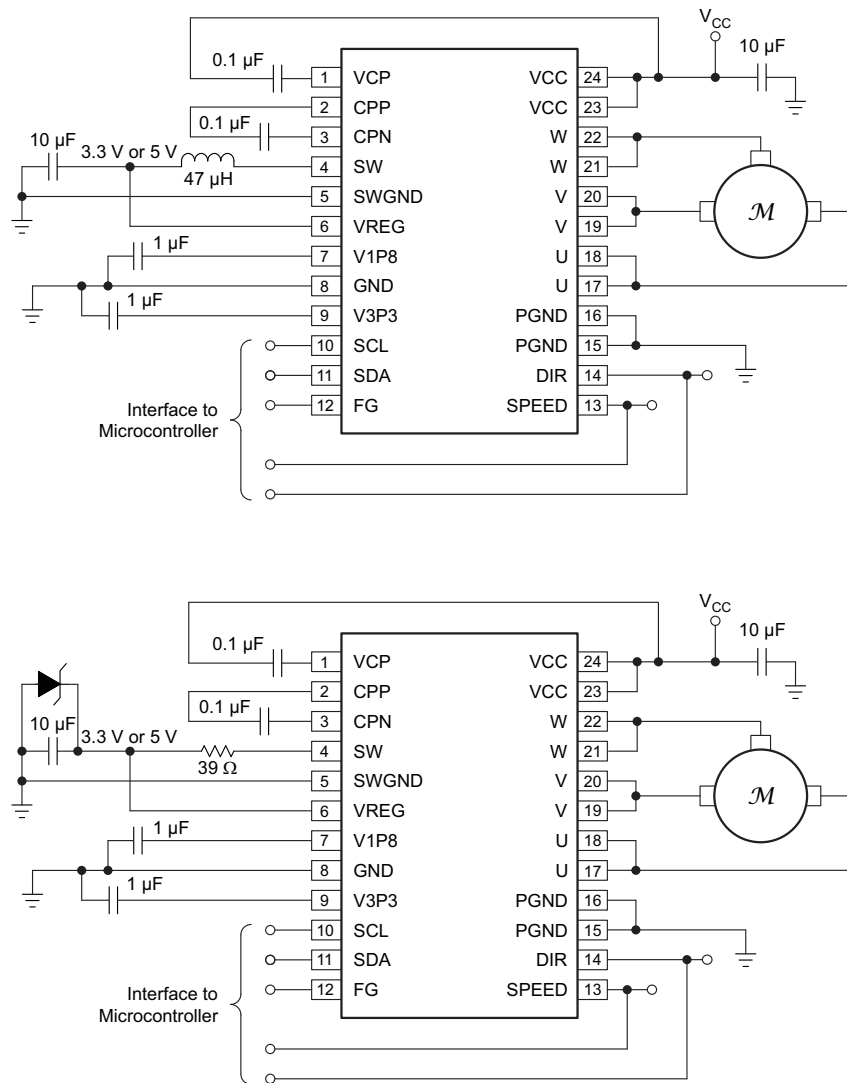
### NOTE

Information in the following applications sections is not part of the TI component specification, and TI does not warrant its accuracy or completeness. TI's customers are responsible for determining suitability of components for their purposes. Customers should validate and test their design implementation to confirm system functionality.

### 9.1 Application Information

The DRV10983 is used in sensorless 3-phase BLDC motor control. The driver provides a high performance, high reliability, flexible and simple solution for appliance fan, pump, and HVAC applications. The following design in [Figure 40](#) shows a common application of the DRV10983. For the DRV10983Z sleep mode device, a Zener diode must be placed in parallel with the 10- $\mu$ F  $V_{REG}$  capacitor as shown in [Figure 40](#). The Zener diode must meet the requirements listed in [Table 11](#). The following order of connections should be followed in order to avoid hot-switching and floating ground, which may cause reliability issues: 1 - GND, 2 - VCC, 3 - PWM, 4 - FG. When  $VCC > 2.2V$ , order of FG and PWM doesn't matter. Ensure  $FG \leq VCC$  all the time.

### 9.2 Typical Application



Copyright © 2016, Texas Instruments Incorporated

**Figure 40. Typical Application Schematics for DRV10983 (Top Image) and DRV10983Z (Bottom Image)**



## Typical Application (continued)

### 9.2.1 Design Requirements

Table 10 provides design input parameters and motor parameters for system design.

**Table 10. Recommended Application Range**

		MIN	TYP	MAX	UNIT
Motor voltage		8	24	28	V
BEMF constant	Phase to phase, measured while the motor is coasting	0.001		1.8	V/Hz
Phase-Phase resistance	Measured ph-ph	0.6		38	$\Omega$
Phase-Phase inductance	Measured ph-ph	0.07			mH
Operating closed loop speed	Electrical frequency	1		1000	Hz
Operating current	PGND, GND	0.1		2	A
Absolute maximum current	During start-up or lock condition			3	A

**Table 11. External Components**

COMPONENT	PIN 1	PIN 2	RECOMMENDED
$C_{VCC}$	$V_{CC}$	GND	10- $\mu$ F ceramic capacitor rated for $V_{CC}$
$C_{VCP}$	VCP	$V_{CC}$	0.1- $\mu$ F ceramic capacitor rated for 10 V
$C_{CP}$	CPP	CPN	0.1- $\mu$ F ceramic capacitor rated for $V_{CC} \times 2$
$L_{SW-VREG}$	SW	VREG	47- $\mu$ H ferrite inductor with 1.15-A current rating, 1.15-A saturation current, and < 1 $\Omega$ DC resistance (buck mode)
$R_{SW-VREG}$	SW	VREG	39- $\Omega$ series resistor rated for $\frac{1}{4}$ W (linear mode)
$C_{VREG}$	VREG	GND	10- $\mu$ F ceramic capacitor rated for 10 V
$C_{V1P8}$	V1P8	GND	1- $\mu$ F ceramic capacitor rated for 5 V
$C_{V3P3}$	V3P3	GND	1- $\mu$ F ceramic capacitor rated for 5 V
$R_{SCL}$	SCL	V3P3	4.75-k $\Omega$ pullup to V3P3
$R_{SDA}$	SDA	V3P3	4.75-k $\Omega$ pullup to V3P3
$R_{FG}$	FG	V3P3	4.75-k $\Omega$ pullup to V3P3
$D_{Zener}$ (For 3.3-V Vreg mode)	GND	VREG	Only for DRV10983Z, Zener Voltage( $V_z$ ) = 4 V ( $\pm 5\%$ ). Peak Power > 5 W, Leakage Current < 100 $\mu$ A
$D_{Zener}$ (For 5-V Vreg mode)	GND	VREG	Only for DRV10983Z, Zener Voltage( $V_z$ ) = 6 V ( $\pm 5\%$ ). Peak Power > 5 W, Leakage Current < 100 $\mu$ A

### 9.2.2 Detailed Design Procedure

1. See the [Design Requirements](#) section and make sure your system meets the recommended application range.
2. See the [DRV10983 and DRV10975 Tuning Guide](#) and measure the motor parameters.
3. See the [DRV10983 and DRV10975 Tuning Guide](#). Configure the parameters using DRV10983 GUI, and optimize the motor operation. The *Tuning Guide* takes the user through all the configurations step by step, including: start-up operation, closed-loop operation, current control, initial positioning, lock detection, and anti-voltage surge.
4. See the [Programming Guide for the DRV10983](#) and [Non-Volatile Memory](#) section for burning tuned settings into EEPROM.
5. Build your hardware based on [Layout Guidelines](#).
6. Connect the device into system and validate your system solution.

## 9.2.3 Application Curves

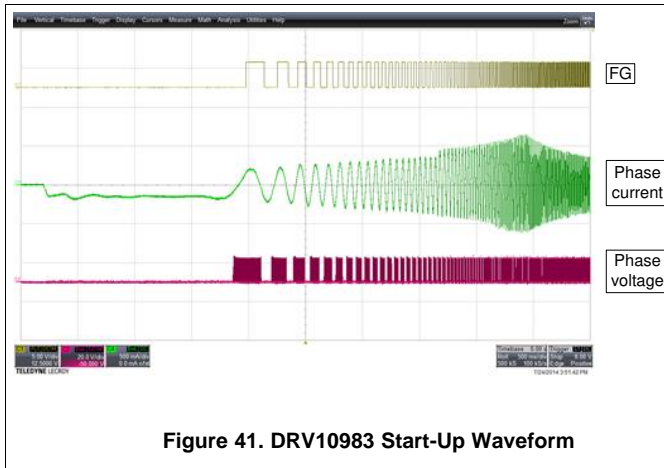


Figure 41. DRV10983 Start-Up Waveform

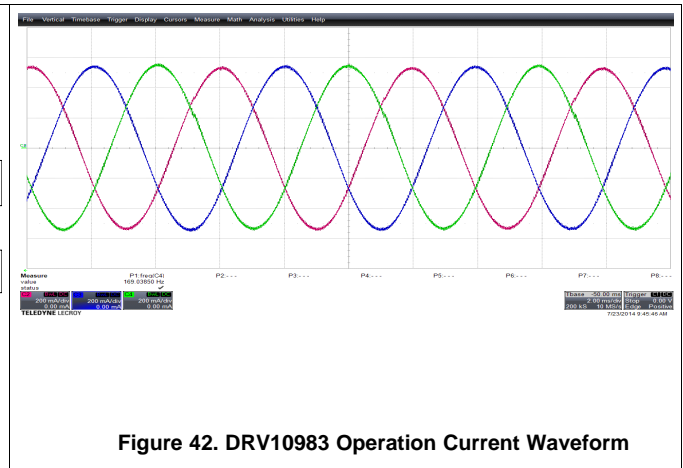


Figure 42. DRV10983 Operation Current Waveform

## 10 Power Supply Recommendations

The DRV10983 is designed to operate from an input voltage supply,  $V_{(VCC)}$ , range between 8 V and 28 V. The user must place a 10- $\mu$ F ceramic capacitor rated for  $V_{CC}$  as close as possible to the  $V_{CC}$  and GND pins.

If the power supply ripple is more than 200 mV, in addition to the local decoupling capacitors, a bulk capacitance is required and must be sized according to the application requirements. If the bulk capacitance is implemented in the application, the user can reduce the value of the local ceramic capacitor to 1  $\mu$ F.

## 11 Layout

### 11.1 Layout Guidelines

- Place  $V_{CC}$ , GND, U, V, and W pins with thick traces because high current passes through these traces.
- Place the 10- $\mu$ F capacitor between  $V_{CC}$  and GND, and as close to the  $V_{CC}$  and GND pins as possible.
- Place the capacitor between CPP and CPN, and as close to the CPP and CPN pins as possible.
- Connect the GND, PGND, and SWGND under the thermal pad.
- Keep the thermal pad connection as large as possible, both on the bottom side and top side. It should be one piece of copper without any gaps.
- If EEPROM is programmed, it is okay to leave SDA and SCL floating

## 11.2 Layout Example

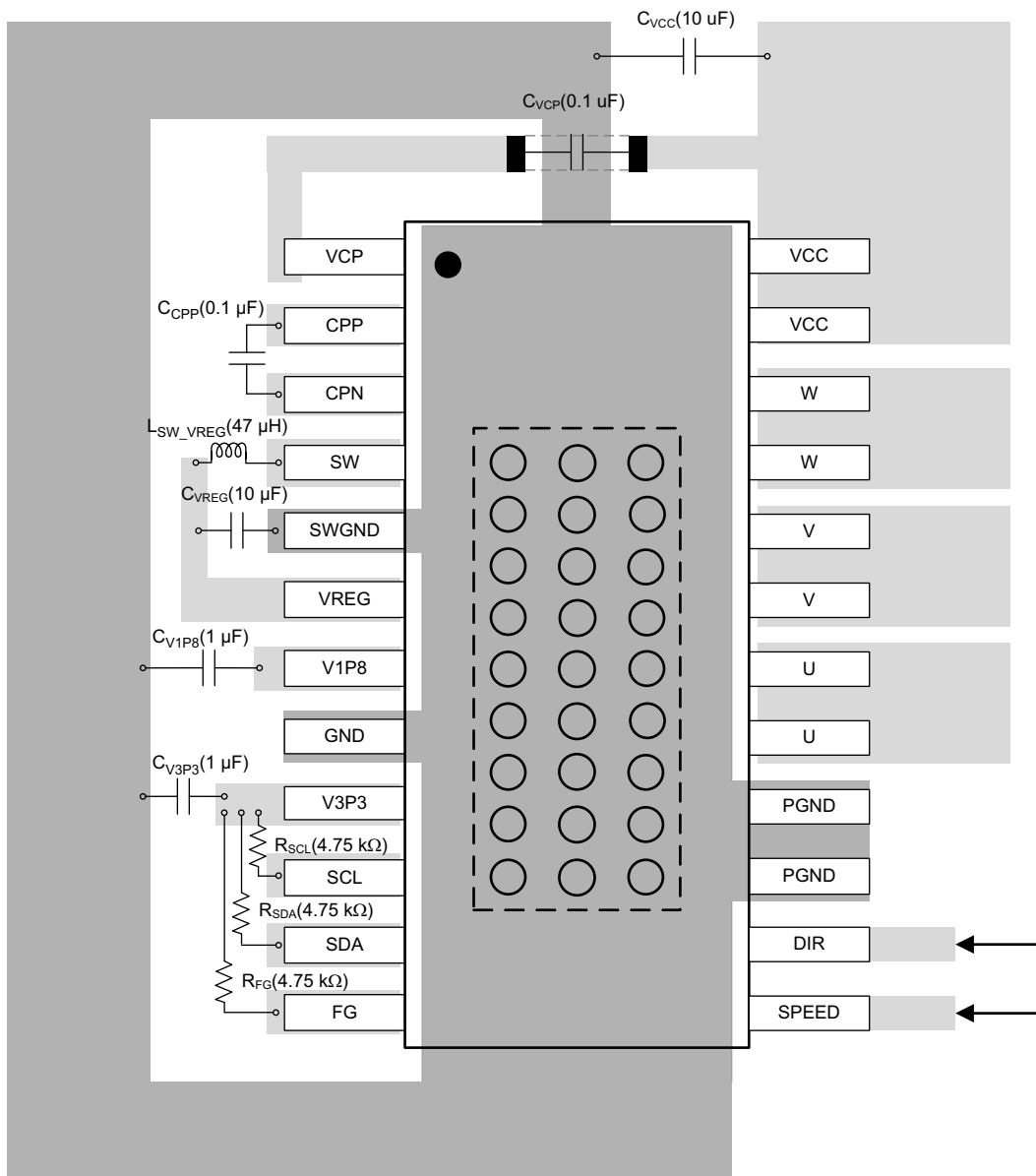


Figure 43. Layout Schematic

## 12 Device and Documentation Support

### 12.1 Device Support

#### 12.1.1 Third-Party Products Disclaimer

TI'S PUBLICATION OF INFORMATION REGARDING THIRD-PARTY PRODUCTS OR SERVICES DOES NOT CONSTITUTE AN ENDORSEMENT REGARDING THE SUITABILITY OF SUCH PRODUCTS OR SERVICES OR A WARRANTY, REPRESENTATION OR ENDORSEMENT OF SUCH PRODUCTS OR SERVICES, EITHER ALONE OR IN COMBINATION WITH ANY TI PRODUCT OR SERVICE.

### 12.2 Documentation Support

#### 12.2.1 Related Documentation

For related documentation see the following:

- Texas Instruments, [DRV10983 and DRV10975 Evaluation Module user's guide](#)
- Texas Instruments, [DRV10983 and DRV10975 Tuning Guide](#)
- Texas Instruments, [How to Design a Thermally-Efficient Integrated BLDC Motor Drive PCB application report](#)
- Texas Instruments, [Programming Guide for the DRV10983](#)
- Texas Instruments, [Speed-Control Techniques in AC-DC Operated BLDC Applications application report](#)

### 12.3 Trademarks

PowerPAD, E2E are trademarks of Texas Instruments.  
All other trademarks are the property of their respective owners.

### 12.4 Electrostatic Discharge Caution



These devices have limited built-in ESD protection. The leads should be shorted together or the device placed in conductive foam during storage or handling to prevent electrostatic damage to the MOS gates.

### 12.5 Receiving Notification of Documentation Updates

To receive notification of documentation updates, navigate to the device product folder on ti.com. In the upper right corner, click on *Alert me* to register and receive a weekly digest of any product information that has changed. For change details, review the revision history included in any revised document.

### 12.6 Community Resources

[TI E2E™ support forums](#) are an engineer's go-to source for fast, verified answers and design help — straight from the experts. Search existing answers or ask your own question to get the quick design help you need.

Linked content is provided "AS IS" by the respective contributors. They do not constitute TI specifications and do not necessarily reflect TI's views; see TI's [Terms of Use](#).

### 12.7 Glossary

[SLYZ022](#) — *TI Glossary*.

This glossary lists and explains terms, acronyms, and definitions.

## 13 Mechanical, Packaging, and Orderable Information

The following pages include mechanical, packaging, and orderable information. This information is the most-current data available for the designated device. This data is subject to change without notice and without revision of this document. For browser-based versions of this data sheet, see the left-hand navigation pane.

**PACKAGING INFORMATION**

Orderable Device	Status (1)	Package Type	Package Drawing	Pins	Package Qty	Eco Plan (2)	Lead finish/ Ball material (6)	MSL Peak Temp (3)	Op Temp (°C)	Device Marking (4/5)	Samples
DRV10983PWP	ACTIVE	HTSSOP	PWP	24	60	RoHS & Green	NIPDAU	Level-2-260C-1 YEAR	-40 to 125	DRV10983	<a href="#">Samples</a>
DRV10983PWPR	ACTIVE	HTSSOP	PWP	24	2000	RoHS & Green	NIPDAU	Level-2-260C-1 YEAR	-40 to 125	DRV10983	<a href="#">Samples</a>
DRV10983ZPWP	ACTIVE	HTSSOP	PWP	24	60	RoHS & Green	NIPDAU	Level-2-260C-1 YEAR	-40 to 125	DRV10983Z	<a href="#">Samples</a>
DRV10983ZPWPR	ACTIVE	HTSSOP	PWP	24	2000	RoHS & Green	NIPDAU	Level-2-260C-1 YEAR	-40 to 125	DRV10983Z	<a href="#">Samples</a>

(1) The marketing status values are defined as follows:

**ACTIVE:** Product device recommended for new designs.

**LIFEBUY:** TI has announced that the device will be discontinued, and a lifetime-buy period is in effect.

**NRND:** Not recommended for new designs. Device is in production to support existing customers, but TI does not recommend using this part in a new design.

**PREVIEW:** Device has been announced but is not in production. Samples may or may not be available.

**OBSOLETE:** TI has discontinued the production of the device.

(2) **RoHS:** TI defines "RoHS" to mean semiconductor products that are compliant with the current EU RoHS requirements for all 10 RoHS substances, including the requirement that RoHS substance do not exceed 0.1% by weight in homogeneous materials. Where designed to be soldered at high temperatures, "RoHS" products are suitable for use in specified lead-free processes. TI may reference these types of products as "Pb-Free".

**RoHS Exempt:** TI defines "RoHS Exempt" to mean products that contain lead but are compliant with EU RoHS pursuant to a specific EU RoHS exemption.

**Green:** TI defines "Green" to mean the content of Chlorine (Cl) and Bromine (Br) based flame retardants meet JS709B low halogen requirements of <=1000ppm threshold. Antimony trioxide based flame retardants must also meet the <=1000ppm threshold requirement.

(3) **MSL, Peak Temp.** - The Moisture Sensitivity Level rating according to the JEDEC industry standard classifications, and peak solder temperature.

(4) There may be additional marking, which relates to the logo, the lot trace code information, or the environmental category on the device.

(5) Multiple Device Markings will be inside parentheses. Only one Device Marking contained in parentheses and separated by a "-" will appear on a device. If a line is indented then it is a continuation of the previous line and the two combined represent the entire Device Marking for that device.

(6) **Lead finish/Ball material** - Orderable Devices may have multiple material finish options. Finish options are separated by a vertical ruled line. Lead finish/Ball material values may wrap to two lines if the finish value exceeds the maximum column width.

**Important Information and Disclaimer:**The information provided on this page represents TI's knowledge and belief as of the date that it is provided. TI bases its knowledge and belief on information provided by third parties, and makes no representation or warranty as to the accuracy of such information. Efforts are underway to better integrate information from third parties. TI has taken and

continues to take reasonable steps to provide representative and accurate information but may not have conducted destructive testing or chemical analysis on incoming materials and chemicals. TI and TI suppliers consider certain information to be proprietary, and thus CAS numbers and other limited information may not be available for release.

In no event shall TI's liability arising out of such information exceed the total purchase price of the TI part(s) at issue in this document sold by TI to Customer on an annual basis.

**OTHER QUALIFIED VERSIONS OF DRV10983 :**

- Automotive: [DRV10983-Q1](#)

NOTE: Qualified Version Definitions:

- Automotive - Q100 devices qualified for high-reliability automotive applications targeting zero defects

**TAPE AND REEL INFORMATION**

**QUADRANT ASSIGNMENTS FOR PIN 1 ORIENTATION IN TAPE**


\*All dimensions are nominal

Device	Package Type	Package Drawing	Pins	SPQ	Reel Diameter (mm)	Reel Width W1 (mm)	A0 (mm)	B0 (mm)	K0 (mm)	P1 (mm)	W (mm)	Pin1 Quadrant
DRV10983PWPR	HTSSOP	PWP	24	2000	330.0	16.4	6.95	8.3	1.6	8.0	16.0	Q1
DRV10983ZPWPR	HTSSOP	PWP	24	2000	330.0	16.4	6.95	8.3	1.6	8.0	16.0	Q1

**TAPE AND REEL BOX DIMENSIONS**


\*All dimensions are nominal

Device	Package Type	Package Drawing	Pins	SPQ	Length (mm)	Width (mm)	Height (mm)
DRV10983PWPR	HTSSOP	PWP	24	2000	350.0	350.0	43.0
DRV10983ZPWPR	HTSSOP	PWP	24	2000	350.0	350.0	43.0



**TUBE**


\*All dimensions are nominal

Device	Package Name	Package Type	Pins	SPQ	L (mm)	W (mm)	T (μm)	B (mm)
DRV10983PWP	PWP	HTSSOP	24	60	530	10.2	3600	3.5
DRV10983ZPWP	PWP	HTSSOP	24	60	530	10.2	3600	3.5

## GENERIC PACKAGE VIEW

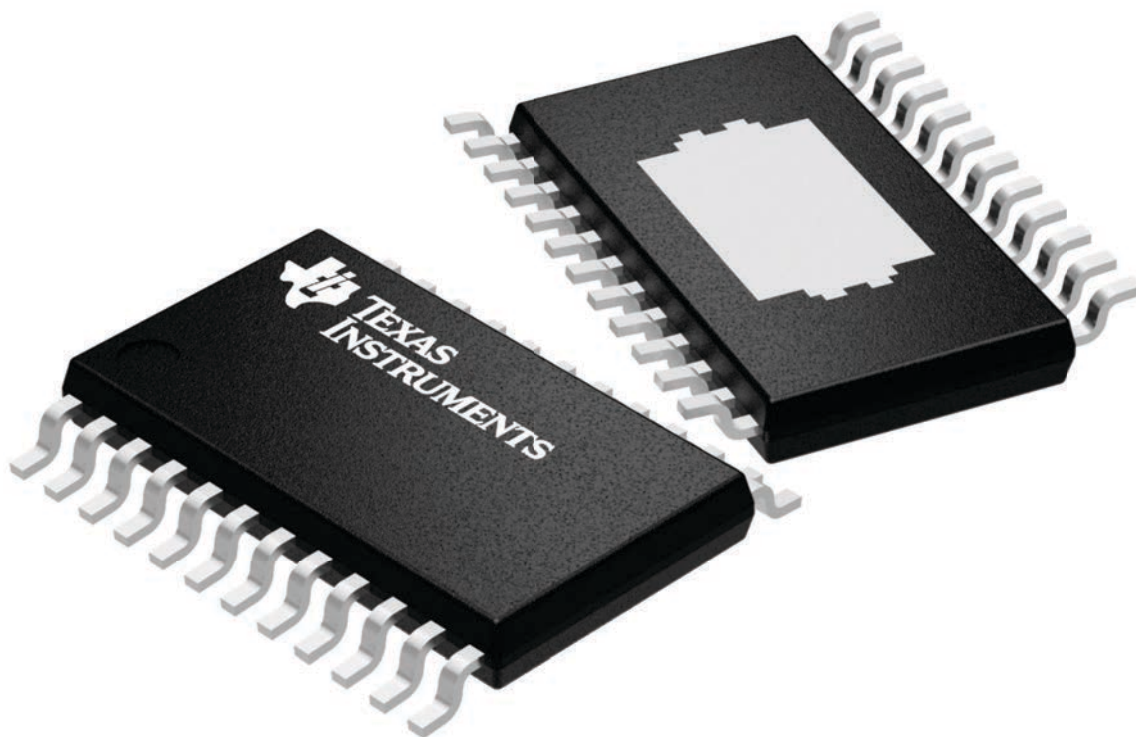
**PWP 24**

**PowerPAD™ TSSOP - 1.2 mm max height**

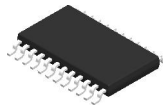
4.4 x 7.6, 0.65 mm pitch

PLASTIC SMALL OUTLINE

This image is a representation of the package family, actual package may vary.  
Refer to the product data sheet for package details.



4224742/B

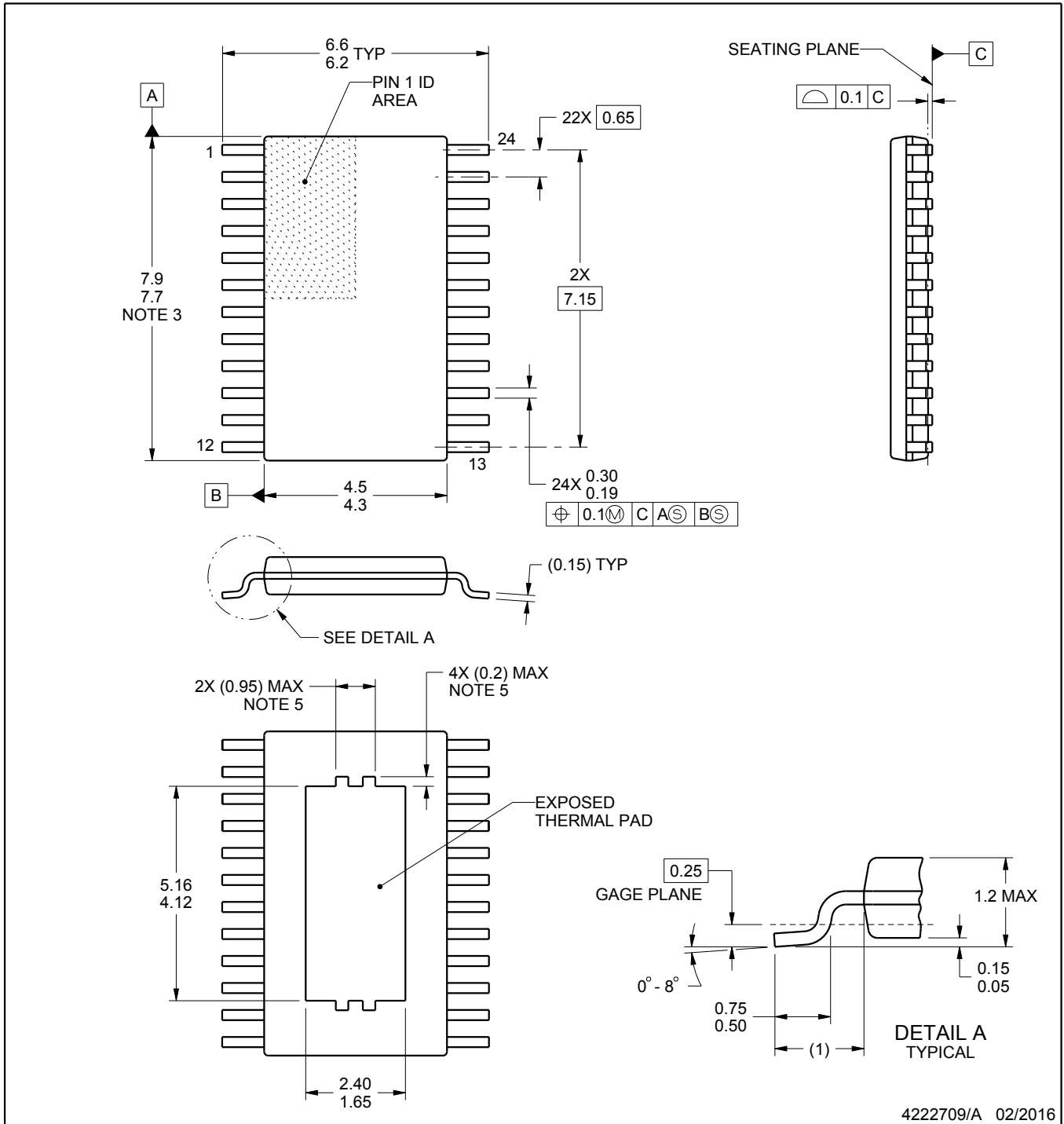


# PACKAGE OUTLINE

## PWP0024B

## PowerPAD™ TSSOP - 1.2 mm max height

PLASTIC SMALL OUTLINE



4222709/A 02/2016

### NOTES:

PowerPAD is a trademark of Texas Instruments.

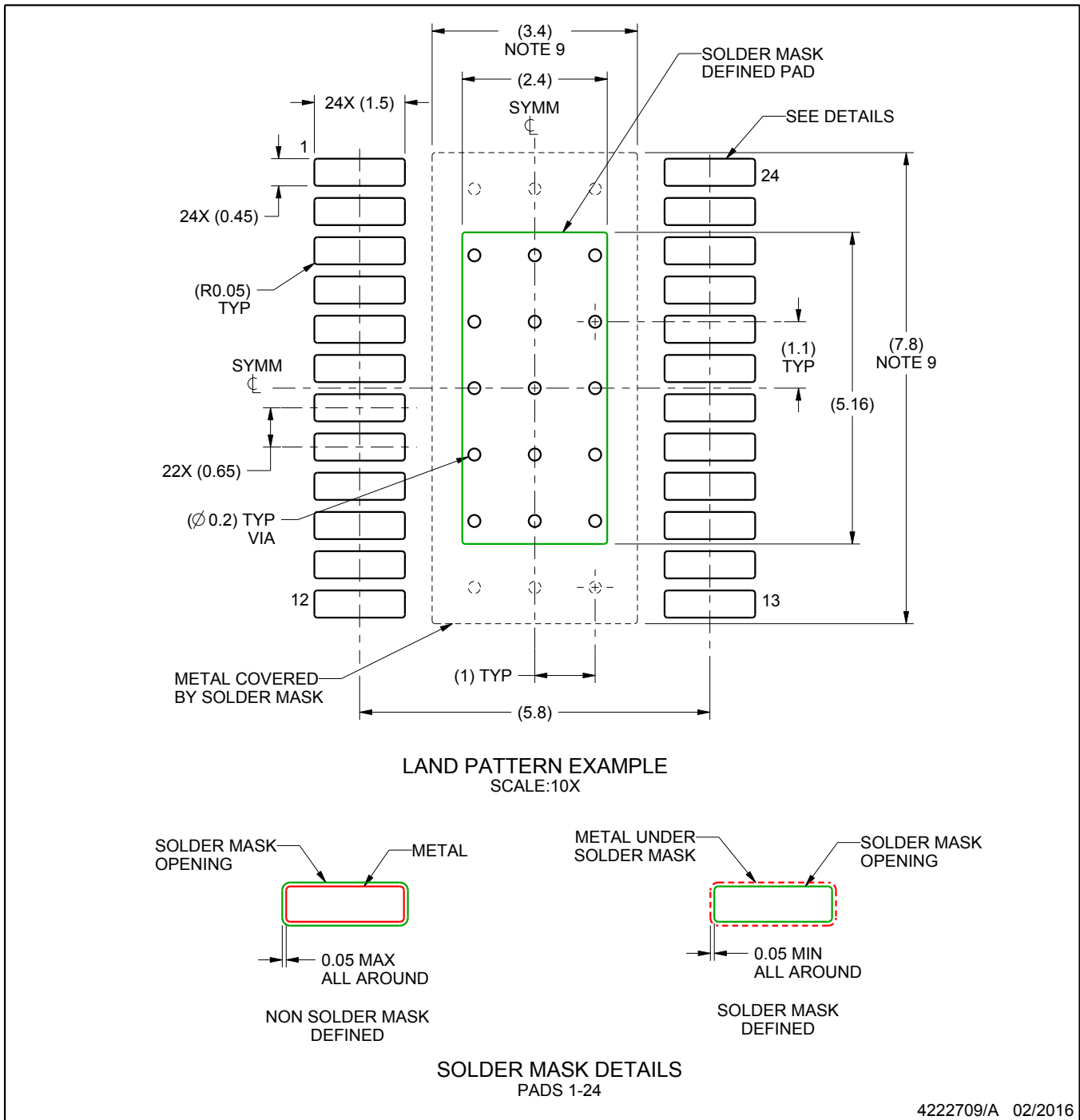
1. All linear dimensions are in millimeters. Any dimensions in parenthesis are for reference only. Dimensioning and tolerancing per ASME Y14.5M.
2. This drawing is subject to change without notice.
3. This dimension does not include mold flash, protrusions, or gate burrs. Mold flash, protrusions, or gate burrs shall not exceed 0.15 mm per side.
4. Reference JEDEC registration MO-153.
5. Features may not be present and may vary.

# EXAMPLE BOARD LAYOUT

PWP0024B

PowerPAD™ TSSOP - 1.2 mm max height

PLASTIC SMALL OUTLINE



NOTES: (continued)

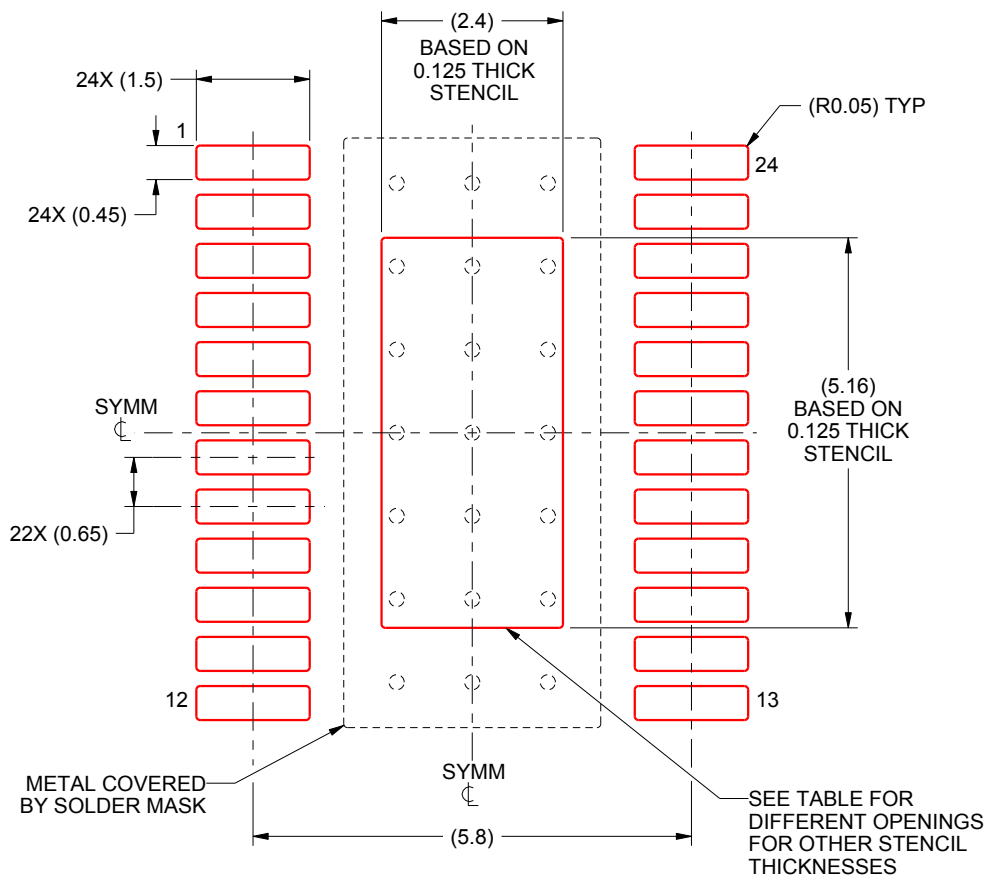
6. Publication IPC-7351 may have alternate designs.
7. Solder mask tolerances between and around signal pads can vary based on board fabrication site.
8. This package is designed to be soldered to a thermal pad on the board. For more information, see Texas Instruments literature numbers SLMA002 ([www.ti.com/lit/slma002](http://www.ti.com/lit/slma002)) and SLMA004 ([www.ti.com/lit/slma004](http://www.ti.com/lit/slma004)).
9. Size of metal pad may vary due to creepage requirement.

# EXAMPLE STENCIL DESIGN

PWP0024B

PowerPAD™ TSSOP - 1.2 mm max height

PLASTIC SMALL OUTLINE



SOLDER PASTE EXAMPLE  
 EXPOSED PAD  
 100% PRINTED SOLDER COVERAGE BY AREA  
 SCALE:10X

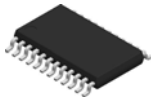
STENCIL THICKNESS	SOLDER STENCIL OPENING
0.1	2.68 X 5.77
0.125	2.4 X 5.16 (SHOWN)
0.15	2.19 X 4.71
0.175	2.03 X 4.36

4222709/A 02/2016

NOTES: (continued)

- 10. Laser cutting apertures with trapezoidal walls and rounded corners may offer better paste release. IPC-7525 may have alternate design recommendations.
- 11. Board assembly site may have different recommendations for stencil design.

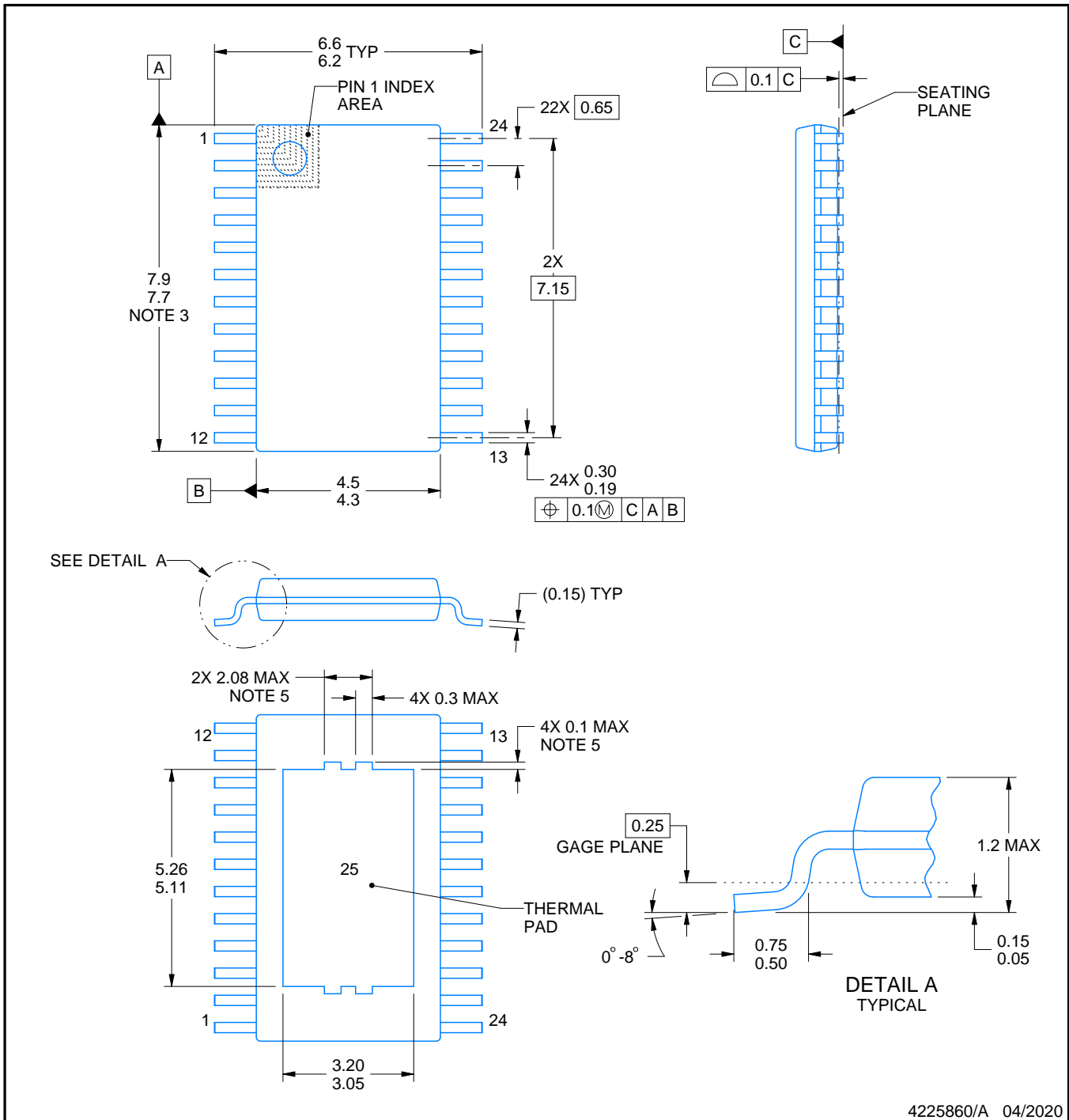
PWP0024J



# PACKAGE OUTLINE

PowerPAD™ TSSOP - 1.2 mm max height

SMALL OUTLINE PACKAGE



4225860/A 04/2020

NOTES:

PowerPAD is a trademark of Texas Instruments.

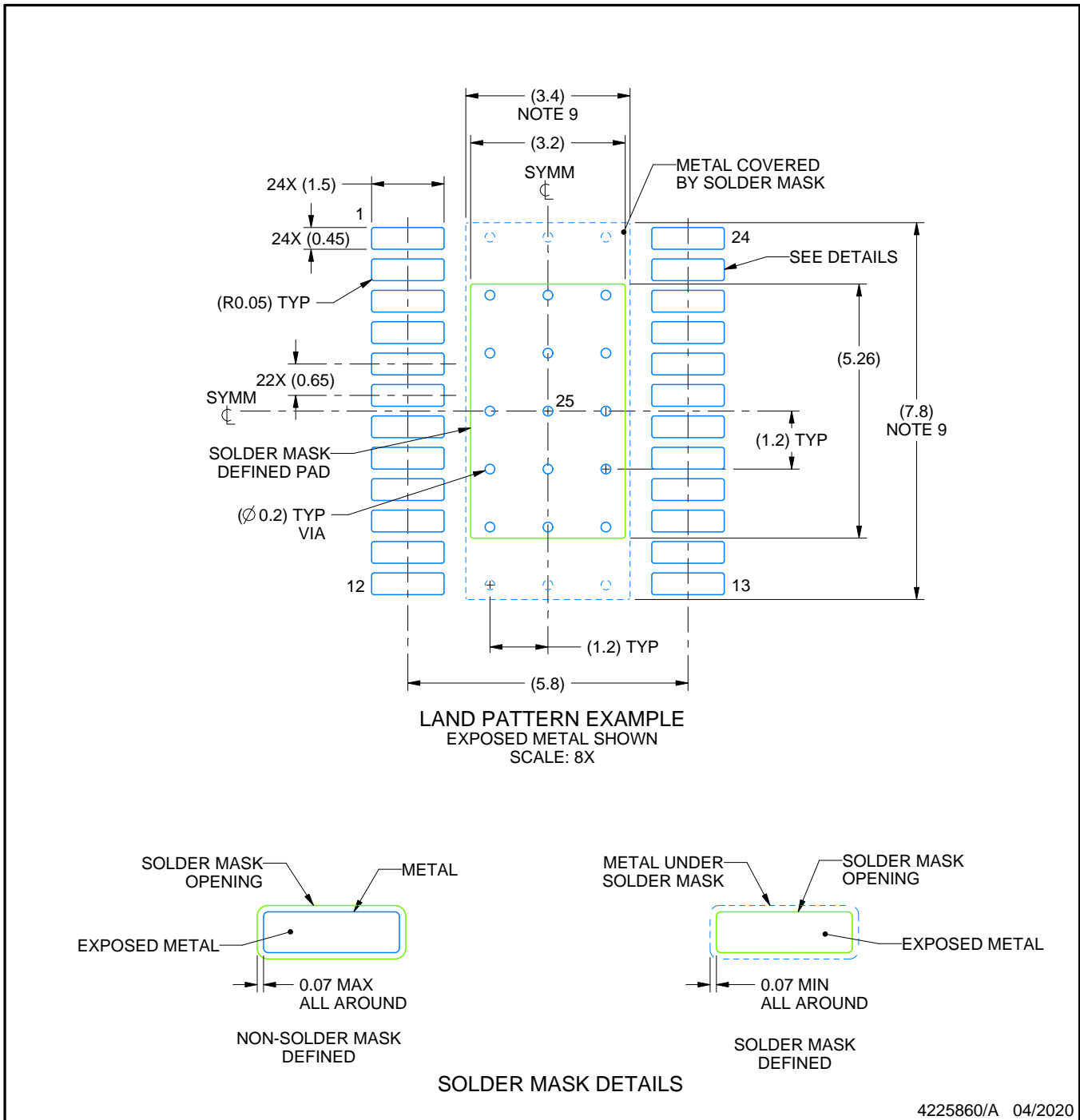
1. All linear dimensions are in millimeters. Any dimensions in parenthesis are for reference only. Dimensioning and tolerancing per ASME Y14.5M.
2. This drawing is subject to change without notice.
3. This dimension does not include mold flash, protrusions, or gate burrs. Mold flash, protrusions, or gate burrs shall not exceed 0.15 mm per side.
4. Reference JEDEC registration MO-153.
5. Features may differ or may not be present.

# EXAMPLE BOARD LAYOUT

PWP0024J

PowerPAD™ TSSOP - 1.2 mm max height

SMALL OUTLINE PACKAGE



NOTES: (continued)

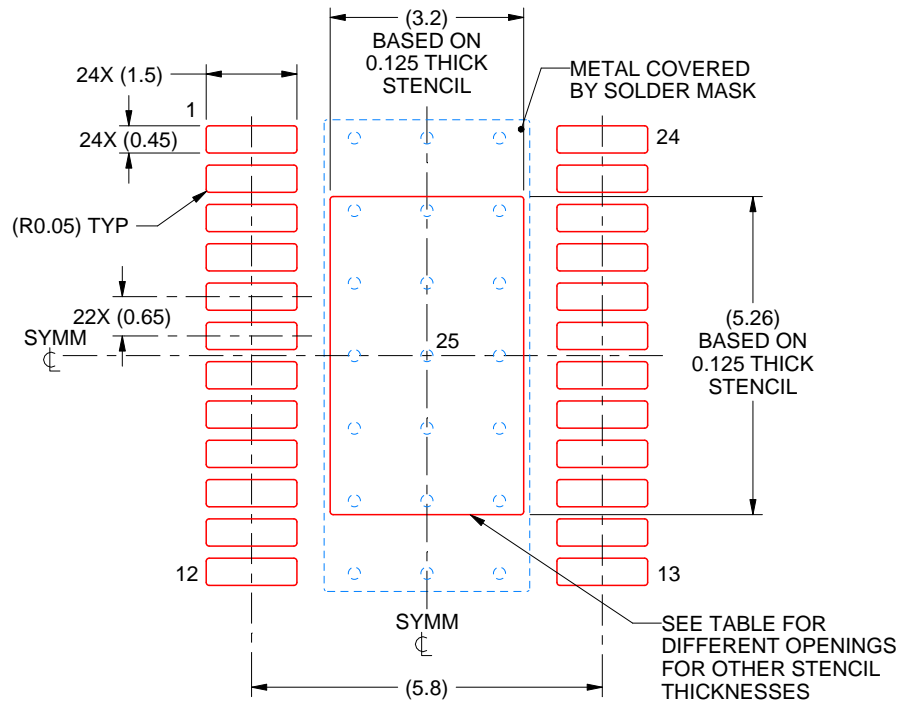
6. Publication IPC-7351 may have alternate designs.
7. Solder mask tolerances between and around signal pads can vary based on board fabrication site.
8. This package is designed to be soldered to a thermal pad on the board. For more information, see Texas Instruments literature numbers SLMA002 ([www.ti.com/lit/slma002](http://www.ti.com/lit/slma002)) and SLMA004 ([www.ti.com/lit/slma004](http://www.ti.com/lit/slma004)).
9. Size of metal pad may vary due to creepage requirement.
10. Vias are optional depending on application, refer to device data sheet. It is recommended that vias under paste be filled, plugged or tented.

# EXAMPLE STENCIL DESIGN

PWP0024J

PowerPAD™ TSSOP - 1.2 mm max height

SMALL OUTLINE PACKAGE



SOLDER PASTE EXAMPLE  
 BASED ON 0.125 mm THICK STENCIL  
 SCALE: 8X

STENCIL THICKNESS	SOLDER STENCIL OPENING
0.1	3.58 X 5.88
0.125	3.20 X 5.26 (SHOWN)
0.15	2.92 X 4.80
0.175	2.70 X 4.45

4225860/A 04/2020

NOTES: (continued)

11. Laser cutting apertures with trapezoidal walls and rounded corners may offer better paste release. IPC-7525 may have alternate design recommendations.
12. Board assembly site may have different recommendations for stencil design.



## IMPORTANT NOTICE AND DISCLAIMER

TI PROVIDES TECHNICAL AND RELIABILITY DATA (INCLUDING DATA SHEETS), DESIGN RESOURCES (INCLUDING REFERENCE DESIGNS), APPLICATION OR OTHER DESIGN ADVICE, WEB TOOLS, SAFETY INFORMATION, AND OTHER RESOURCES "AS IS" AND WITH ALL FAULTS, AND DISCLAIMS ALL WARRANTIES, EXPRESS AND IMPLIED, INCLUDING WITHOUT LIMITATION ANY IMPLIED WARRANTIES OF MERCHANTABILITY, FITNESS FOR A PARTICULAR PURPOSE OR NON-INFRINGEMENT OF THIRD PARTY INTELLECTUAL PROPERTY RIGHTS.

These resources are intended for skilled developers designing with TI products. You are solely responsible for (1) selecting the appropriate TI products for your application, (2) designing, validating and testing your application, and (3) ensuring your application meets applicable standards, and any other safety, security, regulatory or other requirements.

These resources are subject to change without notice. TI grants you permission to use these resources only for development of an application that uses the TI products described in the resource. Other reproduction and display of these resources is prohibited. No license is granted to any other TI intellectual property right or to any third party intellectual property right. TI disclaims responsibility for, and you will fully indemnify TI and its representatives against, any claims, damages, costs, losses, and liabilities arising out of your use of these resources.

TI's products are provided subject to [TI's Terms of Sale](#) or other applicable terms available either on [ti.com](http://ti.com) or provided in conjunction with such TI products. TI's provision of these resources does not expand or otherwise alter TI's applicable warranties or warranty disclaimers for TI products.

TI objects to and rejects any additional or different terms you may have proposed.

Mailing Address: Texas Instruments, Post Office Box 655303, Dallas, Texas 75265  
Copyright © 2022, Texas Instruments Incorporated