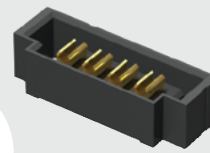
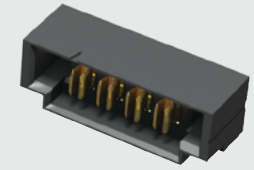


UPT-08-03.0-03-L-PV



UPT-04-01-01-L-RA



(3.81 mm) .150"

**UPT SERIES**

# DUAL BLADE 20 A POWER HEADER

## SPECIFICATIONS

For complete specifications see [www.samtec.com?UPT](http://www.samtec.com?UPT)

**Insulator Material:**

Black LCP

**Terminal Material:**

BeCu

**Plating:**

Sn or Au over 50 μ" (1.27 μm) Ni

**Operating Temp Range:**

-55 °C to +105 °C with Tin;

-55 °C to +125 °C with Gold

**Voltage Rating:**

438 VAC/620 VDC

**Standard Creepage:**

(5.5 mm) .217" (with -V)

(2.97 mm) .117" (with -RA)

**Standard Clearance:**

(1.51 mm) .059"

**RoHS Compliant:**

Yes

**Lead-Free Solderable:**

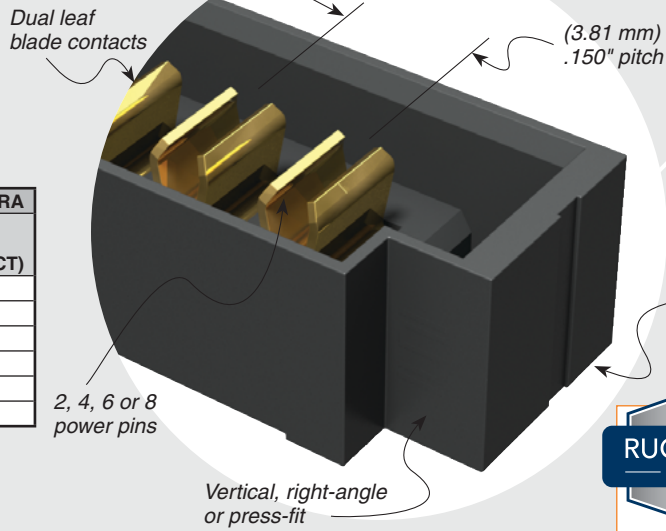
Yes

Mates with:

UPS

PINS	UPT-V/UPS-V	UPT-RA/UPS-RA
	CURRENT RATING (PER CONTACT)	CURRENT RATING (PER CONTACT)
1	23 A	23.5 A
2	18.6 A	20.1 A
3	17.5 A	16.9 A
4	16.7 A	15.5 A
8	14 A	13.3 A

-L PLATING



**RUGGEDIZED**  
BY SAMTEC

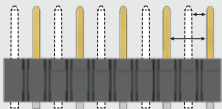
• Locking clip option

## RECOGNITIONS

For complete scope of recognitions see [www.samtec.com/quality](http://www.samtec.com/quality)



## CREEPAGE AND CLEARANCE



Selectively loading contacts achieves customer specific creepage and clearance requirements.  
Contact [asp@samtec.com](mailto:asp@samtec.com)

## ALSO AVAILABLE (MOQ Required)

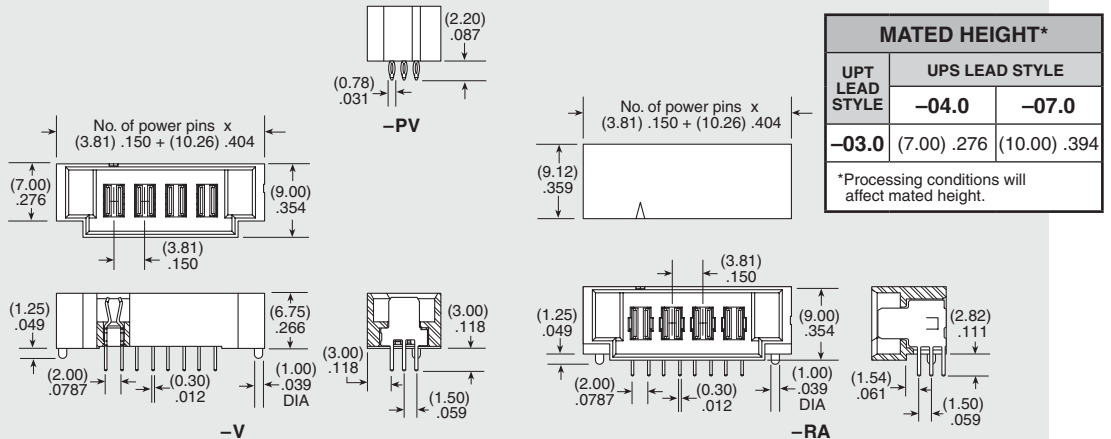
- Solder leads for (2.36 mm) .093" thick board

## TOOLING

Press-fit tooling available.

**Note:**  
Some sizes, styles and options are non-standard, non-returnable.

UPT	POWER PINS	LEAD STYLE	TAIL LENGTH	PLATING OPTION	TAIL	OTHER OPTION
-02, -04, -06, -08	-01 = RA only -03.0 = (03.0 mm) .118" (-V & -PV only)	-01 = Use with (1.60 mm) .062" Thick PCB (-V & -RA only) -03 = Use with (1.60 mm) .062" Thick PCB (-PV only)	-L = 10 μ" (0.25 μm) Gold on contact, Matte Tin on tail -T = Matte Tin (-RA option only)	-V = Vertical (Not available with -T plating) -RA = Right-angle -PV = Press-fit, Vertical	-LC = Locking Clip (Manual placement required) Not available with -PV option	



Due to technical progress, all designs, specifications and components are subject to change without notice.

[WWW.SAMTEC.COM](http://WWW.SAMTEC.COM)

All parts within this catalog are built to Samtec's specifications. Customer specific requirements must be approved by Samtec and identified in a Samtec customer-specific drawing to apply.