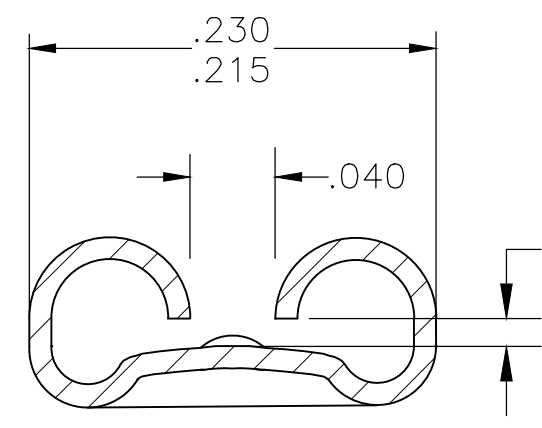
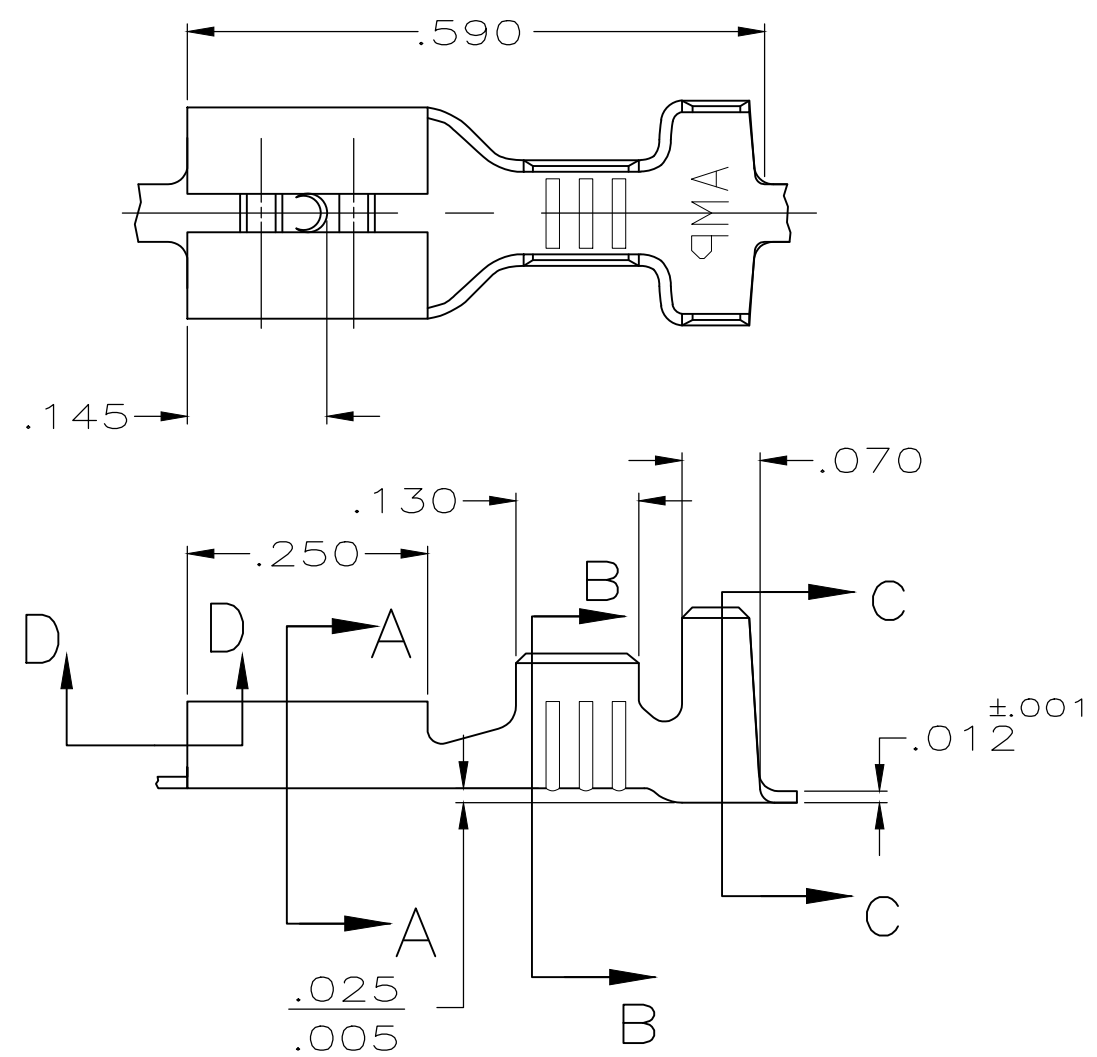


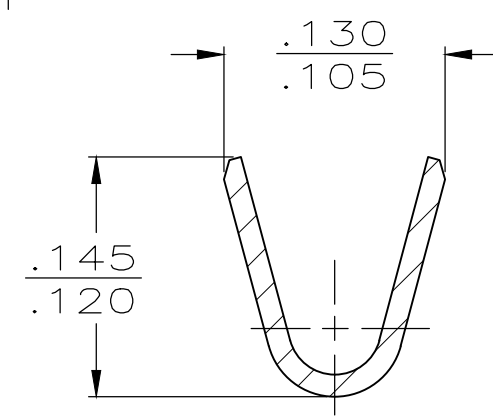
THIS DRAWING IS UNPUBLISHED. RELEASED FOR PUBLICATION
 © COPYRIGHT - By - ALL RIGHTS RESERVED.

LOC	DIST	REVISIONS			
P	LTR	DESCRIPTION	DATE	DWN	APVD
	P1	REVISED PER ECR-20-009164	27JUL2020	MK	DH

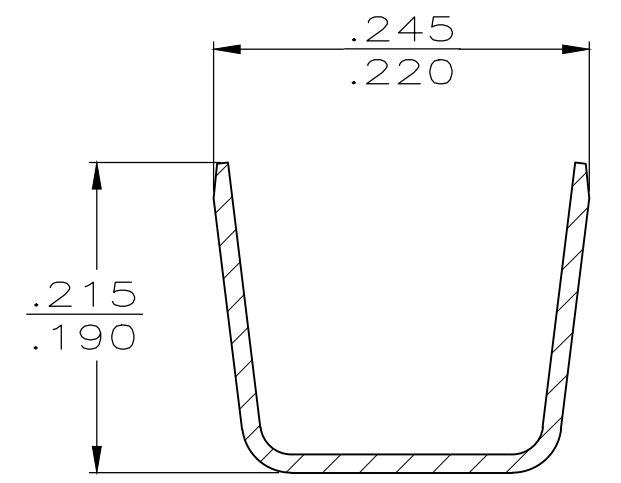
- CONTINUOUS STRIP ON REELS
- WIRE SIZE IS #18-#16 OR TWO #18'S.
- INSULATION RANGE IS .105-.210 OR TWO AT .105 MAX.
- MATING TAB THK IS .033-.030.



SECTION A-A
SCALE 8:1



SECTION B-B
SCALE 8:1



SECTION C-C
SCALE 8:1

SWAGE ON
61945-1 ONLY

SECTION D-D

.000150 MIN NICKEL	T2 STEEL	61945-2
TIN	BRASS	61945-1
FINISH	MATERIAL	PART NO.

TYPE	WIDTH	STRIP LENGTH ±.015	TYPE	WIDTH	#.002 HEIGHT	WIRE
F	.210	.188	F	.100	.055	16
					.049	18
INSUL BARREL CRIMP	WIRE BARREL CRIMP					

THIS DRAWING IS A CONTROLLED DOCUMENT.

DIMENSIONS: INCHES

TOLERANCES UNLESS OTHERWISE SPECIFIED:

0 PLC	± -
1 PLC	± -
2 PLC	± -
3 PLC	± .015
4 PLC	± -
ANGLES	± -

MATERIAL: SEE TABLE

FINISH: SEE TABLE

DWN JR RUTH 8/21/91
 CHK MS FEHER 8/21/91
 APVD C MEYERS 8/21/91

STE TE Connectivity

RECEPTACLE, FASTON, .187 SERIES

SIZE: A3 CAGE CODE: 00779 DRAWING NO: C-61945 RESTRICTED TO: -

CUSTOMER DRAWING SCALE: 5:1 SHEET: 1 OF 1 REV: P1