

# CGA6L1X7T2J104K160AE

TDK Item Description : CGA6L1X7T2J104KT\*\*\*S



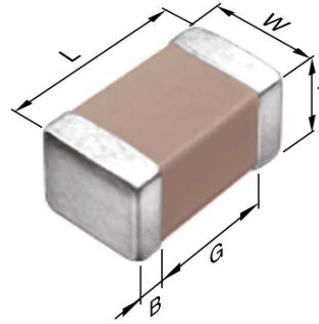
Equivalent C3225X7T2J104K for Automotive

## Application & Main Feature

Automotive Grade ( Soft Termination )

## Series

CGA6(3225) [EIA CC1210]



## Dimensions

L	3.20mm +0.5,-0.4mm
W	2.50mm +/-0.3mm
T	1.60mm +0.3,-0.2mm
B	0.20mm Min.
G	

## Temperature Characteristic

X7T (-55 to 125 degC +22,-33%)

## Rated Voltage

2J (630Vdc)

## Capacitance

100nF

## Capacitance Tolerance

K (+/-10%)

## Dissipation Factor

2.5% Max.

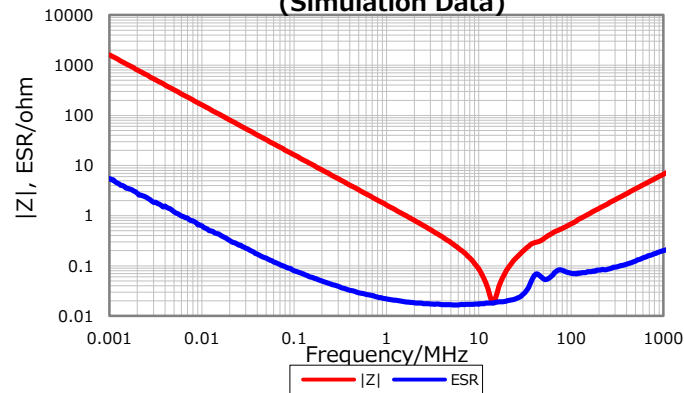
## Insulation Resistance

5Gohm Min

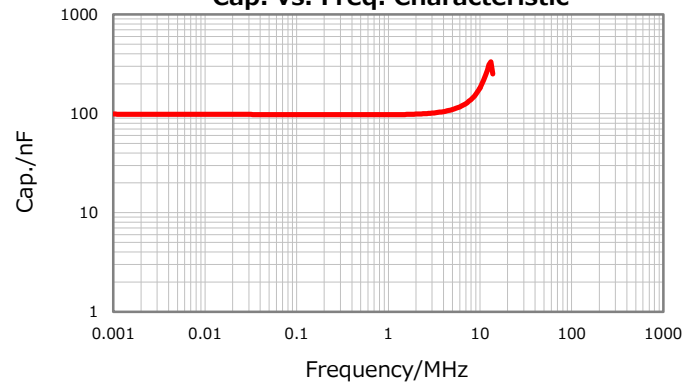
## AEC-Q200

Yes

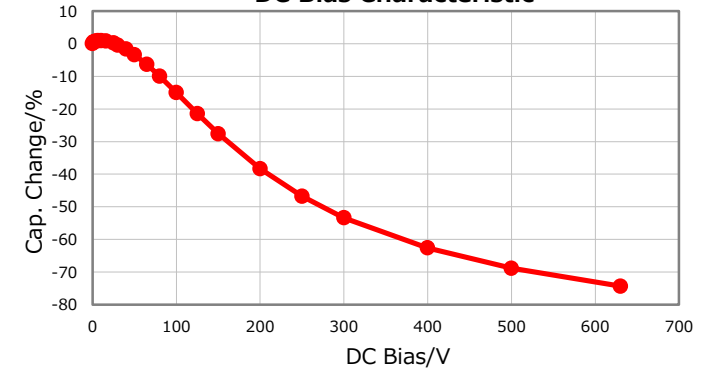
**|Z|, ESR vs. Freq. Characteristics (Simulation Data)**



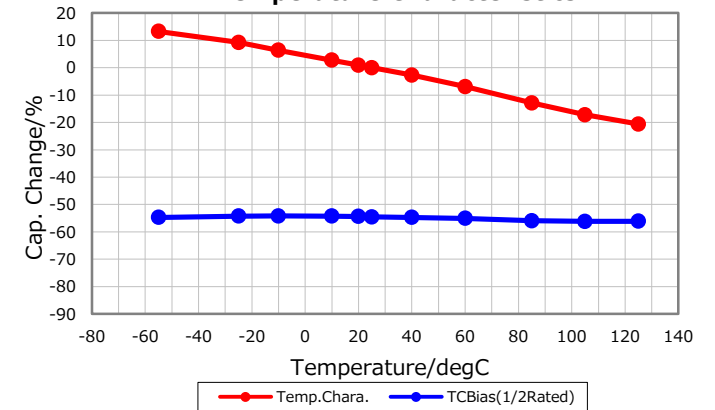
**Cap. vs. Freq. Characteristic**



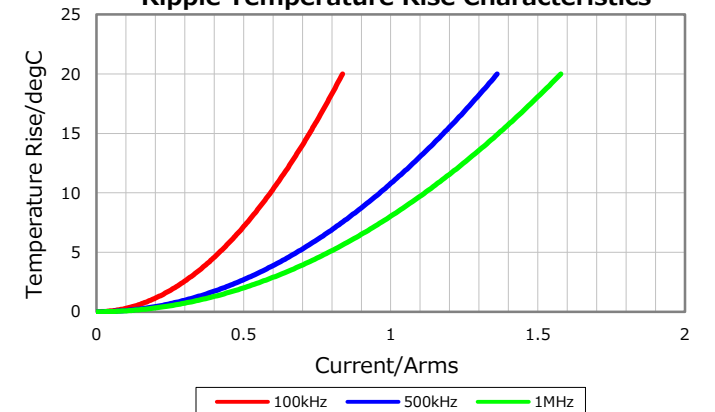
**DC Bias Characteristic**



**Temperature Characteristics**



**Ripple Temperature Rise Characteristics**



Characterization Sheet ( Multilayer Ceramic Chip Capacitors )



All specifications are subject to change without notice.

March 17, 2017