

NO: REL - 190	PRODUCT: G3VM-4NF – MOSFET Relay
DATE: March 2017	TYPE: DISCONTINUATION – Streamline Product Offering

G3VM-4NF MOSFET Relay – DISCONTINUATION (Partial)



In an effort to streamline our product offering and focus on popular models of Omron’s line of MOSFET Relays, OMRON will discontinue both G3VM-4NF/4NF(TR) relay models in February 2018. The suggested replacement will be our G3VM-401E/401E(TR) relay models which despite minor differences to the characteristics and operation ratings, can be considered to be functional equivalents. Please carefully read through this notification and note the differences. The following details will fully explain the discontinuation and replacement considerations; should you have any additional questions, however, please communicate with the Relay Product Specialist.

LAST Order date (Last Time Buy Date)

February 28, 2018

All orders entered by the LTB date will be shipped by the factory by the end of:

June, 2018

	Product Discontinuation		Suggested Replacement
	MOSFET Relay Model G3VM-4NF Model G3VM-4NF(TR)		MOSFET Relay Model G3VM-401E Model G3VM-401E(TR)

Differences from discontinued product:

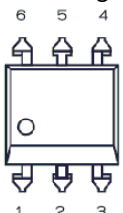
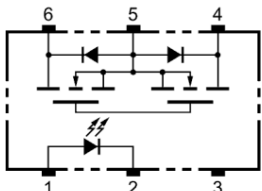
Suggested Replacement Model	Body Color	Dimen -sions	Wire connection	Mounting Dimensions	Charact -eristics	Operation ratings	Operation methods
G3VM-401E / 401E(TR)	**	**	**	**	*	*	**

- ** : Compatible
- * : The change is a little/Almost compatible
- : Not compatible
- : No corresponding specification

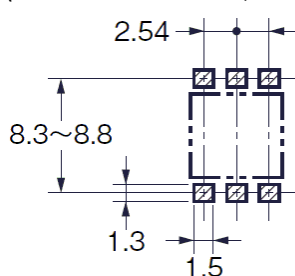
Body Color:

Discontinued Model G3VM-4NF / 4NF(TR)	Suggested Replacement Model G3VM-401E / 401E(TR)
White	White (No Change)

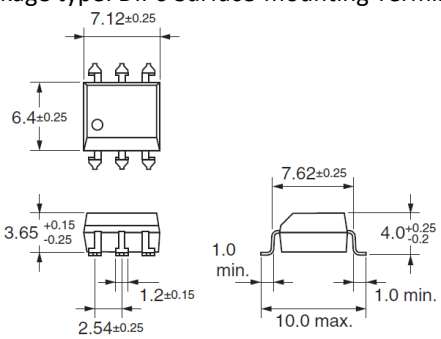
Wire Connection:

Discontinued Model G3VM-4NF / 4NF(TR)	Suggested Replacement Model G3VM-401E / 401E(TR)
<p>Package type: DIP6 Surface-mounting Terminals Terminal arrangement</p>  <p>Internal connections</p> 	<p>Same package, terminal arrangement and internal connections as listed on the left.</p>

Mounting Dimensions:

Discontinued Model G3VM-4NF / 4NF(TR)	Suggested Replacement Model G3VM-401E / 401E(TR)
<p>Package type: DIP6 Surface-mounting Terminals Actual Mounting Pad Dimensions (Recommended Value, TOP VIEW)</p> 	<p>Same surface-mounting terminals and pad dimensions as listed on the left.</p>

Dimensions:

Discontinued Model G3VM-4NF / 4NF(TR)	Suggested Replacement Model G3VM-401E / 401E(TR)
<p>Package type: DIP6 Surface-mounting Terminals</p> 	<p>All relay dimensions are the same as listed on the left.</p>

Characteristics:

Item				Discontinued Model G3VM-4NF / 4NF(TR)			Suggested Replacement Model G3VM-401E / 401E(TR)				
Absolute maximum Rating				Rating			Rating				
Input	LED forward current *	I_F	mA	30			50				
	Repetitive peak LED forward current	I_{FP}	A	1			1				
	LED reverse voltage	V_R	V	5			5				
Output	Load Voltage(AC/DC)	V_{OFF}	V	400			400				
	Continuous load current *	Connection A	I_O	mA	150			120			
		Connection B			200			120			
		Connection C			300			240			
Dielectric strength between input and output				V_{I-O}	V_{rms}	2500					
Operating Temperature				T_a	°C	-40 ~ + 85					
Storage Temperature				T_{stg}	°C	-55 ~ + 100					
Electrical Characteristics				Symbol	Unit	Min.	Typ.	Max	Min.	Typ.	Max
Input	LED Forward voltage *	V_F	V	1.2	1.4	1.7	1	1.15	1.3		
	Trigger LED Forward Current *	I_{FT}	mA	-	-	5	-	1	3		
Output	Maximum resistance with output ON *	Connection A	R_{ON}	Ω	-	8	12	-	17	35	
		Connection B			-	4	6	-	11	20	
		Connection C			-	2	3	-	6	10	
Current leakage when the relay is open				I_{LEAK}	A	-	-	1u	-	-	1u
Capacity between I/O terminals				C_{I-O}	pF	-	0.8	-	-	0.8	-
Insulation resistance between I/O terminals				R_{I-O}	M Ω	1000	-	-	1000	-	-
Turn-ON time				t_{ON}	ms	-	-	1	-	0.3	1
Turn-OFF time				t_{OFF}	ms	-	-	1	-	0.1	1

Details of Applicable Models:

G3VM Discontinued Model	G3VM Suggested Replacement Model
G3VM-4NF	G3VM-401E
G3VM-4NF(TR)	G3VM-401E(TR)

* Sales teams should communicate this discontinuation with their OEM's and CEM's.
For further technical support and any questions, please communicate with Product Marketing.

Specifications in this product news are as of the issue date and are subject to change without notice. Only main changes in specifications are described in this document. Please be sure to read the relevant catalogs, datasheets, product specifications, instructions, and manuals for precautions and necessary information when using products.

Last time buy dates are subject to change based on availability