

# MPC5125 Product Brief

Designed for telematics systems and high temperature industrial applications, the MPC5125 32-bit embedded controller is a device from Freescale Semiconductor's mobileGT™ family containing the e300 Power Architecture™ technology core. This core complies with the Power Architecture embedded category, and maintains binary compatible with other processors in the mobileGT product family such as the MPC5121e and MPC5200B. It offers a robust system performance with a smaller package size, while bringing you the reliability and familiarity of the proven Power Architecture technology. An ecosystem of third-party vendors is available to help simplify and speed system design. This document provides an overview of the MPC5125 microcontroller features, including the major functional components.

## Contents

1	Applications . . . . .	2
2	Features . . . . .	2
2.1	Block Diagram . . . . .	2
2.2	Operating Parameters . . . . .	3
2.3	Package . . . . .	3
2.4	Chip Level Features . . . . .	3
2.5	Module Features . . . . .	3
2.5.1	e300 Processor Core . . . . .	3
2.5.2	Display Interface Unit (DIU) . . . . .	4
2.5.3	USB Controller . . . . .	4
2.5.4	Direct Memory Access (DMA) Controller . . . . .	4
2.5.5	DDR SDRAM Memory Controller . . . . .	4
2.5.6	32 KB On-chip SRAM . . . . .	4
2.5.7	Fast Ethernet Controller (FEC) . . . . .	4
2.5.8	NAND Flash Interface . . . . .	5
2.5.9	Local Plus Bus (LPC) Interface . . . . .	5
2.5.10	Secure Digital Host Controller (SDHC) . . . . .	5
2.5.11	Controller Area Network (CAN) . . . . .	5
2.5.12	Integrated Circuit Communication (I <sup>2</sup> C) . . . . .	5
2.5.13	Programmable Serial Controller (PSC) . . . . .	5
2.5.14	J1850 Byte Data Link Controller (BDLC) Interface . . . . .	6
2.5.15	General Purpose I/Os (GPIO) . . . . .	6
2.5.16	On-chip Real-time Clock (RTC) . . . . .	6
2.5.17	IC Identification Module (IIM) . . . . .	6
2.5.18	On-chip Temperature Sensor . . . . .	6
2.5.19	Power Modes . . . . .	6
2.5.20	System Timer . . . . .	7
2.5.21	IEEE 1149.1 Compliant JTAG Boundary Scan . . . . .	7
3	Developer Environment . . . . .	7

# 1 Applications

The MPC5125 is well suited to network-connected automotive and industrial applications that require complex real-time control and robust performance, such as the following:

- Telematics
- Industrial automation
- Avionics
- Robotics
- Motion control
- Utilities / Power Management
- Medical instrumentation

# 2 Features

## 2.1 Block Diagram

Figure 1 shows a top-level block diagram of the MPC5125.

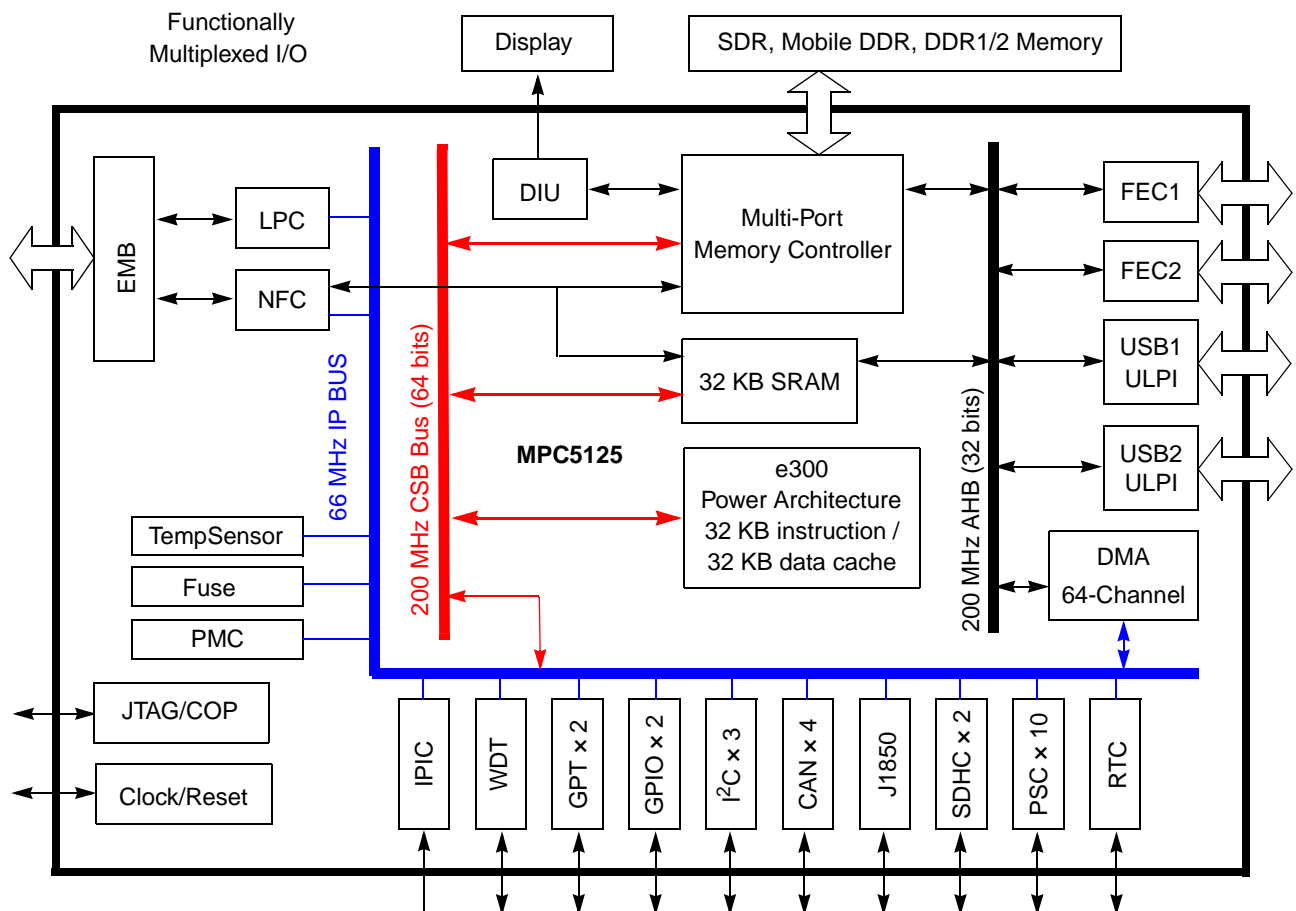


Figure 1. Simplified MPC5125 Block Diagram

## 2.2 Operating Parameters

- As fast as 400 MHz
- –40 to 125 °C junction temperature

## 2.3 Package

- 324-pin plastic ball grid array (TEPBGA)

## 2.4 Chip Level Features

Major features of the MPC5125 are as follows:

- e300 Power Architecture processor core (enhanced version of the MPC603e core), operates as fast as 400 MHz
- Low power design
- Display interface unit (DIU)
- DDR1, DDR2, low-power mobile DDR (LPDDR), and 1.8 V/3.3 V SDR DRAM memory controllers
- 32 KB on-chip SRAM
- USB 2.0 OTG controller with ULPI interface
- DMA subsystem
- Flexible multi-function external memory bus (EMB) interface
- NAND flash controller (NFC)
- LocalPlus interface (LPC)
- 10/100Base Ethernet
- MMC/SD/SDIO card host controller (SDHC)
- Programmable serial controller (PSC)
- Inter-integrated circuit (I<sup>2</sup>C) communication interfaces
- Controller area network (CAN)
- J1850 byte data link controller (BDLC) interface
- On-chip real-time clock (RTC)
- On-chip temperature sensor
- IC Identification module (IIM)

## 2.5 Module Features

The following is a brief summary of the functional blocks in the MPC5125. For more detailed information, refer to the *MPC5125 Reference Manual* (MPC5125RM).

### 2.5.1 e300 Processor Core

- Power Architecture instruction set

## Features

- 32 KB instruction cache
- 32 KB data cache
- High-performance, superscalar processor core with a four-stage pipeline
- Dual-issue processor with integrated floating-point unit and dual integer units
- Dynamic power management

### 2.5.2 Display Interface Unit (DIU)

- Supports LCD display resolution as high as  $1280 \times 720$
- Supports refresh rate as high as 60 Hz
- Color depth as high as 24 bits per pixel
- Hardware n-plane accelerated blending

### 2.5.3 USB Controller

- Two on-chip USB controllers with On-The-Go (OTG) host/device capability
- Each supports high-speed (480 Mbps), full-speed (12 Mbps), and low-speed (1.5 Mbps)
- Both USB controllers can be accessed through the ULPI interface

### 2.5.4 Direct Memory Access (DMA) Controller

- 64-channel on-chip DMA engine with advanced capabilities
- Supports channel linking and scatter/gather processing

### 2.5.5 DDR SDRAM Memory Controller

- Supports 16-bit wide and 32-bit wide DDR1, DDR2, and LPDDR, 32-bit SDR SDRAM devices at speeds as fast as 200 MHz
- Supports two chip selects

### 2.5.6 32 KB On-chip SRAM

- Usable as e300 core scratch pad memory

### 2.5.7 Fast Ethernet Controller (FEC)

- Two Ethernet controllers
- Supports 100 Mbps/10 Mbps IEEE 802.3 MII
- Supports 10 Mbps 7-wire interface
- IEEE 802.3 full duplex flow control
- Supports RMII interface

## 2.5.8 NAND Flash Interface

- Supports NAND flashes with 8-bit or 16-bit data width
- Supports booting from page size  $\geq 2$  KB NAND devices
- Supports 512 byte/2 KB/4 KB/8 KB page NAND devices
- Supports four chip selects
- BCH ECC engine, 0/4/6/8/12/16/24/32-bit error correction mode

## 2.5.9 Local Plus Bus (LPC) Interface

- Interface to external memory-mapped or chip-selected devices
- 32-bit address bus
- 32-bit data bus
- Eight chip selects
- Supports burst mode flash
- Supports 32-bit ALE-muxed interface
- Supports as many as 42-bit non-muxed interfaces
- Supports large-packet DMA transfers

## 2.5.10 Secure Digital Host Controller (SDHC)

- Two SD/SDIO/MMC card interfaces
- Compliant with SD and SDIO specification version 1.x
- Compliant with MMC card specification
- 200 Mbps data rate in 4-bit mode

## 2.5.11 Controller Area Network (CAN)

- Four CAN interfaces
- Implementation of CAN protocol, version 2.0 A/B
- Programmable wakeup functionality
- Both support either low speed or high speed

## 2.5.12 Integrated Circuit Communication (I<sup>2</sup>C)

- Three inter-integrated circuit (I<sup>2</sup>C) communication interfaces
- Input digital noise filtering
- Master and slave modes supported

## 2.5.13 Programmable Serial Controller (PSC)

- Ten programmable serial controllers (PSC)

## Features

- Each PSC is a flexible serial communication engine, supporting the following protocols:
  - Universal asynchronous receiver/transmitter (UART)
  - Codec/Pulse-code modulation (PCM)
  - Inter-IC sound bus (I<sup>2</sup>S)
  - Serial Peripheral Interface (SPI)
  - AC97
- Each PSC is serviced by a centralized FIFO to provide buffer storage

### 2.5.14 J1850 Byte Data Link Controller (BDLC) Interface

- SAE J1850 Class B data communications network interface compliant
- ISO-compatible for low speed (< 125 Kbps) serial data communications
- Digital noise filter

### 2.5.15 General Purpose I/Os (GPIO)

- 64 general-purpose I/Os (GPIOs)
- Four GPIOs in V<sub>BAT</sub> power domain available for external wake up

### 2.5.16 On-chip Real-time Clock (RTC)

- Real-time clock runs from separate V<sub>BAT</sub> power domain
- Programmable alarm
- Periodic interrupts for one second, one minute, one day
- Runs with external 32 kHz crystal or external clock source

### 2.5.17 IC Identification Module (IIM)

- One fuse bank user space (32 bytes)

### 2.5.18 On-chip Temperature Sensor

- Capable of generating an interrupt at a programmable temperature level

### 2.5.19 Power Modes

- Run
- Doze
- Nap
- Sleep
- Deep sleep mode
- Hibernation mode

### 2.5.20 System Timer

- Real-time clock
- 16 general-purpose timers

### 2.5.21 IEEE 1149.1 Compliant JTAG Boundary Scan

## 3 Developer Environment

The MPC5125 supports similar tools and third party developers as other mobileGT products, offering a widespread, established network of tools and software vendors.

The following development support is available.

- Evaluation/development boards
- IDE/tool chains
- C/C++ compilers
- Hardware and software debuggers
- Initialization/boot code generators
- Software libraries
- Device/module drivers
- JTAG interfaces
- Third party real-time operating systems (RTOS)

## **How to Reach Us:**

### **Home Page:**

[www.freescale.com](http://www.freescale.com)

### **Web Support:**

<http://www.freescale.com/support>

### **USA/Europe or Locations Not Listed:**

Freescale Semiconductor, Inc.  
Technical Information Center, EL516  
2100 East Elliot Road  
Tempe, Arizona 85284  
1-800-521-6274 or +1-480-768-2130  
[www.freescale.com/support](http://www.freescale.com/support)

### **Europe, Middle East, and Africa:**

Freescale Halbleiter Deutschland GmbH  
Technical Information Center  
Schatzbogen 7  
81829 Muenchen, Germany  
+44 1296 380 456 (English)  
+46 8 52200080 (English)  
+49 89 92103 559 (German)  
+33 1 69 35 48 48 (French)  
[www.freescale.com/support](http://www.freescale.com/support)

### **Japan:**

Freescale Semiconductor Japan Ltd.  
Headquarters  
ARCO Tower 15F  
1-8-1, Shimo-Meguro, Meguro-ku,  
Tokyo 153-0064  
Japan  
0120 191014 or +81 3 5437 9125  
[support.japan@freescale.com](mailto:support.japan@freescale.com)

### **Asia/Pacific:**

Freescale Semiconductor China Ltd.  
Exchange Building 23F  
No. 118 Jianguo Road  
Chaoyang District  
Beijing 100022  
China  
+86 10 5879 8000  
[support.asia@freescale.com](mailto:support.asia@freescale.com)

### **For Literature Requests Only:**

Freescale Semiconductor Literature Distribution Center  
P.O. Box 5405  
Denver, Colorado 80217  
1-800-441-2447 or +1-303-675-2140  
Fax: +1-303-675-2150  
[LDCForFreescaleSemiconductor@hibbertgroup.com](mailto:LDCForFreescaleSemiconductor@hibbertgroup.com)

Document Number: MPC5125PB

Rev. 2

7/2009

Information in this document is provided solely to enable system and software implementers to use Freescale Semiconductor products. There are no express or implied copyright licenses granted hereunder to design or fabricate any integrated circuits or integrated circuits based on the information in this document.

Freescale Semiconductor reserves the right to make changes without further notice to any products herein. Freescale Semiconductor makes no warranty, representation or guarantee regarding the suitability of its products for any particular purpose, nor does Freescale Semiconductor assume any liability arising out of the application or use of any product or circuit, and specifically disclaims any and all liability, including without limitation consequential or incidental damages. "Typical" parameters that may be provided in Freescale Semiconductor data sheets and/or specifications can and do vary in different applications and actual performance may vary over time. All operating parameters, including "Typicals", must be validated for each customer application by customer's technical experts. Freescale Semiconductor does not convey any license under its patent rights nor the rights of others. Freescale Semiconductor products are not designed, intended, or authorized for use as components in systems intended for surgical implant into the body, or other applications intended to support or sustain life, or for any other application in which the failure of the Freescale Semiconductor product could create a situation where personal injury or death may occur. Should Buyer purchase or use Freescale Semiconductor products for any such unintended or unauthorized application, Buyer shall indemnify and hold Freescale Semiconductor and its officers, employees, subsidiaries, affiliates, and distributors harmless against all claims, costs, damages, and expenses, and reasonable attorney fees arising out of, directly or indirectly, any claim of personal injury or death associated with such unintended or unauthorized use, even if such claim alleges that Freescale Semiconductor was negligent regarding the design or manufacture of the part.

Freescale™ and the Freescale logo are trademarks of Freescale Semiconductor, Inc. All other product or service names are the property of their respective owners.

The Power Architecture and Power.org wordmarks and the Power and Power.org logos and related marks are trademarks and service marks licensed by Power.org.

© Freescale Semiconductor, Inc. 2008, 2009. All rights reserved.