

Würth Elektronik eiSos GmbH & Co. KG

EMC & Inductive Solutions

Max-Eyth-Straße 1 · 74638 Waldenburg · Germany

Tel. +49 (0) 79 42 945-0 · Fax +49 (0) 79 42 945-400

eiSos@we-online.de · www.we-online.de



Product / Process Change Notification (PCN)

- Major change
 Minor change

PCN #: PCN_ConPSHD_20200316

Affected Series: 6100xx21121; 6103xx21121

PCN Date: December 20, 2019

Effective Date: March 20, 2020

Change Category:

- Equipment / Location
 General Data
 Material
 Process
 Product Design
 Shipping / Packaging
 Supplier
 Software

Contact: Product Management

Phone: +49 (0) 7942 - 945 5001

Fax: +49 (0) 7942 - 945 5179

E-Mail: pcn.eican@we-online.com

Data Sheet Change:

- Yes No

Attachment:

- Yes No

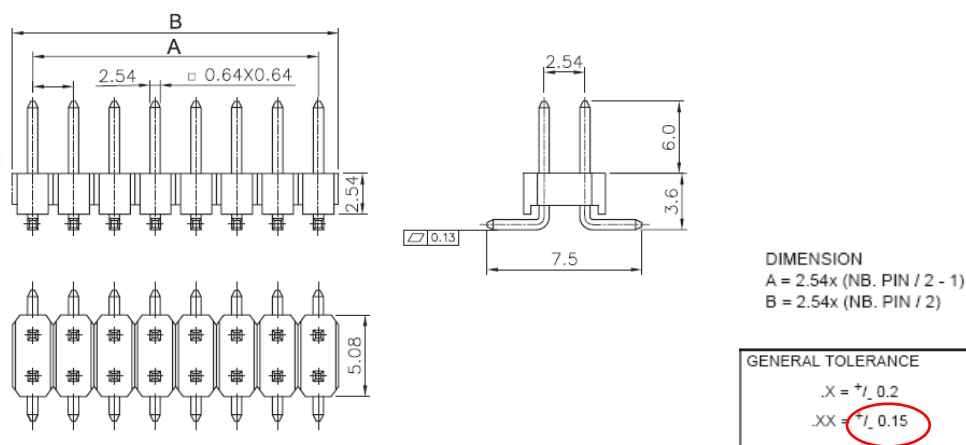
DESCRIPTION AND PURPOSE OF CHANGE:

Due to internal standardization Würth Elektronik will update the format of the datasheet and correct the missing tolerance of the housing dimension.

This is a datasheet correction only. There will be no change in form, fit, function, quality or reliability of the product.

DETAIL OF CHANGE:

Previous Drawing



Würth Elektronik eiSos GmbH & Co. KG

EMC & Inductive Solutions

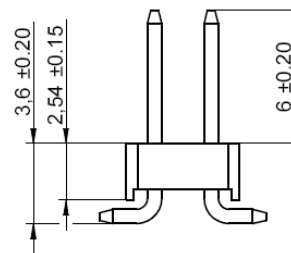
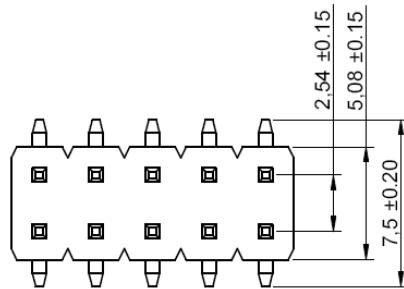
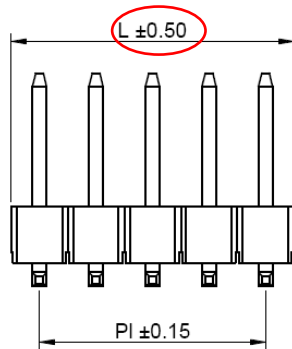
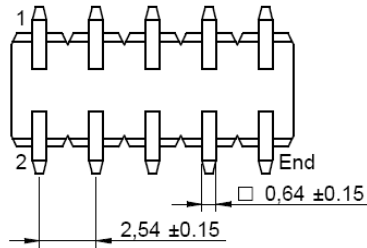
Max-Eyth-Straße 1 · 74638 Waldenburg · Germany

Tel. +49 (0) 79 42 945-0 · Fax +49 (0) 79 42 945-400

eiSos@we-online.de · www.we-online.de



Updated Drawing



Pins	L (mm)
4	5.08
6	7.62
8	10.16
10	12.7
12	15.24
14	17.78
16	20.32
20	25.4

RELIABILITY / QUALIFICATION SUMMARY:

There will be no change of the product, therefore no additional reliability or qualification testing will be performed.