

**User Registration**

Register today to create your account on Silabs.com. Your personalized profile allows you to receive technical document updates, new product announcements, "how-to" and design documents, product change notices (PCN) and other valuable content available only to registered users. <http://www.silabs.com/profile>

<b>Bulletin Date:</b> 6/9/2015		<b>Bulletin Effective Date:</b> 6/9/2015	
<b>Title:</b> Si3226x-C Product Family Test and Shipment Site Addition - ASE Korea			
<b>Originator:</b> GeunJong Baek		<b>Phone:</b> +65 6511 6476	<b>Dept:</b> Supplier Management
<b>Customer Contact:</b> Kathy Haggar		<b>Phone:</b> +1 512 532 5261	<b>Dept:</b> Sales

**Bulletin Details**

**Description:**

Silicon Labs is pleased to announce the addition of ASE Korea as a Test and Shipping site for Si3226x-C Product Family.

ASE Korea uses the same testing equipment, hardware and test programs used at other Silicon Labs' approved test and shipping locations for the Si3226x-C Product Family.

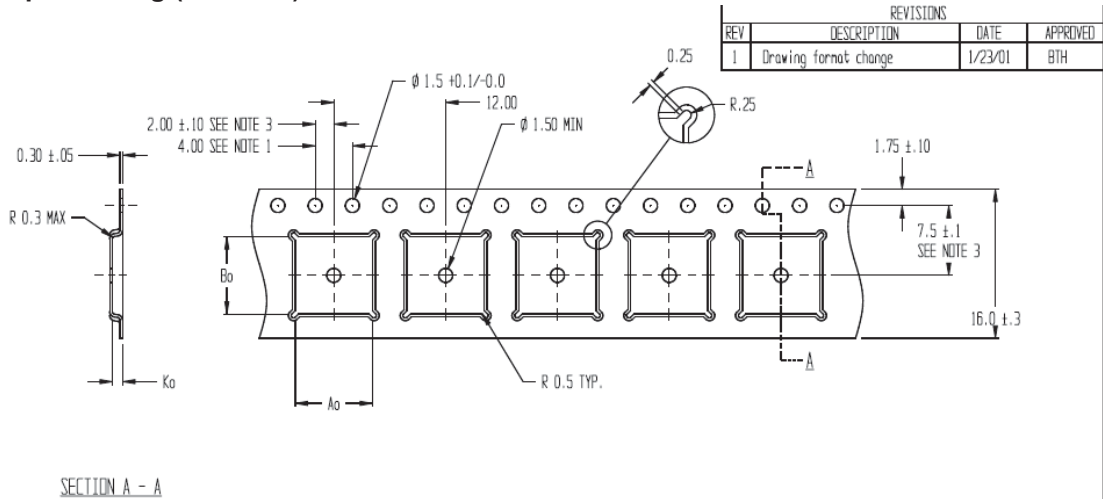
ASE Korea is an existing test supplier for Silicon Labs, and is certified and registered to ISO9001, ISO14001 and ISO/TS16949.

Both materials meet EIA-481 specifications. For Non-Reel parts, both sites are using exactly the same shipping media (tray). For detailed comparison of shipment materials, please refer to the Appendix below.

**Appendix A(Carrier tape comparison for 8x8 PKG)**

Item	KYEC	ASEKR	Comparison remark
Vendor	Advantek	Kostat	
part#	ML0808-A	K50999A048J / MLF8X8	
Measurement unit	mm	mm	
Carrier tape width	16.0+/-0.3	16.2+/-0.1	OK, meets EIA 481
Pocket pitch	12.00+/-0.1	12.00+/-0.1	No difference
Sprocket pitch	4.00+/-0.2	4.00+/-0.10	OK, meets EIA 481
Pocket hole to sprocket hole distance	2.00+/-0.10	2.00+/-0.10	No difference
Sprocket hole diameter	1.5+0.1/-0.0	1.5+0.1/-0.0	No difference
Pocket hole diameter	1.50MIN	1.50MIN	No difference
Ao	8.30+/-0.10	8.30+/-0.10	No difference
Bo	8.30+/-0.10	8.30+/-0.10	No difference
Ko	1.10+/-0.10	1.10+/-0.10	No difference

**Carrier tape drawing (8x8 PKG) from KYEC**

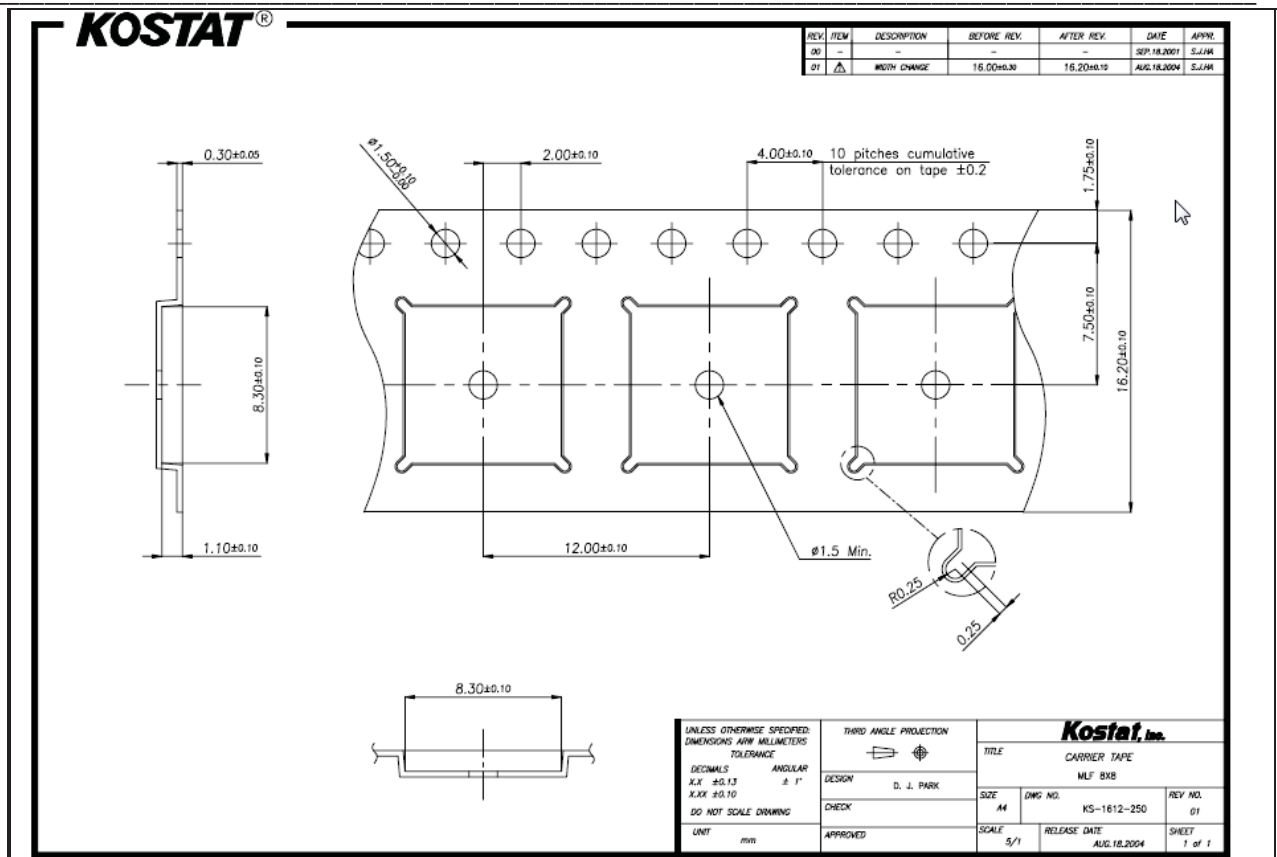


$A_0 = 8.30$   
 $B_0 = 8.30$   
 $K_0 = 1.10$

- NOTES:
1. 10 SPROCKET HOLE PITCH CUMULATIVE TOLERANCE  $\pm 0.2$
  2. CAMBER IN COMPLIANCE WITH EIA 481
  3. POCKET POSITION RELATIVE TO SPROCKET HOLE MEASURED AS TRUE POSITION OF POCKET, NOT POCKET HOLE

<b>ADVANTEK</b>			
TITLE ADVANTEK PART DRAWING NUMBER ML0808-A			
CARRIER TAPE			
TOLERANCES - UNLESS NOTED 1PL $\pm 0.2$ 2PL $\pm 0.10$	MATERIAL PS+C	DWG SIZE B	
ALL DIMENSIONS IN MILLIMETERS	SCALE 3:1	SHEET 1 OF 1	
DRAWN BY TMD/BTH	DATE 10/8/99	DWG NO. T102534AT	REV 1
REFERENCE NO. T-9207			

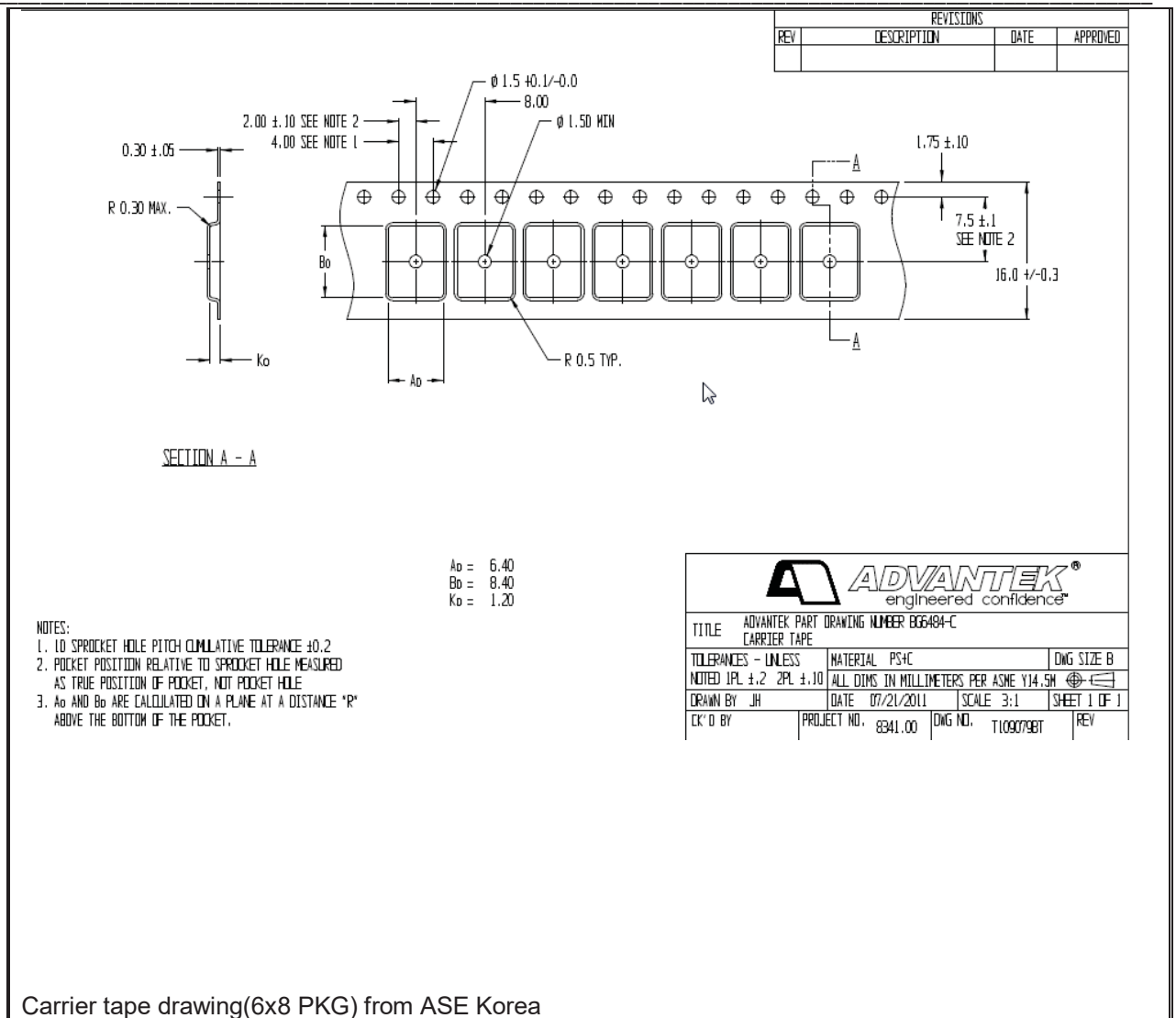
**Carrier tape drawing (8x8 PKG) from ASE Korea**



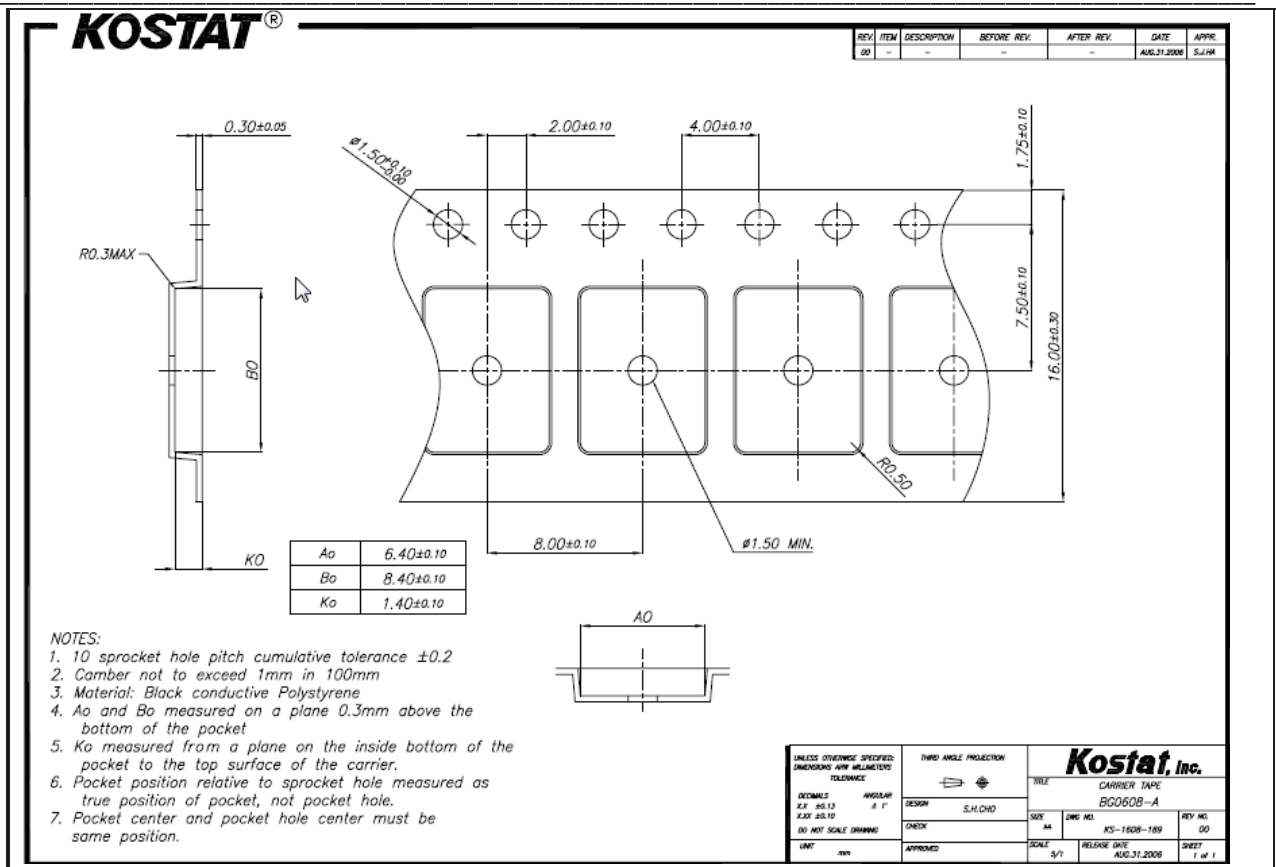
Appendix B(Carrier tape comparison for 6x8 PKG)

Item	KYEC	ASEKR	Comparison remark
Vendor	Advantek	Kostat	
part#	BG6484-C	K50999A143J / BG0608-A	
Measurement unit	mm	mm	
Carrier tape width	16.0+/-0.3	16.0+/-0.3	No difference
Pocket pitch	8.00+/-0.1	8.00+/-0.1	No difference
Sprocket pitch	4.00+/-0.2	4.00+/-0.10	OK, meets EIA 481
Pocket hole to sprocket hole distance	2.00+/-0.10	2.00+/-0.10	No difference
Sprocket hole diameter	1.5+0.1/-0.0	1.5+0.1/-0.0	No difference
Pocket hole diameter	1.50MIN	1.50MIN	No difference
Ao	6.40+/-0.10	6.40+/-0.10	No difference
Bo	8.40+/-0.10	8.40+/-0.10	No difference
Ko	1.20+/-0.10	1.40+/-0.10	OK, meets EIA 481

Carrier tape drawing (6x8 PKG) from KYEC



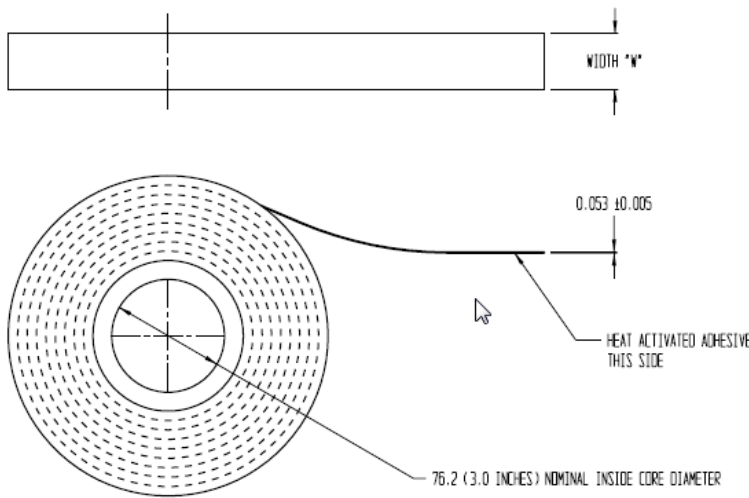
Carrier tape drawing(6x8 PKG) from ASE Korea



Appendix C(Cover Tape comparison from both Ship sites)

Item	KYEC	ASEKR	Comparison remark
Vendor	Advantek	Kostat	
part#	ABX0133	K50999A234J / KAH7 133500	
Measurement unit	mm	mm	
Width	13.3+/-0.10	13.3+/-0.10	No difference
Length	300	300	No difference

Cover tape from KYEC



REVISIONS			
REV	DESCRIPTION	DATE	APPROVED
1	R-10388	12/11/04	BN
2	R-10426	06/17/06	MLA

PART NO.	WIDTH *W
ABX0053	5.3 ±0.10mm
ABX0054	5.4 ±0.10mm
ABX0055	5.5 ±0.10mm
ABX0092	9.2 ±0.10mm
ABX0095	9.5 ±0.10mm
ABX0131	13.1 ±0.10mm
ABX0133	13.3 ±0.10mm
ABX0210	21.0 ±0.10mm
ABX0213	21.3 ±0.10mm
ABX0255	25.5 ±0.10mm
ABX0260	26.0 ±0.10mm
ABX0301	30.1 ±0.10mm
ABX0375	37.5 ±0.10mm
ABX0495	49.5 ±0.10mm
ABX0655	65.5 ±0.15mm
ABX0815	81.5 ±0.15mm
ABX1135	113.5 ±0.20mm

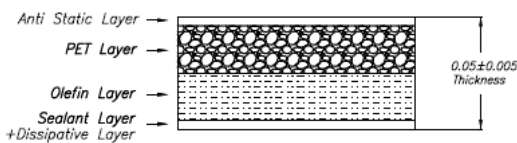
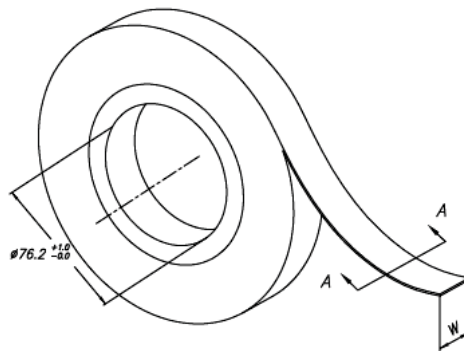
- NOTE:
- STANDARD ROLL TO CONTAIN 300 METERS OF SPLICE-FREE MATERIAL
  - ROLLS OTHER THAN THE STANDARD LENGTH WILL BE DESIGNATED BY ADDING THE LENGTH TO THE EXISTING PART NUMBER  
EXAMPLE: ABX0210-XXX, WHERE XXX EQUALS LENGTH
  - MATERIAL: POLYESTER FILM WITH ANTISTATIC AND ADHESIVE COATINGS
  - COLOR: GRAY/GREEN

**ADVANTEK**

TITLE TYPE "ABx" ANTISTATIC COVER TAPE			
TOLERANCES - UNLESS NOTED 1PL ±.2 2PL ±.10		MATERIAL SEE NOTE 3	
ALL DIMENSIONS IN MILLIMETERS DIM SIZE B			
DRAWN BY BN	DATE 11/11/1993	SCALE NONE	SHEET 1 OF 1
REFERENCE NO.	DWG NO. R10494BAP	REV 2	

Cover tape from ASEKR

**KOSTAT®**



- NOTE:
- MATERIAL: POLYESTER FILM
  - COLOR: TRANSPARENT
  - DESCRIPTION: HEAT ACTIVATED SEAL TAPE
  - ALL DIMENSIONS ARE IN MILLIMETERS
  - ESD:  $10^9$  to  $10^{11}$  ohms/SQ.
  - CORE MATERIAL: ABS

<Tape Size Information>

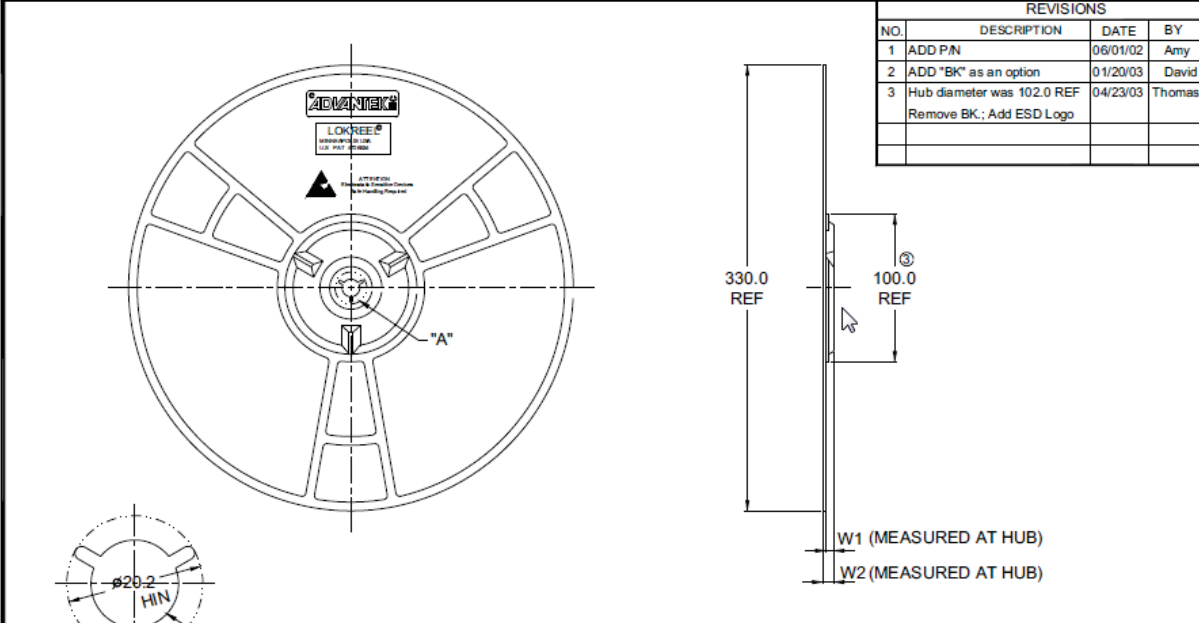
CARRIER TAPE WIDTH	COVER TAPE DIMENSION	
	WIDTH	LENGTH
16 mm	13.30 ±0.1	500M

3MM ANGLE PROJECTION		<b>Kostat, Inc.</b>	
SHEET 1 OF 1		TITLE COVER TAPE FOR KAH 7	
DESIGN D.H.LEE	DATE	DWG NO. KS-NAH7-133500	REV NO. 01
CHECK W.D.JU	SCALE	RELEASE DATE JAN.03.2013	DWG# 1 of 1
APPROVED J.Y.CHEH	REV		

Appendix D(Plastic Reel comparison from both Ship sites)

Item	KYEC	ASEKR	Comparison remark
Vendor	Advantek	Kostat	
part#	RD33008SW	K50999A437 / KS-330x100	
Measurement unit	mm	mm	
Reel Hub Width(W1)	16.8+0.3/-0.2	16.4+2.0/-0.0	OK, Meets EIA 481
Reel Outer Width(W2)	22.2 Max	20.4+2.0/-2.0	OK, Meets EIA 481

Plastic Reel drawing from KYEC



The drawing shows a plastic reel with a central hub and spokes. The front view includes logos for Advantek and Lokreel, and a note about handling. The side view shows a total height of 330.0 REF and a hub diameter of 100.0 REF. A detail view of the hub shows a diameter of 20.2 and a width of 2.0 ± 0.5. A dimension of 13.0 ± 0.2 is also indicated.

REVISIONS			
NO.	DESCRIPTION	DATE	BY
1	ADD P/N	06/01/02	Amy
2	ADD "BK" as an option	01/20/03	David
3	Hub diameter was 102.0 REF Remove BK.; Add ESD Logo	04/23/03	Thomas

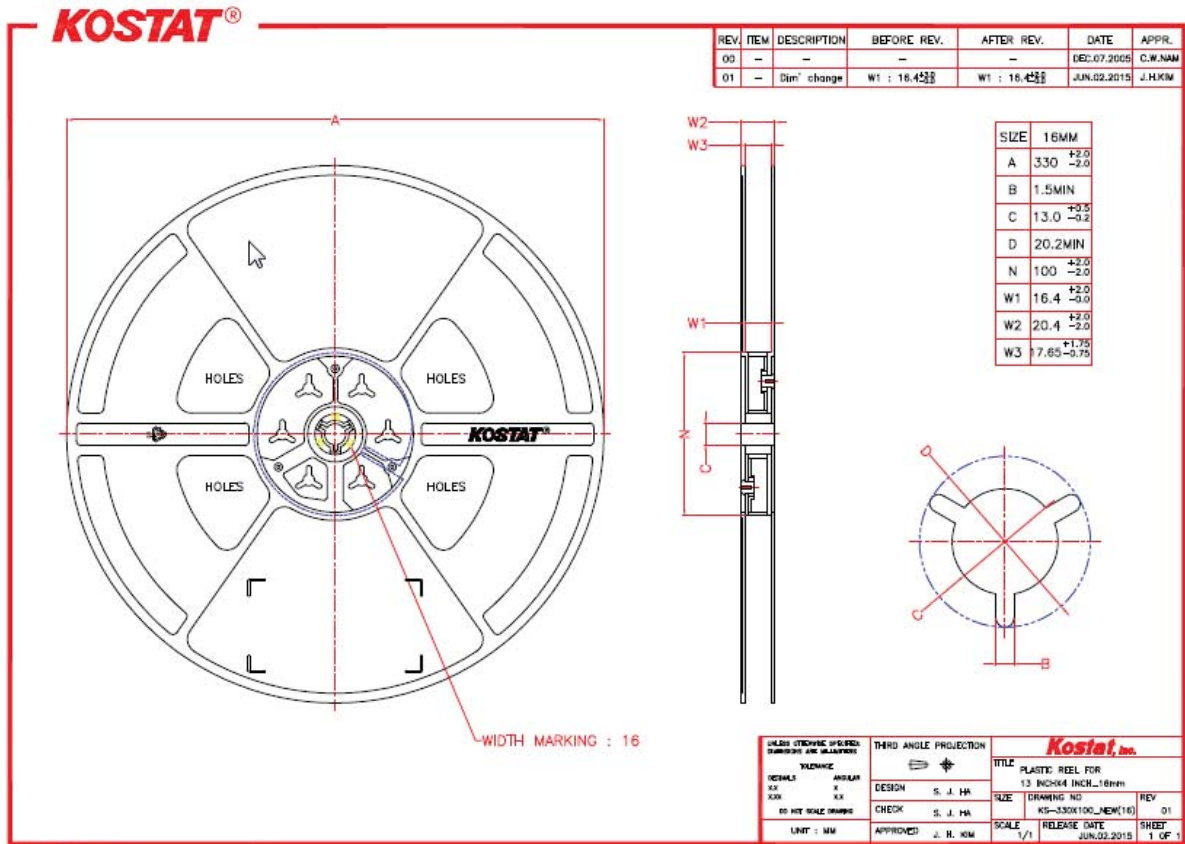
Part Number	Nominal Hub Width	W1 +0.3mm -0.2mm	W2 MAX
RD33004SW	4mm	4.4mm	7.1mm
RD33004SW-BL ③ ②	4mm	4.4mm	7.1mm
<b>RD33008SW</b>	8mm	8.4mm	11.1mm
RD33008SW-BL ③ ②	8mm	8.4mm	11.1mm
RD33016SW	16mm	16.4mm	19.1mm
RD33016SW-BL ③ ②	16mm	16.4mm	19.1mm
① RD33028SW	28mm	28.4mm	31.1mm
① RD33028SW-BL ③ ②	28mm	28.4mm	31.1mm

-All Dimensions in Millimeters-

TOLERANCES (EXCEPT AS NOTED)		Advantek Lokreel P/N: RD330XXSW-(BL)	
DECIMAL		<b>ADVANTEK</b>	
0.2			
DRAWN BY	SCALE	MATERIAL	
Joyce Fu	1/3	High Impact PS	
APPROVED BY	DATE	DRAWING NO.	REV
David Young	08/02/99	B0224-93-1-T	3
REFERENCE NO.			

**Notes:**  
 1. SW standard reel  
 2. BL stands for blue reel

Plastic Reel from ASEKR



**Reason:**

Test capacity expansion for continuity of supply

**Product Identification:**

- |                |                |
|----------------|----------------|
| SI32260-C-FM1  | SI32266-C-FM1  |
| SI32260-C-FM1R | SI32266-C-FM1R |
| SI32260-C-FM2  | SI32266-C-GM1  |
| SI32260-C-FM2R | SI32266-C-GM1R |
| SI32260-C-GM1  | SI32267-C-FM1  |
| SI32260-C-GM1R | SI32267-C-FM1R |
| SI32260-C-GM2  | SI32267-C-GM1  |
| SI32260-C-GM2R | SI32267-C-GM1R |
| SI32261-C-FM1  | SI32268-C-FM1  |
| SI32261-C-FM1R | SI32268-C-FM1R |
| SI32261-C-FM2  | SI32268-C-GM1  |
| SI32261-C-FM2R | SI32268-C-GM1R |
| SI32261-C-GM1  | SI32269-C-FM1  |
| SI32261-C-GM1R | SI32269-C-FM1R |
| SI32261-C-GM2  | SI32269-C-GM1  |
| SI32261-C-GM2R | SI32269-C-GM1R |





## Bulletin #1506093

This change is considered a minor change which does not affect form, fit, function, quality, or reliability. The information is being provided as a customer courtesy.

Please contact your local Silicon Labs sales representative with any questions about this notification. A list of Silicon Labs sales representatives may be found at [www.silabs.com](http://www.silabs.com)

**Customer Actions Needed:**

N/A