

## Description

The AUR9721 is a high efficiency step-down DC-DC voltage converter. The chip operation is optimized by peak-current mode architecture with built-in synchronous power MOS switchers. The oscillator and timing capacitors are all built-in providing an internal switching frequency of 1.5MHz that allows the use of small surface mount inductors and capacitors for portable product implementations.

Additional features including Soft Start (SS), Under Voltage Lock Out (UVLO), Thermal Shutdown Detection (TSD) and short circuit protection are integrated to provide reliable product applications.

The device is available in adjustable output voltage versions ranging from 0.8V to  $0.9 \times V_{IN}$  when input voltage range is from 2.7V to 5.5V, and is able to deliver up to 2A.

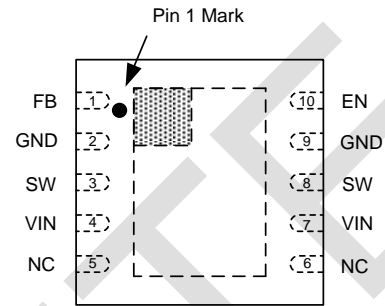
The AUR9721 is available in DFN-3x3-10 package.

## Features

- High Efficiency Buck Power Converter
- Output Current: 2A
- Adjustable Output Voltage from 0.8V to  $0.9 \times V_{IN}$
- Wide Operating Voltage Range: 2.7V to 5.5V
- Built-in Power Switches for Synchronous Rectification with High Efficiency
- Feedback Voltage Allows Output: 800mV
- 1.5MHz Switching Frequency
- Thermal Shutdown Protection
- Low Drop-out Operation at 90% Duty Cycle
- No Schottky Diode Required
- **For automotive applications requiring specific change control (i.e. parts qualified to AEC-Q100/101/200, PPAP capable, and manufactured in IATF 16949 certified facilities), please [contact us](#) or your local Diodes representative. <https://www.diodes.com/quality/product-definitions/>**

## Pin Assignments

(Top View)

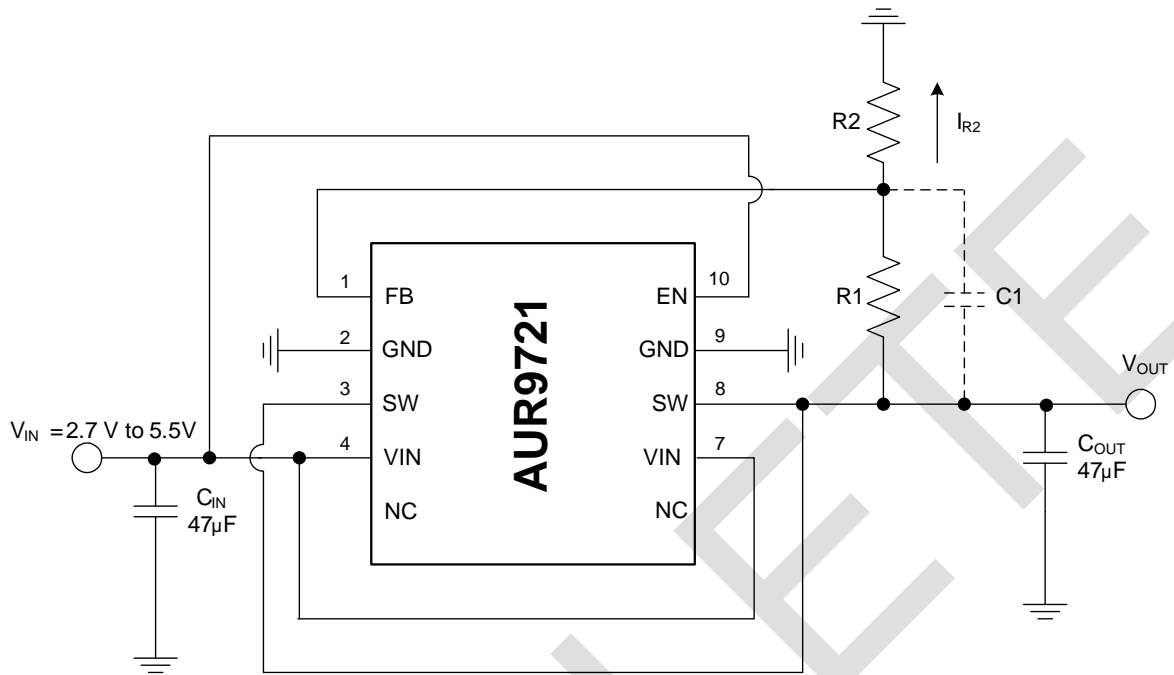


DFN-3x3-10

## Applications

- LCD TV
- Set Top Box
- Post DC-DC Voltage Regulation
- PCI Card
- PDA and Notebook Computer

**Typical Applications Circuit**



Note 1:  $V_{OUT} = V_{FB} \times \left(1 + \frac{R_1}{R_2}\right)$ ;  $V_{FB}=0.8V$

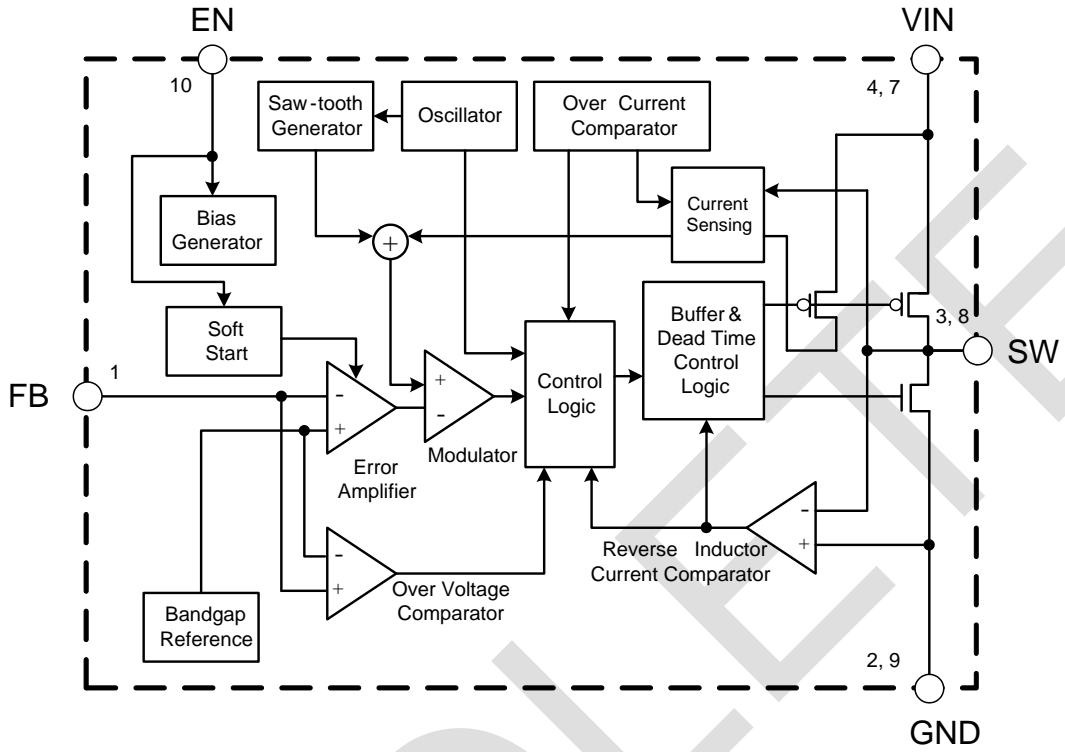
When  $R_2=400k\Omega$  to  $80k\Omega$ , the  $I_{R2}=2\mu A$  to  $10\mu A$ , and  $R_1 \times C_1$  should be in the range between  $3 \times 10^{-6}$  and  $6 \times 10^{-6}$  for component selection.

OBSOLETE - PART DISCONTINUED

**Pin Descriptions**

Pin Number	Pin Name	Function
1	FB	Feedback voltage from the output of the power supply
2, 9	GND	This pin is the GND reference for the NMOSFET power stage. It must be connected to the system ground
3, 8	SW	Connected to inductor
4, 7	VIN	Power supply input
5, 6	NC	No internal connection
10	EN	Enable signal input, active high

**Functional Block Diagram**



OBSOLETE - PART DISCONTINUED

OBSOLETE

## Absolute Maximum Ratings (Note 2)

Symbol	Parameter	Value	Unit
$V_{IN}$	Supply Input Voltage	0 to 6.0	V
$V_{EN}$	Enable Input Voltage	-0.3 to $V_{IN}+0.3$	V
$V_{SW}$	Switch Output Voltage	-0.3 to $V_{IN}+0.3$	V
$P_D$	Power Dissipation (On 4 Layer PCB, $T_A=+25^{\circ}C$ )	2.2	W
$\theta_{JA}$	Thermal Resistance (Junction to Ambient, Simulation)	45	$^{\circ}C/W$
$T_J$	Operating Junction Temperature	+150	$^{\circ}C$
$T_{OP}$	Operating Temperature	-40 to +85	$^{\circ}C$
$T_{STG}$	Storage Temperature	-55 to +150	$^{\circ}C$
$V_{HBM}$	ESD (Human Body Model)	2000	V
$V_{MM}$	ESD (Machine Model)	200	V

Note 2: Stresses greater than those listed under "Absolute Maximum Ratings" may cause permanent damage to the device. These are stress ratings only, and functional operation of the device at these or any other conditions beyond those indicated under "Recommended Operating Conditions" is not implied. Exposure to "Absolute Maximum Ratings" for extended periods may affect device reliability.

## Recommended Operating Conditions

Symbol	Parameter	Min	Max	Unit
$V_{IN}$	Supply Input Voltage	2.7	5.5	V
$T_J$	Junction Temperature Range	-40	+125	$^{\circ}C$
$T_A$	Ambient Temperature Range	-40	+80	$^{\circ}C$

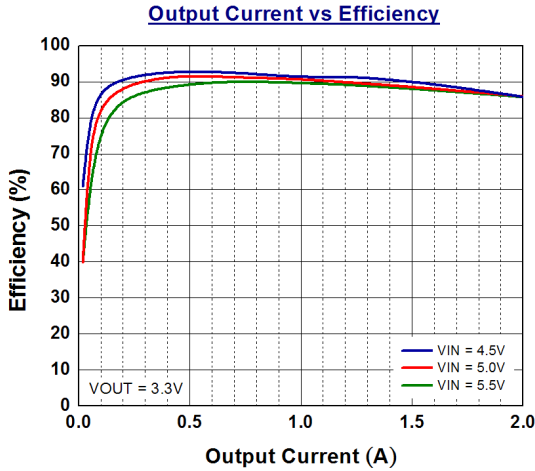
**Electrical Characteristics** ( $V_{IN}=V_{EN}=5V$ ,  $V_{FB}=0.8V$ ,  $L=1.2\mu H$ ,  $C_{IN}=47\mu F$ ,  $C_{OUT}=47\mu F$ ,  $T_A=+25^\circ C$ , unless otherwise specified.)

Symbol	Parameter	Conditions	Min	Typ	Max	Unit
$V_{IN}$	Input Voltage Range	–	2.7	–	5.5	V
$I_{OFF}$	Shutdown Current	$V_{EN}=0V$	–	0.1	1	$\mu A$
$I_{ON}$	Active Current	$V_{FB}=0.95V$	–	460	–	$\mu A$
$V_{FB}$	Regulated Feedback Voltage	For Adjustable Output Voltage	0.784	0.8	0.816	V
$\Delta V_{OUT}/V_{OUT}$	Regulated Output Voltage Accuracy	$V_{IN}=2.7V$ to $5.5V$ , $I_{OUT}=10mA$ to $2A$	-3	–	3	%
$I_{PK}$	Peak Inductor Current	–	2.2	3.2	–	A
$f_{OSC}$	Oscillator Frequency	–	1.2	1.5	1.8	MHz
$R_{ON(P)}$	PMOSFET $R_{ON}$	$I_{SW}=0.75A$	–	100	–	$m\Omega$
$R_{ON(N)}$	NMOSFET $R_{ON}$	$I_{SW}=0.75A$	–	100	–	$m\Omega$
$I_{EN}$	EN Input Current	–	–	2	–	$\mu A$
$V_{EN,H}$	EN High-threshold Input Voltage	–	1.5	–	–	V
$V_{EN,L}$	EN Low-threshold Input Voltage	–	–	–	0.4	V
$t_{SS}$	Soft Start Time	–	–	800	–	$\mu s$
$D_{MAX}$	Maximum Duty Cycle	–	90	–	–	%
$V_{UVLO}$	Under Voltage Lock Out Threshold	Rising	–	2.4	–	V
		Falling	–	2.3	–	
		Hysteresis	–	0.1	–	
$T_{SD}$	Thermal Shutdown	Hysteresis= $+30^\circ C$	–	+150	–	$^\circ C$

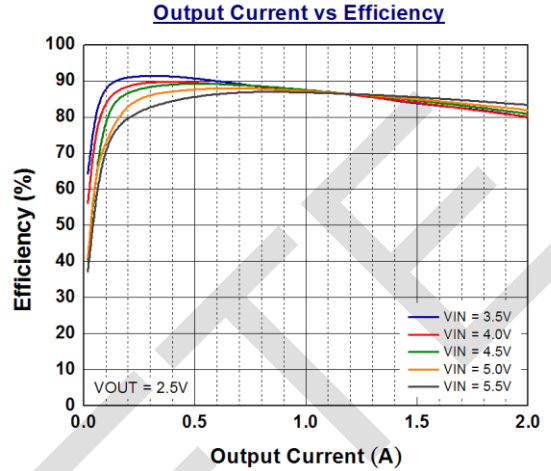
OBSOLETE

**Performance Characteristics**

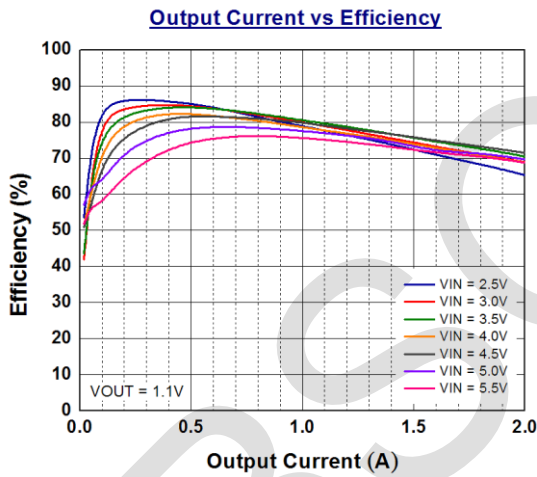
**Output Current vs. Efficiency**



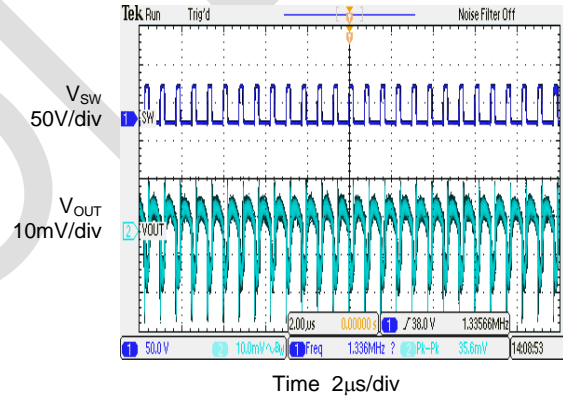
**Output Current vs. Efficiency**



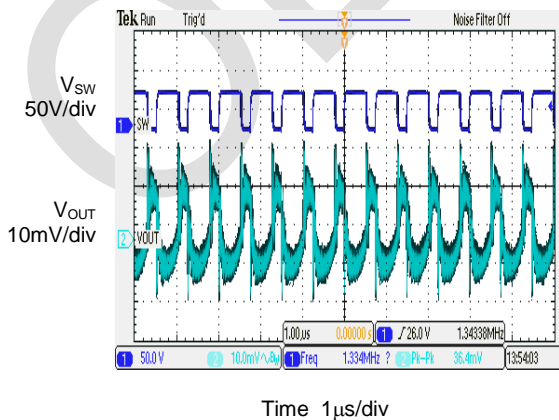
**Output Current vs. Efficiency**



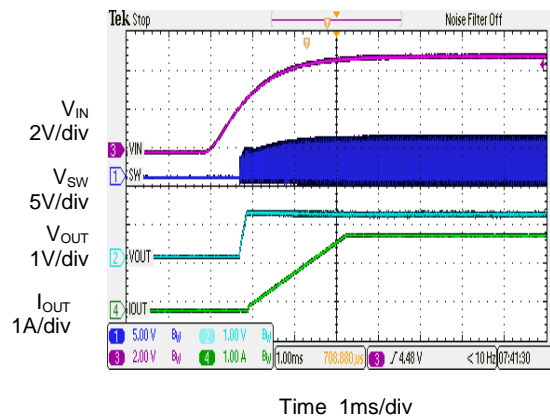
**Output Ripple**  
(VIN=5V, VOUT=1.2V, IOUT=2A)



**Output Ripple**  
(VIN=5V, VOUT=3.3V, IOUT=2A)



**Power On**  
(VIN=5V, VOUT=1.2V)



OBSOLETE - PART DISCONTINUED

## Application Information

### Application Information

The basic AUR9721 application circuit is shown in Figure 11. External components selection is determined by the load current and is critical with the selection of inductor and capacitor values.

#### 1. Inductor Selection

For most applications, the value of inductor is chosen based on the required ripple current with the range of 1.0μH to 6.8μH.

$$\Delta I_L = \frac{1}{f \times L} V_{OUT} \left(1 - \frac{V_{OUT}}{V_{IN}}\right)$$

The largest ripple current occurs at the highest input voltage. Having a small ripple current reduces the ESR loss in the output capacitor and improves the efficiency. The highest efficiency is realized at low operating frequency with small ripple current. However, larger value inductors will be required. A reasonable starting point for ripple current setting is  $\Delta I_L = 40\% I_{MAX}$ . For a maximum ripple current stays below a specified value, the inductor should be chosen according to the following equation:

$$L = \left[ \frac{V_{OUT}}{f \times \Delta I_L (MAX)} \right] \left[ 1 - \frac{V_{OUT}}{V_{IN} (MAX)} \right]$$

The DC current rating of the inductor should be at least equal to the maximum output current plus half the highest ripple current to prevent inductor core saturation. For better efficiency, a lower DC-resistance inductor should be selected.

#### 2. Capacitor Selection

The input capacitance,  $C_{IN}$ , is needed to filter the trapezoidal current at the source of the top MOSFET. To prevent large ripple voltage, a low ESR input capacitor sized for the maximum RMS current must be used. The maximum RMS capacitor current is given by:

$$I_{RMS} = I_{OMAX} \times \frac{[V_{OUT}(V_{IN} - V_{OUT})]^{1/2}}{V_{IN}}$$

It indicates a maximum value at  $V_{IN} = 2V_{OUT}$ , where

$I_{RMS} = I_{OUT}/2$ . This simple worse-case condition is commonly used for design because even significant deviations do not much relieve. The selection of  $C_{OUT}$  is determined by the Effective Series Resistance (ESR) that is required to minimize output voltage ripple and load step transients, as well as the amount of bulk capacitor that is necessary to ensure that the control loop is stable. The output ripple,  $\Delta V_{OUT}$ , is determined by:

$$\Delta V_{OUT} \leq \Delta I_L \left[ ESR + \frac{1}{8 \times f \times C_{OUT}} \right]$$

The output ripple is the highest at the maximum input voltage since  $\Delta I_L$  increases with input voltage.

#### 3. Load Transient

A switching regulator typically takes several cycles to respond to the load current step. When a load step occurs,  $V_{OUT}$  immediately shifts by an amount equal to  $\Delta I_{LOAD} \times ESR$ , where ESR is the effective series resistance of output capacitor.  $\Delta I_{LOAD}$  also begins to charge or discharge  $C_{OUT}$  generating a feedback error signal used by the regulator to return  $V_{OUT}$  to its steady-state value. During the recovery time,  $V_{OUT}$  can be monitored for overshoot or ringing that would indicate a stability problem.

#### 4. Output Voltage Setting

The output voltage of AUR9721 can be adjusted by a resistive divider according to the following formula:

$$V_{OUT} = V_{FB} \times \left(1 + \frac{R_1}{R_2}\right) = 0.8V \times \left(1 + \frac{R_1}{R_2}\right)$$

The resistive divider senses the fraction of the output voltage as shown in Figure 10.

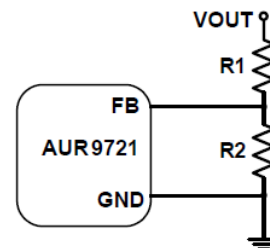


Figure 10. Setting the Output Voltage

## Application Information (continued)

### 5. Short Circuit Protection

When the output node is shorted to GND, as  $V_{FB}$  drops under 0.4V, the chip will enter soft-start to protect itself; when short circuit is removed, and  $V_{FB}$  rises over 0.4V, AUR9721 will enter normal operation again. If the chip reaches OCP threshold while short circuited, it will enter soft-start cycle until the current drops under OCP threshold.

### 6. Efficiency Considerations

The efficiency of switching regulator is equal to the output power divided by the input power times 100%. It is usually useful to analyze the individual losses to determine what is limiting efficiency and which change could produce the largest improvement. Efficiency can be expressed as:

$$\text{Efficiency} = 100\% - L1 - L2 - \dots$$

Where L1, L2, etc. are the individual losses as a percentage of input power.

Although all dissipative elements in the regulator produce losses, two major sources usually account for most of the power losses:  $V_{IN}$  quiescent current and  $I^2R$  losses. The  $V_{IN}$  quiescent current loss dominates the efficiency loss at very light load currents and the  $I^2R$  loss dominates the efficiency loss at medium to heavy load currents.

**6.1** The  $V_{IN}$  quiescent current loss comprises two parts: the DC bias current as given in the electrical characteristics and the internal MOSFET switch gate charge currents. The gate charge current results from switching the gate capacitance of the internal power MOSFET switches. Each cycle the gate is switched from high to low, then to high again, and the packet of charge,  $dQ$  moves from  $V_{IN}$  to ground. The resulting  $dQ/dt$  is the current out of  $V_{IN}$  that is typically larger than the internal DC bias current. In continuous mode,

$$I_{GATE} = f \times (Q_P + Q_N)$$

Where  $Q_P$  and  $Q_N$  are the gate charge of power PMOSFET and NMOSFET switches. Both the DC bias current and gate charge losses are proportional to the  $V_{IN}$  and this effect will be more serious at higher input voltages.

**6.2**  $I^2R$  losses are calculated from internal switch resistance,  $R_{SW}$  and external inductor resistance  $R_L$ .

In continuous mode, the average output current flowing through the inductor is chopped between power PMOSFET switch and NMOSFET switch. Then, the series resistance looking into the SW pin is a function of both PMOSFET  $R_{DS(ON)P}$  and NMOSFET  $R_{DS(ON)N}$  resistance and the duty cycle (D):

$$R_{SW} = R_{DS(ON)P} \times D + R_{DS(ON)N} \times (1 - D)$$

Therefore, to obtain the  $I^2R$  losses, simply add  $R_{SW}$  to  $R_L$  and multiply the result by the square of the average output current.

Other losses including  $C_{IN}$  and  $C_{OUT}$  ESR dissipative losses and inductor core losses generally account for less than 2% of total additional loss.

### 7. Thermal Characteristics

In most applications, the part does not dissipate much heat due to its high efficiency. However, in some conditions when the part is operating in high ambient temperature with high  $R_{DS(ON)}$  resistance and high duty cycles, the heat dissipated may exceed the maximum junction temperature. To avoid the part from exceeding maximum junction temperature, the user should do some thermal analysis. The maximum power dissipation depends on the layout of PCB, the thermal resistance of IC package, the rate of

surrounding airflow and the temperature difference between junction and ambient.

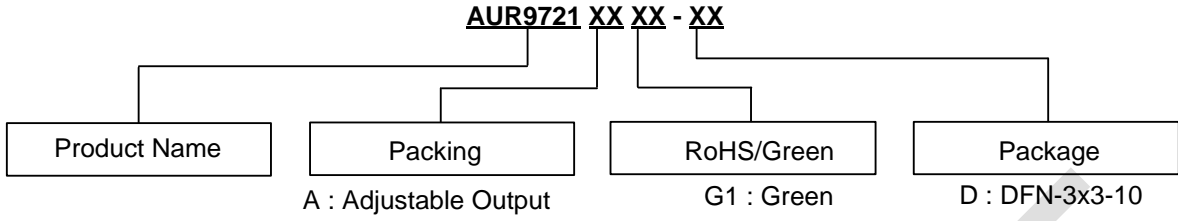
### 8. PC Board Layout Considerations

When laying out the printed circuit board, the following checklist should be used to optimize the performance of AUR9721.

1. The power traces, including the GND trace, the SW trace and the VIN trace should be kept direct, short and wide.
2. Put the input capacitor as close as possible to the VIN and GND pins.
3. The FB pin should be connected directly to the feedback resistor divider.
4. Keep the switching node SW away from the sensitive FB pin and the node should be kept small area.



**Ordering Information**



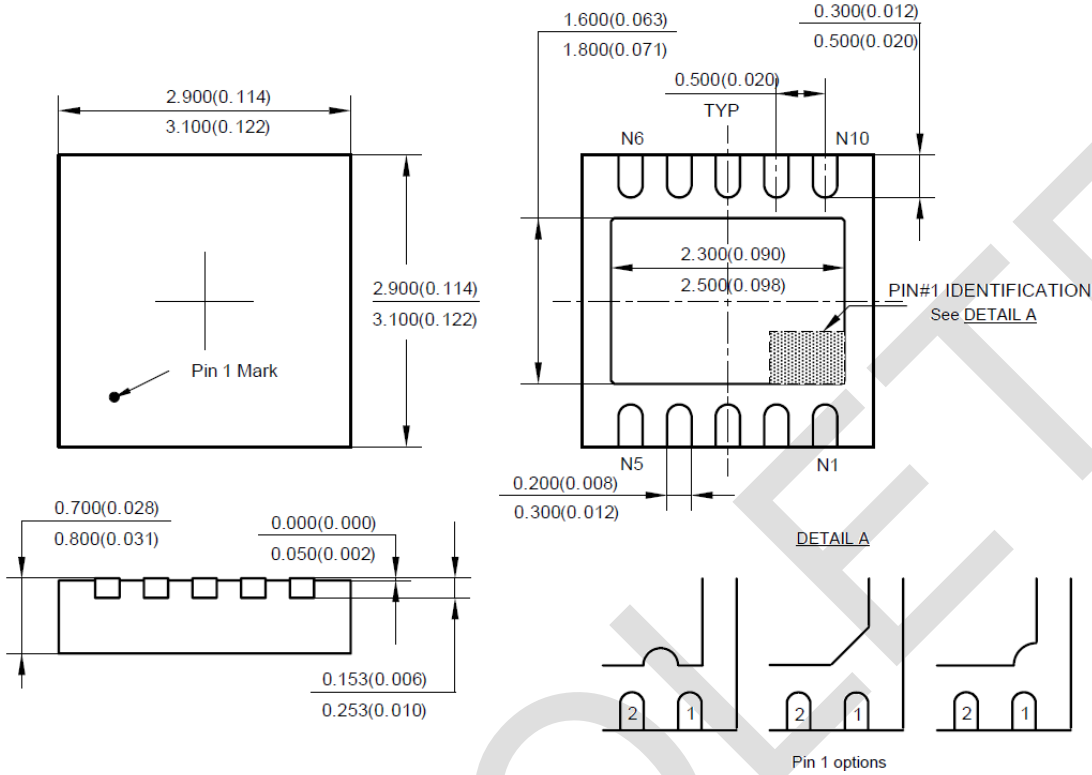
Package	Temperature Range	Part Number	Marking ID	Packing
DFN-3x3-10	-40 to +80°C	AUR9721AGD	9721A	Tape & Reel

OBSOLETE - PART DISCONTINUED

OBSOLETE

**Package Outline Dimensions** (All dimensions in mm(inch).)

(1) Package Type: DFN-3x3-10



OBSOLETE - PART DISCONTINUED

OBSOLETE

**IMPORTANT NOTICE**

1. DIODES INCORPORATED AND ITS SUBSIDIARIES (“DIODES”) MAKE NO WARRANTY OF ANY KIND, EXPRESS OR IMPLIED, WITH REGARDS TO ANY INFORMATION CONTAINED IN THIS DOCUMENT, INCLUDING, BUT NOT LIMITED TO, THE IMPLIED WARRANTIES OF MERCHANTABILITY, FITNESS FOR A PARTICULAR PURPOSE OR NON-INFRINGEMENT OF THIRD PARTY INTELLECTUAL PROPERTY RIGHTS (AND THEIR EQUIVALENTS UNDER THE LAWS OF ANY JURISDICTION).
2. The Information contained herein is for informational purpose only and is provided only to illustrate the operation of Diodes products described herein and application examples. Diodes does not assume any liability arising out of the application or use of this document or any product described herein. This document is intended for skilled and technically trained engineering customers and users who design with Diodes products. Diodes products may be used to facilitate safety-related applications; however, in all instances customers and users are responsible for (a) selecting the appropriate Diodes products for their applications, (b) evaluating the suitability of the Diodes products for their intended applications, (c) ensuring their applications, which incorporate Diodes products, comply the applicable legal and regulatory requirements as well as safety and functional-safety related standards, and (d) ensuring they design with appropriate safeguards (including testing, validation, quality control techniques, redundancy, malfunction prevention, and appropriate treatment for aging degradation) to minimize the risks associated with their applications.
3. Diodes assumes no liability for any application-related information, support, assistance or feedback that may be provided by Diodes from time to time. Any customer or user of this document or products described herein will assume all risks and liabilities associated with such use, and will hold Diodes and all companies whose products are represented herein or on Diodes’ websites, harmless against all damages and liabilities.
4. Products described herein may be covered by one or more United States, international or foreign patents and pending patent applications. Product names and markings noted herein may also be covered by one or more United States, international or foreign trademarks and trademark applications. Diodes does not convey any license under any of its intellectual property rights or the rights of any third parties (including third parties whose products and services may be described in this document or on Diodes’ website) under this document.
5. Diodes products are provided subject to Diodes’ Standard Terms and Conditions of Sale (<https://www.diodes.com/about/company/terms-and-conditions/terms-and-conditions-of-sales/>) or other applicable terms. This document does not alter or expand the applicable warranties provided by Diodes. Diodes does not warrant or accept any liability whatsoever in respect of any products purchased through unauthorized sales channel.
6. Diodes products and technology may not be used for or incorporated into any products or systems whose manufacture, use or sale is prohibited under any applicable laws and regulations. Should customers or users use Diodes products in contravention of any applicable laws or regulations, or for any unintended or unauthorized application, customers and users will (a) be solely responsible for any damages, losses or penalties arising in connection therewith or as a result thereof, and (b) indemnify and hold Diodes and its representatives and agents harmless against any and all claims, damages, expenses, and attorney fees arising out of, directly or indirectly, any claim relating to any noncompliance with the applicable laws and regulations, as well as any unintended or unauthorized application.
7. While efforts have been made to ensure the information contained in this document is accurate, complete and current, it may contain technical inaccuracies, omissions and typographical errors. Diodes does not warrant that information contained in this document is error-free and Diodes is under no obligation to update or otherwise correct this information. Notwithstanding the foregoing, Diodes reserves the right to make modifications, enhancements, improvements, corrections or other changes without further notice to this document and any product described herein. This document is written in English but may be translated into multiple languages for reference. Only the English version of this document is the final and determinative format released by Diodes.
8. Any unauthorized copying, modification, distribution, transmission, display or other use of this document (or any portion hereof) is prohibited. Diodes assumes no responsibility for any losses incurred by the customers or users or any third parties arising from any such unauthorized use.

Copyright © 2021 Diodes Incorporated

[www.diodes.com](http://www.diodes.com)