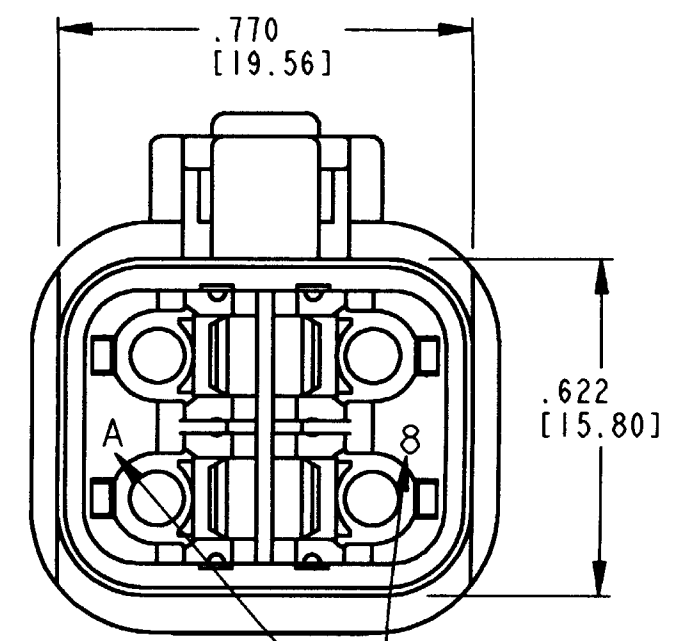
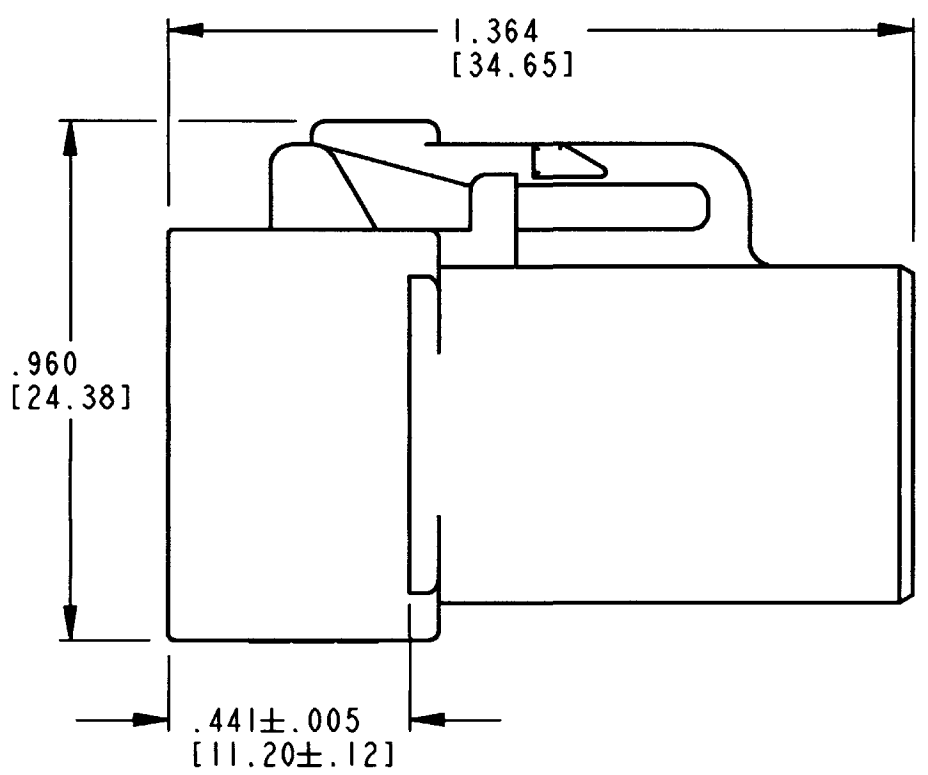
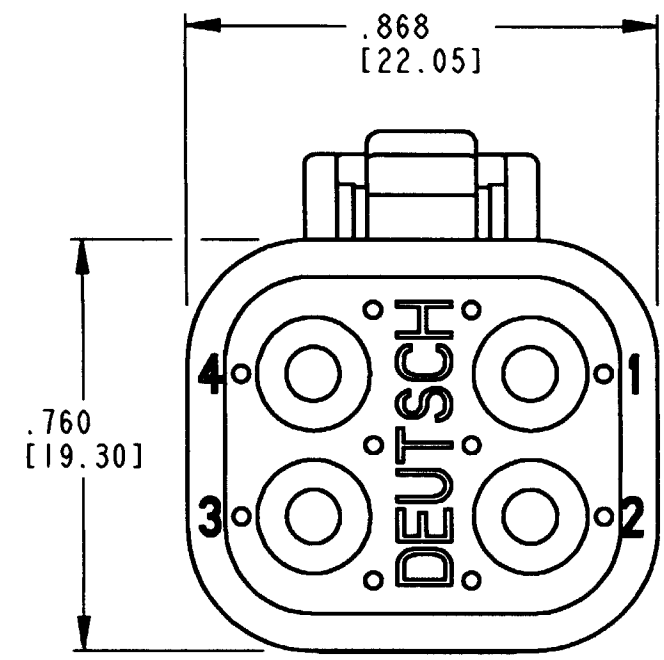


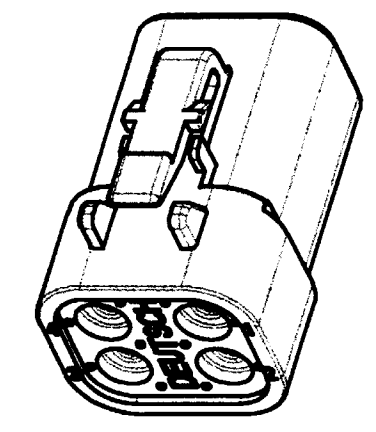
REV  
B **DTP06-4S**

REVISIONS			
SYM	DESCRIPTION	DATE	APPROVED
NC	NEW RELEASE PER E.O. P15534	01/29/98	R.D.R.
A	REVISED PER E.O. P16905	10/18/00	R.D.R.
B	REVISED PER E.O. P17088	1-23-01	RDR



DATE CODE: MONTH IS REPRESENTED BY SEQUENTIAL ALPHA CHARACTERS. EX: A=JANUARY; YEAR IS REPRESENTED BY LAST NUMERICAL DIGIT. EX: 8=2008

- 6. MATERIAL: HOUSING: PLASTIC; GROMMET: RUBBER
  - 5. THIS PLUG MATES WITH DTP04-4P-\*\*\*\* RECEPTACLE. (\*\*\*\* = ALL MODIFICATIONS)
  - 4. FOR CONTACT AND WIRE PERFORMANCE AND APPLICATION CHARACTERISTICS SEE ENVELOPE DRAWING 0425-015-0000.
  - 3. SECONDARY WEDGE LOCK SOLD SEPARATELY, WP-4S.
  - 2. DIMENSION TOLERANCE: ±.025 [.64].
  - 1. DIMENSIONS ARE IN INCHES [mm].
- NOTES: UNLESS OTHERWISE SPECIFIED



**3D VIEW**

CONTACT SIZE	MIN. INSUL. O.D.	MAX INSUL. O.D.	WIRE RANGE [mm <sup>2</sup> ] REF ONLY
12	.134 [3.40]	.195 [4.95]	10-14 AWG [5.0-2.0]

SIGNATURE & DATE		<b>PLUG</b> <b>4 CONTACTS, SIZE 12</b> <b>COLOR: GREY</b> <b>DTP SERIES</b>	CP	MATL. CODE
DR	D. MEYER 01/28/98		<b>The Deutsch Company</b> DEUTSCH I.P.D. 3850 INDUSTRIAL AVE. HEMET, CALIF. 92545	
CHK	<i>[Signature]</i> 1/12/01		<b>B DTP06-4S</b>	
PE	<i>[Signature]</i> 1/11/01			
APPD	D Meyer 1/11/01		DWG SIZE	CODE 11139
SCALE	NONE	ENVELOPE		