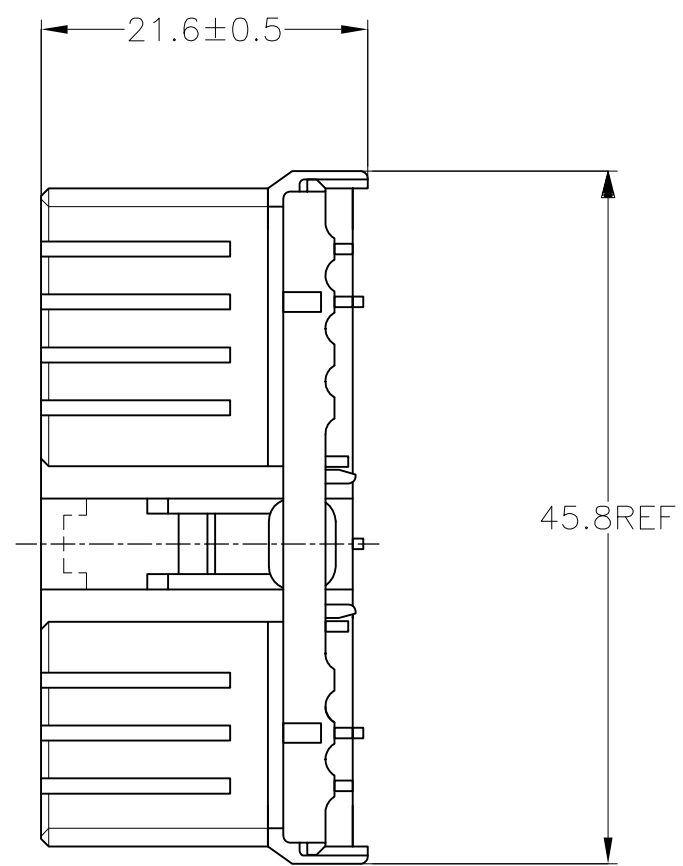
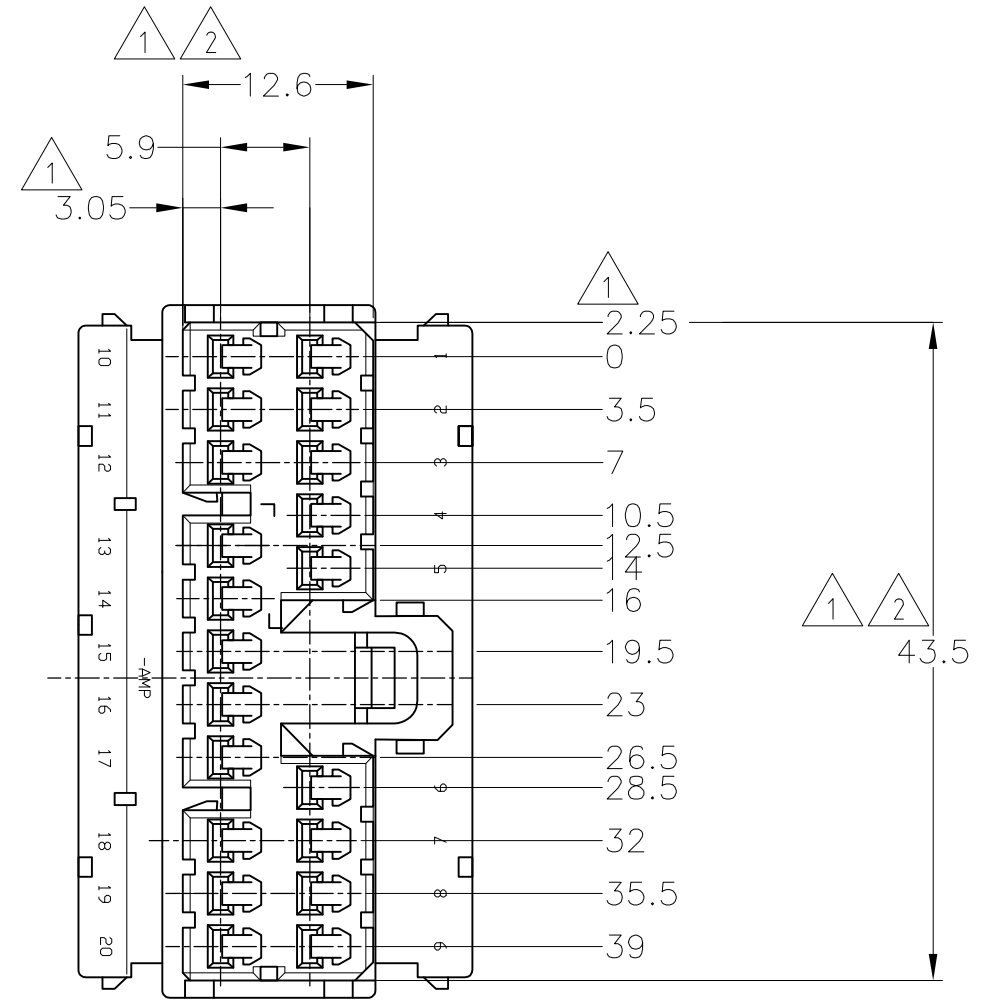
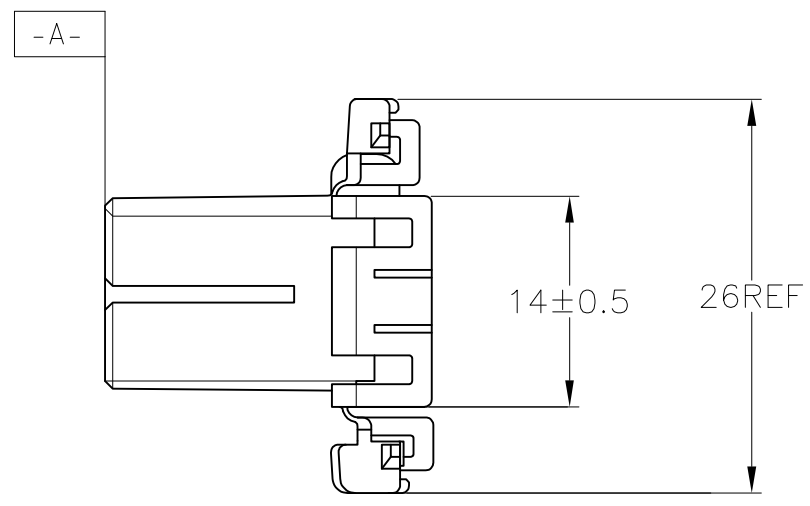


THIS DRAWING IS UNPUBLISHED. RELEASED FOR PUBLICATION  
 © COPYRIGHT 2019 By Tyco Electronics Japan G.K. ALL RIGHTS RESERVED.

REVISIONS					
P	LTR	DESCRIPTION	DATE	DWN	APVD
	E5	REVISED ECR-19-009995	04OCT2019	DM	HK



- MUST BE KEPT BETWEEN -A- AND 2
  - TO BE MATED WITH PLUG HOUSING SMOOTHLY
  - APPLIED TAB CONTACT; P/N 173630 AND 173631
  - APPLIED CAP HOUSING; P/N 174936 etc
- A- 面より2mmの範囲で測定
  - 相手ハウジングと所定の機能を満足して嵌合できること
  - 内装するタブコンタクトは型番173630、173631
  - 嵌合相手ハウジング型番174936 他



V-2	自然色 (NATURAL)	1-174952-1
HB	黄 (YELLOW)	174952-7
	灰 (GRAY)	174952-6
	青 (BLUE)	174952-5
	緑 (GREEN)	174952-4
	黒 (BLACK)	174952-2
	自然色 (NATURAL)	174952-1
使用材料難燃グレード (FLAMMABILITY OF MATERIAL)	色 (COLOR)	型番 (PART NUMBER)

TOLERANCES UNLESS OTHERWISE SPECIFIED:  
 一般公差

10 ≥	±0.2
30 ≥	> 10 : ±0.25
	> 30 : ±0.3
ANGLE	3°

THIS DRAWING IS A CONTROLLED DOCUMENT.

DIMENSIONS:	TOLERANCES UNLESS OTHERWISE SPECIFIED:
mm	
	0 PLC ± -
	1 PLC ± -
	2 PLC ± -
	3 PLC ± -
	4 PLC ± -
	ANGLES ± -
	FINISH ± -

MATERIAL: PBT

DWN	S.FUJITA	09DEC08	<b>STE</b> TE Connectivity
CHK	K.BETSUI	09DEC08	
APVD	K.BETSUI	09DEC08	
PRODUCT SPEC	NAME		
APPLICATION SPEC	070 SERIES MULTILOCK CONNECTOR 20POSITION PULG HOUSING		
WEIGHT	7.8 g	A300779	C=174952
CUSTOMER DRAWING			RESTRICTED TO
SCALE		2:1	SHEET
		1 OF 1	REV
			E5