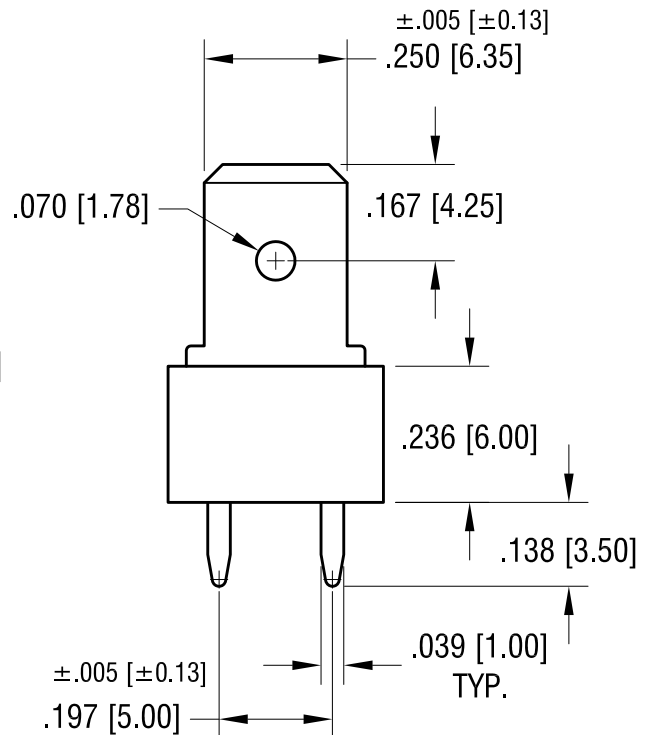
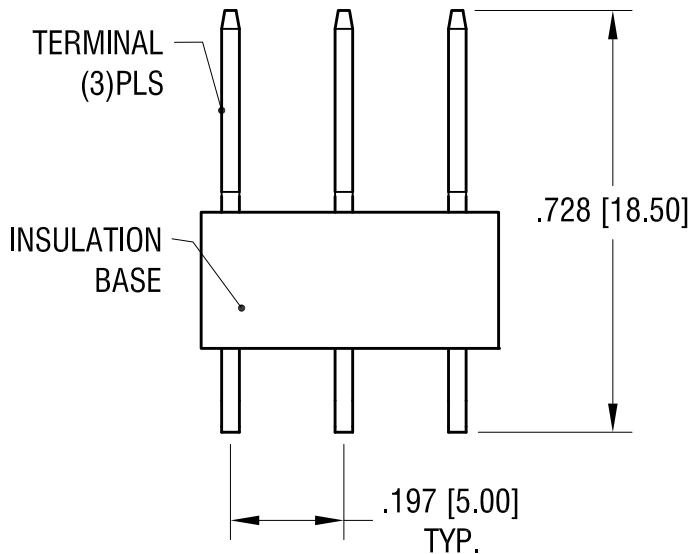
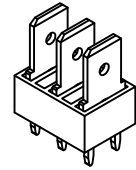
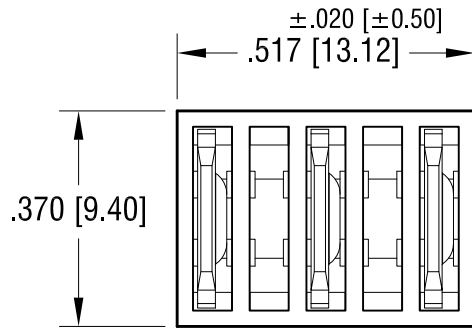


THIS DOCUMENT IS THE PROPERTY OF  
KEYSTONE ELECTRONICS CORP. AND  
SHALL NOT BE REPRODUCED, DISTRIBUTED  
OR USED AS A BASIS FOR MANUFACTURE  
WITHOUT PRIOR WRITTEN PERMISSION  
FROM KEYSTONE ELECTRONICS CORP.

**ACTUAL SIZE**



NOTE:  
 TERMINAL: MAT'L- .031 [0.78] TH'K BRASS  
 FINISH: TIN PLATE  
 INSULATION: MAT'L- GLASS FILLED NYLON, 94V-0

**KEYSTONE ELECTRONICS CORP.**

www.keyelco.com • ASTORIA, N.Y. 11105-2017 • Tel (718) 956-8900

PART NAME  
**INSULATED QUICK-FIT TERMINAL (3) THREE**

MATERIAL  
**AS NOTED**

FINISH <b>AS NOTED</b>	DRN BY NT	DATE 2.14.13
	APP'D LN	SCALE 3X

10.7.13 CHANGE AS PER ECN 13-083 A

TOLERANCES INCH [MM]	CODE	DWG NO.
DECIMAL ±.010 [±0.25]	C	<b>7818</b>
ANGULAR ± 1° UNLESS OTHERWISE SPECIFIED		

DATE	DESCRIPTION	REV.