

# Customer Information Sheet

DRAWING No.: S1751-XXR

SHEET 2 OF 2

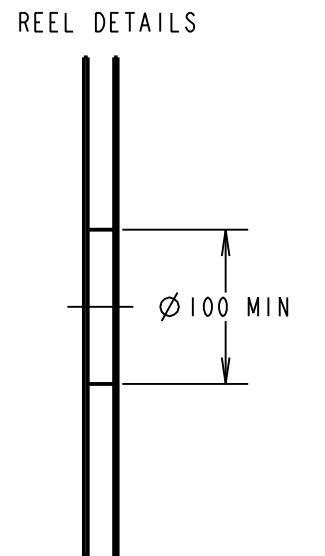
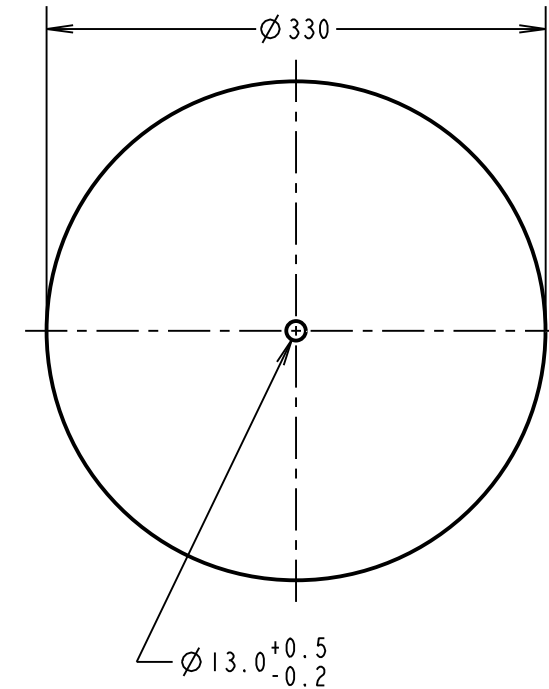
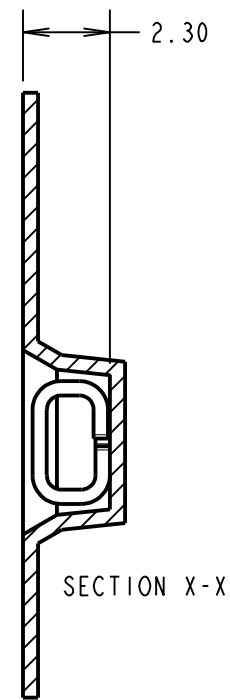
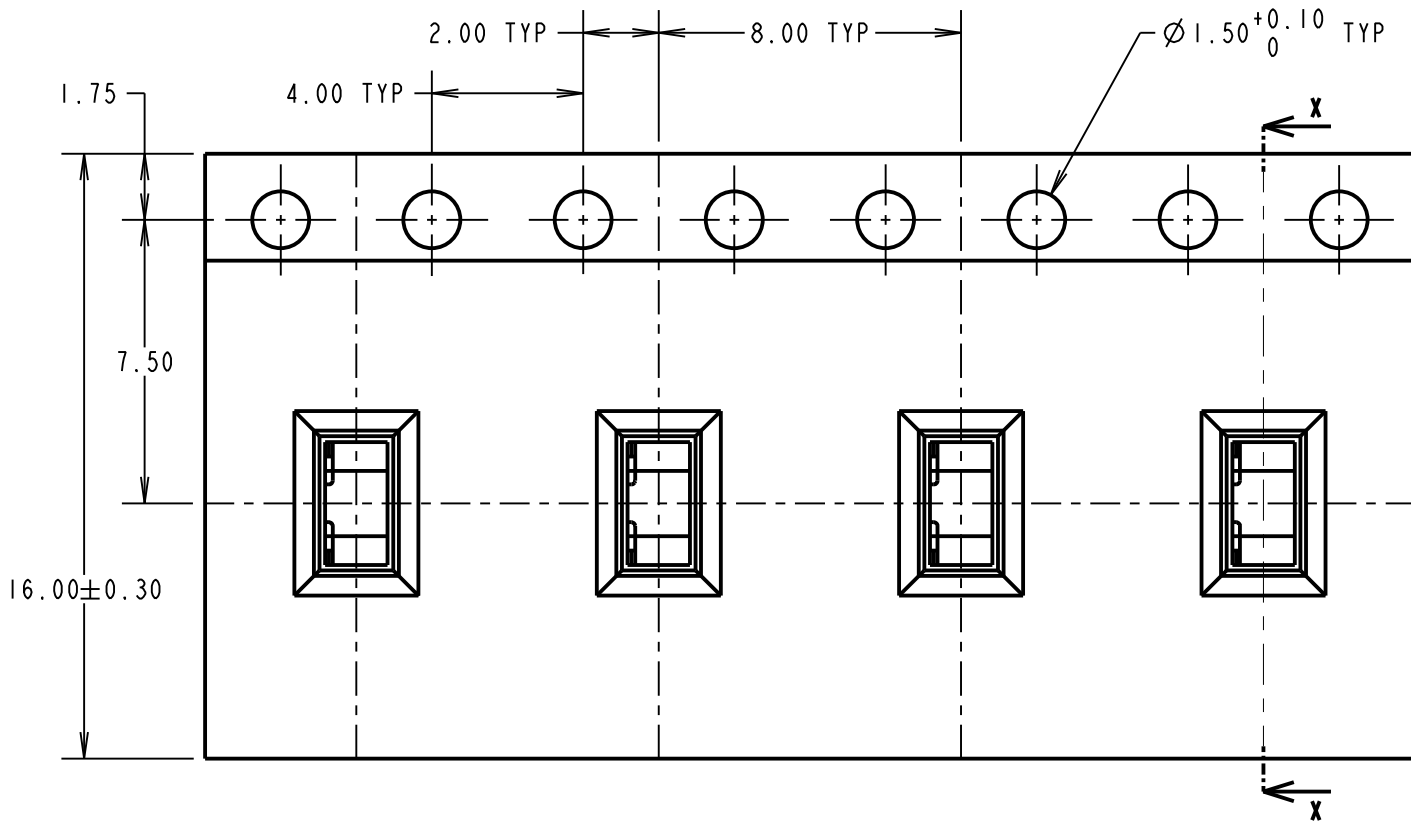
IF IN DOUBT - ASK

©

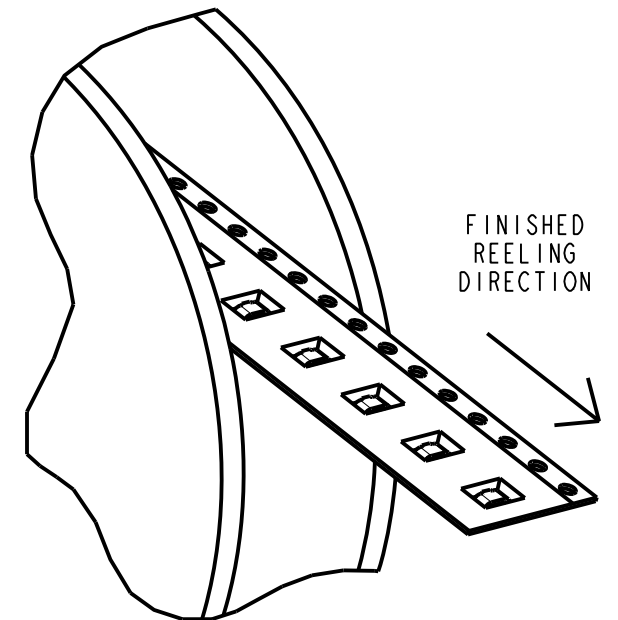
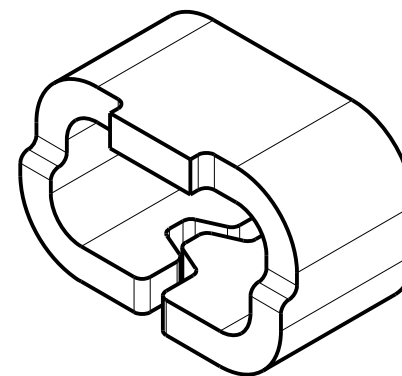
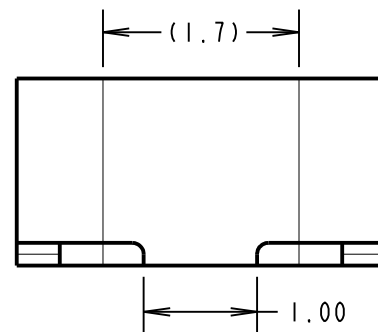
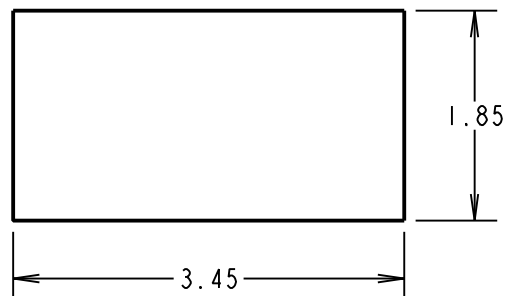
NOT TO SCALE

THIRD ANGLE PROJECTION

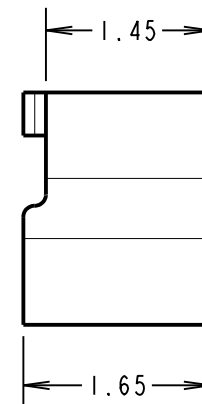
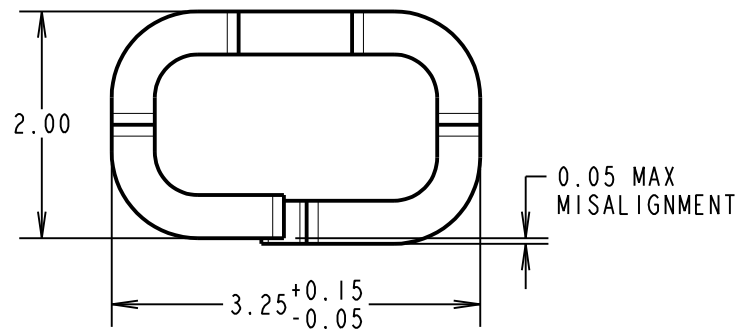
ALL DIMENSIONS IN mm



RECOMMENDED PAD LAYOUT



COMPONENT DETAILS



SPECIFICATIONS:  
 MATERIAL = BRASS  
 FINISH:  
~~06 = 4µ 90/10 TIN/LEAD~~  
 46 = 4µ 100% TIN  
 ELECTRICAL:  
 CURRENT RATING = 2A MAX  
 CONTACT RESISTANCE = 20mΩ MAX  
 ENVIRONMENTAL:  
 OPERATING TEMPERATURE = -55°C TO +125°C

**OBSOLETE**

ORDER CODE	FINISH
<del>S1751-06R</del>	<del>TIN/LEAD</del>
S1751-46R	100% TIN

MSP	ISS.	DATE	C/NOTE
8		24.10.16	20136
APPROVED: M. PERREN			
CHECKED: S. BENNETT			
DRAWN: W. J. BOURNE			
CUSTOMER REF.:			
ASSEMBLY DRG:			

- NOTES:
- QUANTITY PER REEL = 2,500.
  - THIS PRODUCT IS TAPED AND REELED IN ACCORDANCE WITH EIA-481-2-A (ELECTRONIC INDUSTRIES ASSOCIATION).
  - FOR LOOSE COMPONENTS, SEE S1751-XX.

**HARWIN**

www.harwin.com  
 technical@harwin.com

THIS DRAWING AND ANY INFORMATION OR DESCRIPTIVE MATTER SET OUT HEREON ARE CONFIDENTIAL AND COPYRIGHT PROPERTY OF THE HARWIN GROUP AND MUST NOT BE DISCLOSED, LOANED, COPIED OR USED FOR MANUFACTURING, TENDERING OR FOR ANY OTHER PURPOSE WITHOUT THEIR WRITTEN PERMISSION.

TOLERANCES  
 X. = ±1mm  
 X.X = ±0.25mm  
 X.XX = ±0.10mm  
 X.XXX = ±0.01mm  
 ANGLES = ±5°  
 UNLESS STATED

MATERIAL:  
 SEE ABOVE  
 FINISH: SEE ABOVE  
 S/AREA: mm<sup>2</sup>

TITLE:  
 SURFACE MOUNT TEST TERMINAL  
 (TAPE AND REELED)

DRAWING NUMBER:  
**S1751-XXR**

SHT  
 2 OF 2