

## CMX969

### Packet Data Modem

The CMX969 is a CMOS integrated circuit, containing baseband signal processing and Medium Access Control (MAC) protocol functions, that are required for a high performance DataTAC dual mode RD-LAP 19200bps and MDC 4800bps FSK wireless packet data modem suitable for use with the Motient/ARDIS network.

The modem interfaces with the host processor and radio modulation/demodulation circuits, delivering reliable two-way transfer of application data over the wireless link. The CMX969 assembles application data, adds forward error correction (FEC) and error detection (CRC) information and interleaves the result for burst-error protection. It then converts the packet into a filtered analogue baseband signal for modulating the radio transmitter.

In receive mode, the CMX969 performs the reverse function. After error correction and removal of the packet overhead, application data is supplied to the host processor. Any residual uncorrected errors in the data will be flagged and a readout of received signal quality is provided.

### Features

- DataTAC, dual mode RD-LAP and MDC systems
- Full data packet framing
- Low power requirement with powersave
- Optional autonomous frame sync detection

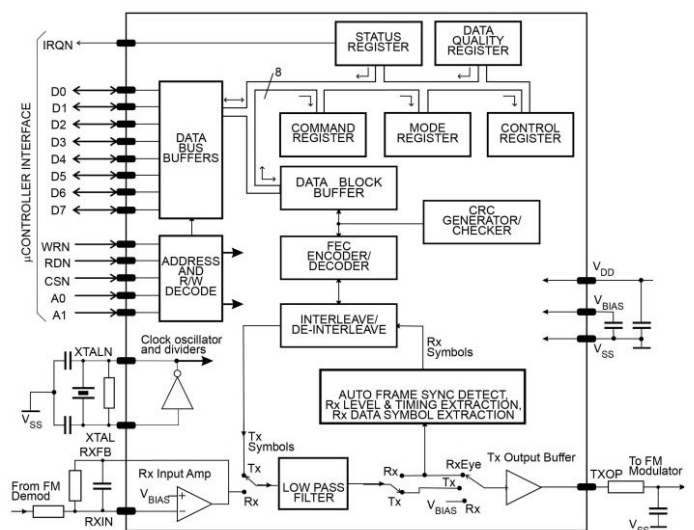
### Applications

- Two-way paging equipment
- Mobile data systems
- Wireless telemetry
- DataTAC terminals

### Supply Requirement

- 2.7 to 5.5V

The CMX969 uses signal filtering, data block formats and FEC/CRC algorithms, compatible with MDC and RD-LAP over-air standards.



CMX969 Block Diagram



## WHAT TO DO NEXT

Visit: [www.cmlmicro.com](http://www.cmlmicro.com)

Find: [Distributor](#)

## CML Microcircuits Benefits

### Faster time to market

Developing proven high performance and field tested ASSP ICs, CML is helping engineers to cope with increasing pressure in delivering shorter project design cycles.

### Design flexibility

CML's FirmASIC® reconfigurable technology with the use of a Function Image upload enables a single hardware platform to be used for multiple communications systems.

### High Quality

With 100% of products being tested before shipping, customers are assured of the highest reliability.

### Product Longevity

Designing with CML products, manufacturers are rewarded with longer product life cycles and a stable BOM, ensuring minimum engineering costs and maximum profit.

### Low Power

Being at the forefront of low power chip technology, manufacturers can develop smaller equipment with extended battery life.

### Superior Support

Internal and field based applications teams worldwide provide focused customer support to ease the development process.

[www.cmlmicro.com](http://www.cmlmicro.com)

United Kingdom  
United States  
Singapore

Tel: +44 (0) 1621 875500  
Tel: +1 336 744 5050  
Tel: +65 62888129

email: [sales@cmlmicro.com](mailto:sales@cmlmicro.com)  
email: [us.sales@cmlmicro.com](mailto:us.sales@cmlmicro.com)  
email: [sg.sales@cmlmicro.com](mailto:sg.sales@cmlmicro.com)