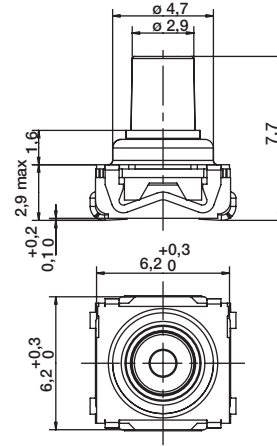


# KSC6 Series Sealed Tact Switch for SMT

## KSC6 hard actuator 7,7 mm high



Type	Operating force FA (Newtons)	Operating life (operations)	Travel (mm)
KSC621	1.7 ± 0.5	300,000	0.4 ± 0.2
KSC631	2.55 ± 0.65	300,000	0.4 ± 0.2
KSC641	3.4 ± 0.85	300,000	0.4 ± 0.2



### Packaging

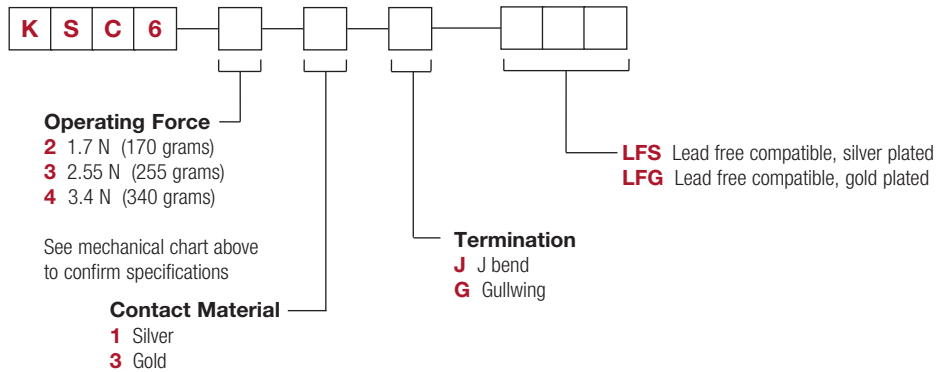
Switches delivered on continuous tape & reels of 950 pieces  
Dimensions according to EIA RS-481/ IEC 60286-3 standard  
External diameter 380 ± 2 mm

### How To Order

Our easy build-a-switch concept allows you to mix and match options to create the switch you need. To order, select desired option from each category and place it in the appropriate box.

**However, please note that all the combinations of these options are not feasible.**

**For any part number different from those listed above, please consult your local representative.**



Dimensions are shown: mm  
Specifications and dimensions subject to change