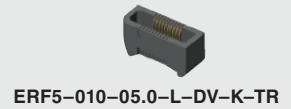
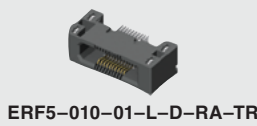


ERF5-050-01-L-D-RA-TR



(0.50 mm) .0197"

ERF5, ERF5-RA SERIES

RUGGED HIGH-SPEED SOCKET

Mates with:
ERM5

SPECIFICATIONS

For complete specifications and recommended PCB layouts see www.samtec.com?ERF5 or www.samtec.com?ERF5-RA

Insulator Material:

Black LCP

Terminal Material:

BeCu

Plating:

Au or Sn over

50 μm (1.27 μm) Ni

Current Rating (-DV to -DV):

1.5 A per pin

(2 pins powered)

Current Rating (-DV to -RA):

1.6 A per pin

(2 pins powered)

Operating Temp Range:

-55 °C to +125 °C

Voltage Rating:

194 VAC mated with ERM5

RoHS Compliant:

Yes

PROCESSING

Lead-Free Solderable:

Yes

SMT Lead Coplanarity:

(0.10 mm) .004" max (010-040)

(0.13 mm) .005" max (050-075)*

*(.004" stencil solution

may be available; contact

IPG@samtec.com)

RECOGNITIONS

For complete scope of recognitions see www.samtec.com/quality



FILE NO. E111594

ALSO AVAILABLE (MOQ Required)

- Friction Lock (-DV only)
- Weld Tab (-DV only)
- Other platings

MATED HEIGHT*

ERF5 LEAD STYLE	ERM5 LEAD STYLE		
	-02.0	-04.0	-05.0
-05.0	(7.00) .276	(9.00) .354	(10.00) .394
-07.0	(9.00) .354	(11.00) .433	(12.00) .472

*Processing conditions will affect mated height.

Notes:
Patented

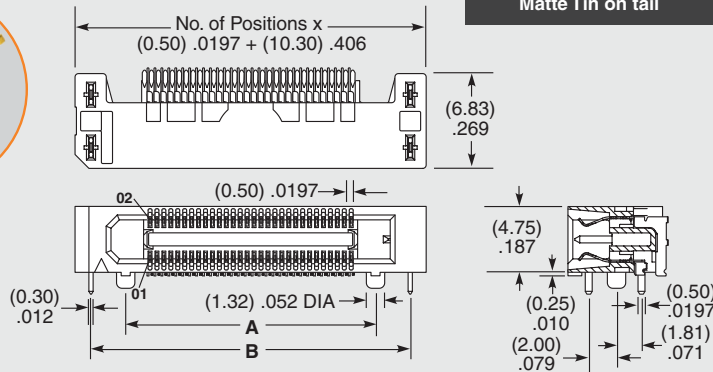
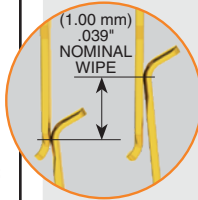
Some lengths, styles and options are non-standard, non-returnable.



-010, -020, -030, -040, -050

-L
= 10 μm (0.25 μm)
Gold on contact,
Matte Tin on tail

-TR
= Tape & Reel Packaging



HIGH-SPEED CHANNEL PERFORMANCE

ERM5/ERF5 @ 7 mm Mated Stack Height

Rating based on Samtec reference channel. For full SI performance data visit Samtec.com or contact SIG@samtec.com

28
Gbps

NO. OF POSITIONS	A	B
-010	(8.00) .315	(13.00) .512
-020	(13.00) .512	(18.00) .709
-030	(18.00) .709	(23.00) .906
-040	(23.00) .906	(28.00) 1.102
-050	(28.00) 1.102	(33.00) 1.299



-010, -020, -030, -040, -050, -060, -070, -075

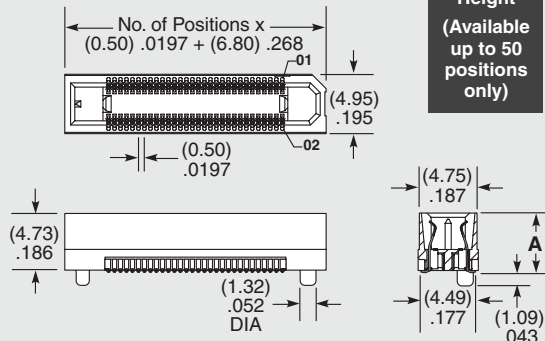
-05.0
= 5 mm
Body Height

-07.0
= 7 mm
Body Height
(Available up to 50 positions only)

-L
= 10 μm (0.25 μm)
Gold on contact,
Matte Tin on tail

-K
= (6.00 mm) .236" DIA
Polyimide Film Pick & Place Pad

-TR
= Tape & Reel Packaging



LEAD STYLE	A
-05.0	(4.91) .193
-07.0	(6.91) .272

POWER/SIGNAL APPLICATION



Compatible with UMP/TUMPS for flexible two-piece power/signal solutions

Due to technical progress, all designs, specifications and components are subject to change without notice.

WWW.SAMTEC.COM

All parts within this catalog are built to Samtec's specifications.

Customer specific requirements must be approved by Samtec and identified in a Samtec customer-specific drawing to apply.