

4

3

2

1

THIS DRAWING IS UNPUBLISHED.

RELEASED FOR PUBLICATION

20

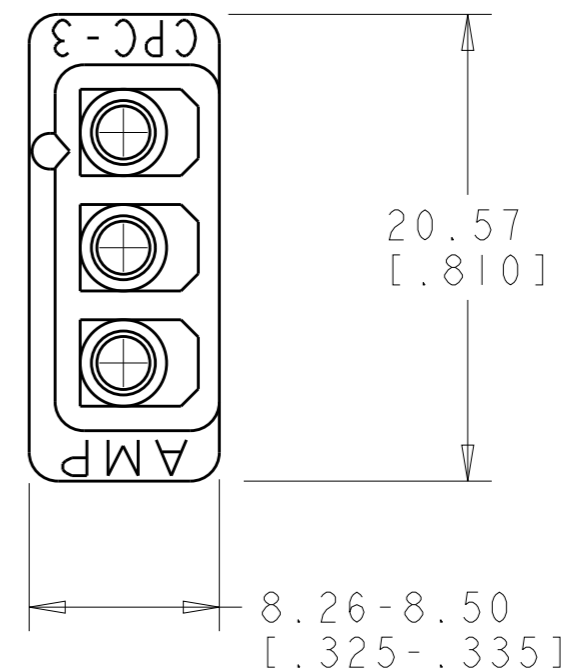
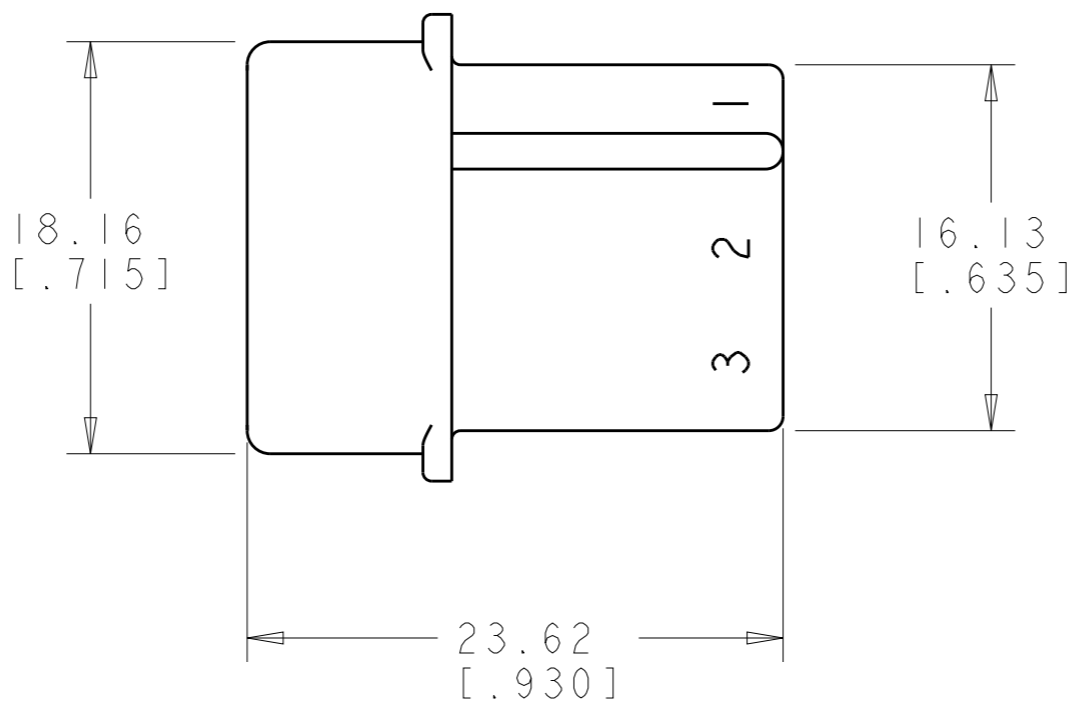
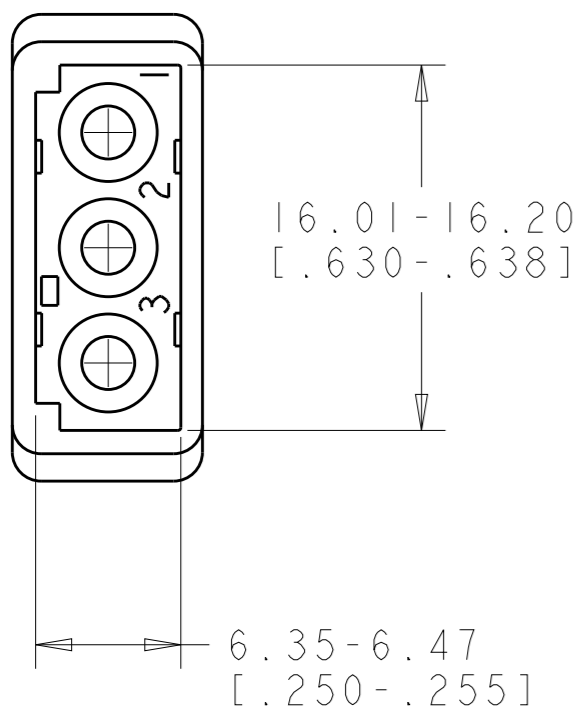
© COPYRIGHT 20

ALL RIGHTS RESERVED.

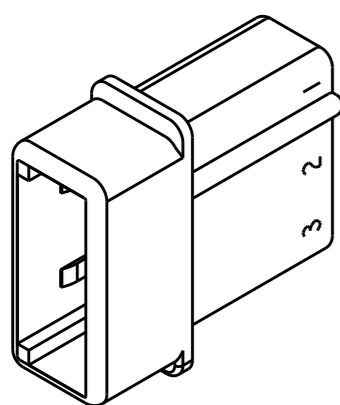
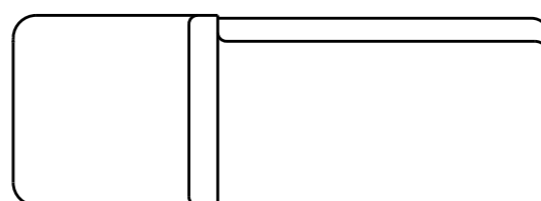
LOC CM DIST 00

REVISIONS

P	LTR	DESCRIPTION	DATE	DWN	APVD
R1		REVISED PER ECO-11-005294	06APR2011	RK	HMR
R2		REVISED PER ECR-14-015591	13NOV2014	AV	KD




1. MATES WITH HOUSING 480303 OR 480304.



SCALE 2:1

METRIC

BLACK	1-480305-9
RED	1-480305-2
NATURAL	1-480305-0
COLOR	PART NUMBER

THIS DRAWING IS A CONTROLLED DOCUMENT.		DWN K. WHITAKER 19APR2002	 TE Connectivity	
DIMENSIONS: mm [INCHES]		CHK D. COLEY 19APR2002		
TOLERANCES UNLESS OTHERWISE SPECIFIED:		APVD D. COLEY 19APR2002	NAME	
0 PLC ±- 1 PLC ±- 2 PLC ±0.13 [.005] 3 PLC ±- 4 PLC ±- ANGLES ±0° 30'		PRODUCT SPEC -	CAP, COMMERCIAL MATE-N-LOK™ 3 CIRCUIT	
MATERIAL NYLON, UL94V-2		FINISH -	APPLICATION SPEC -	RESTRICTED TO -
		WEIGHT -	SIZE A3	CAGE CODE 00779
		CUSTOMER DRAWING	DRAWING NO C-480305	SCALE 3:1
			SHEET 1 OF 1	REV R2