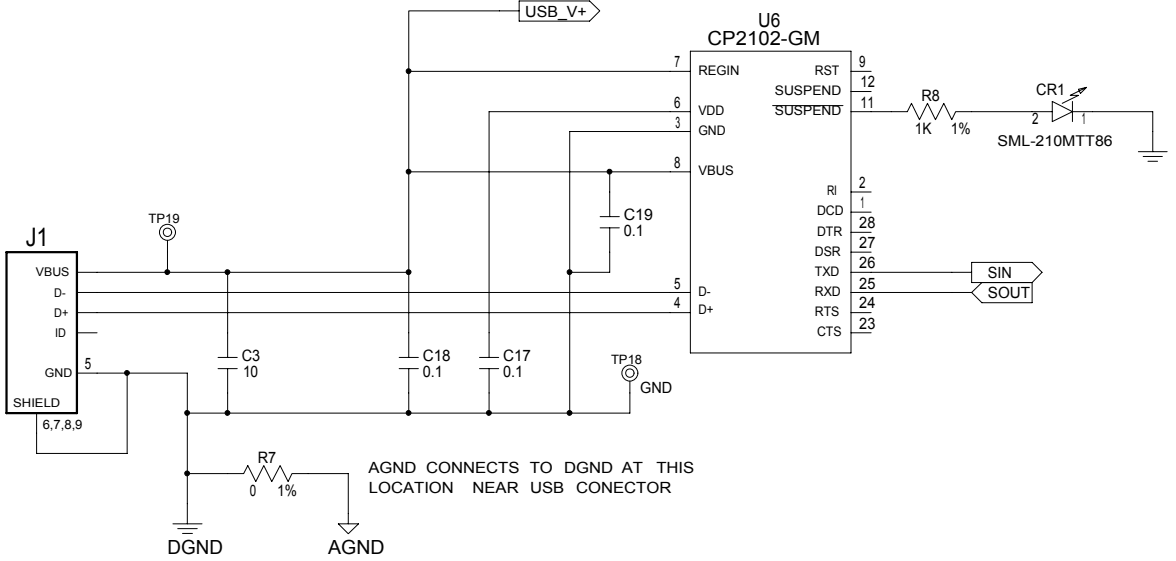
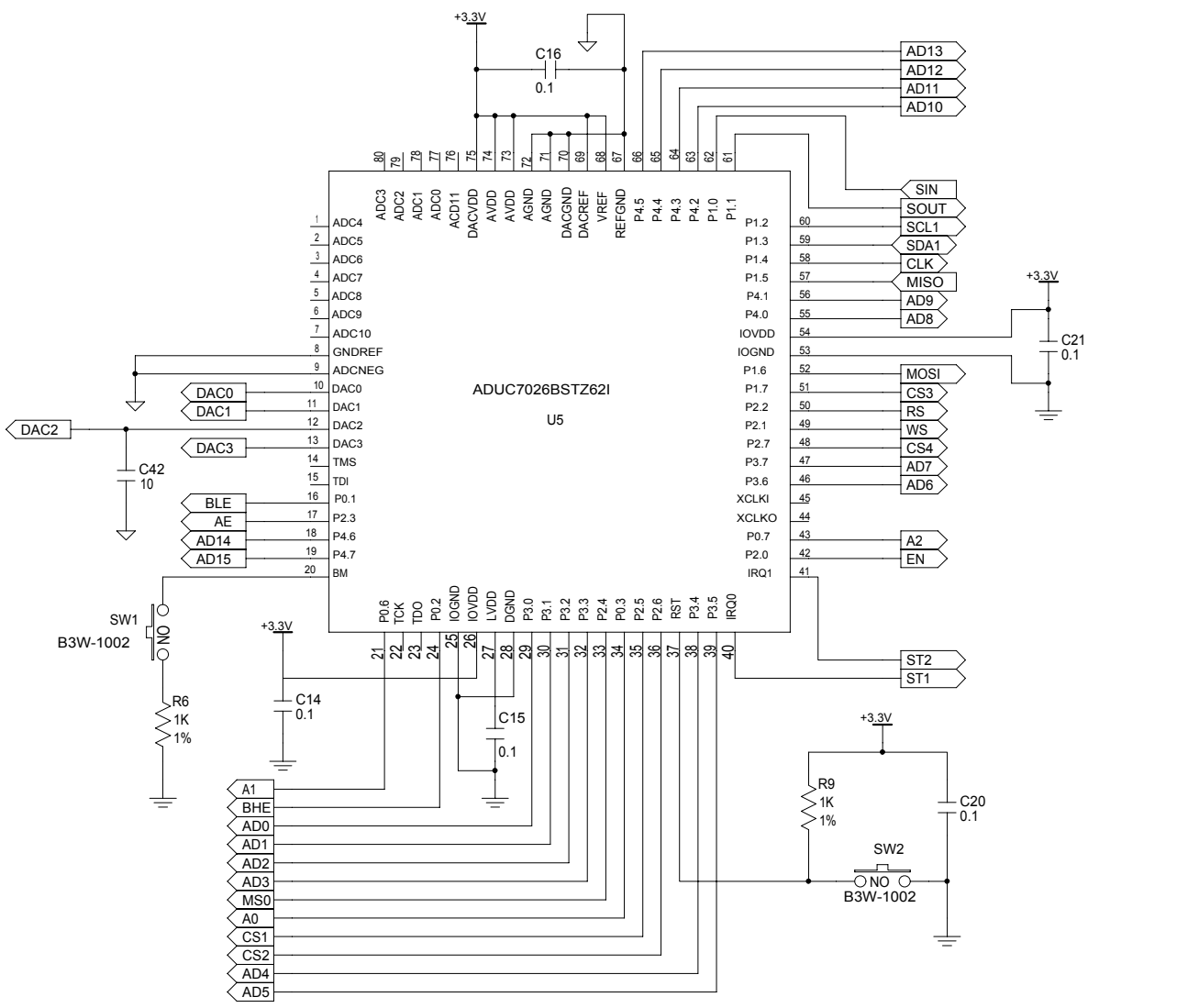
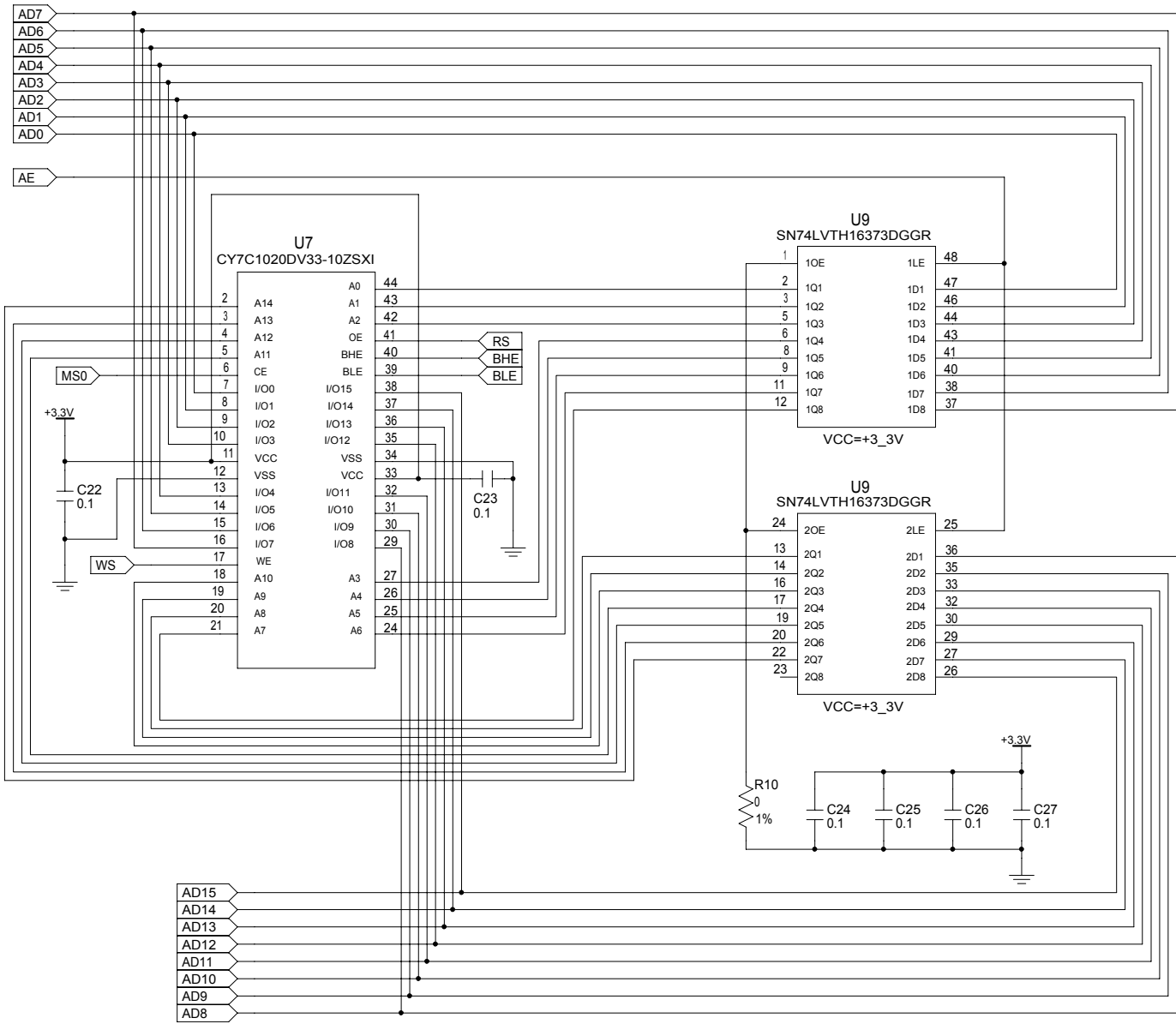


Intempco Controls Ltd.		
Title: ISEB - Motherboard		
Size A	Dwg No:	Rev:
Date:	Sheet: 1 of 4	



Intempco Controls Ltd.		
Title: ISEB - Motherboard		
Size A	Dwg No:	Rev:
Date:	Sheet: 2 of 4	



Intempco Controls Ltd.		
Title: ISEB - Motherboard		
Size A	Dwg No:	Rev:
Date:	Sheet: 3 of 4	

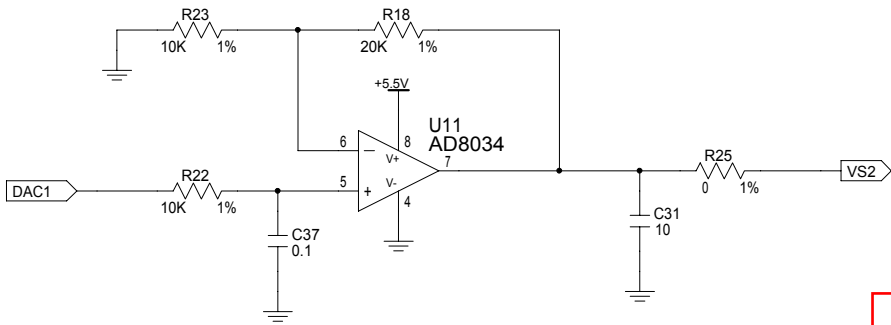
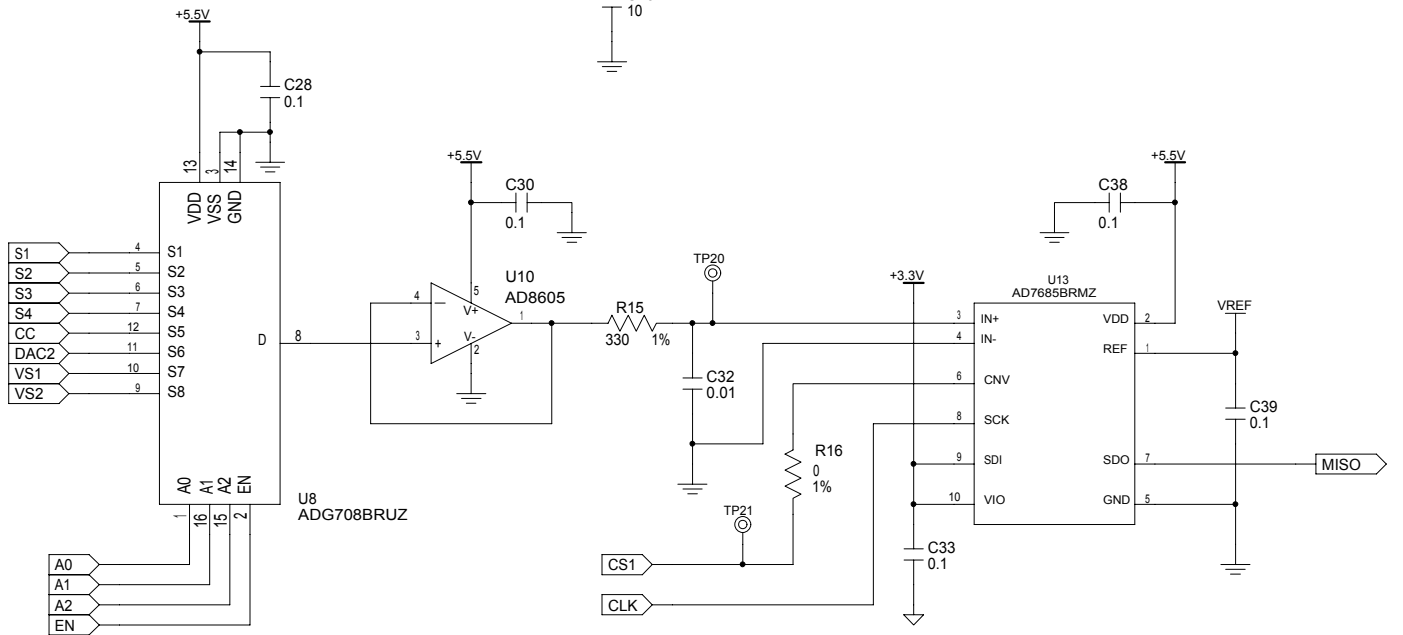
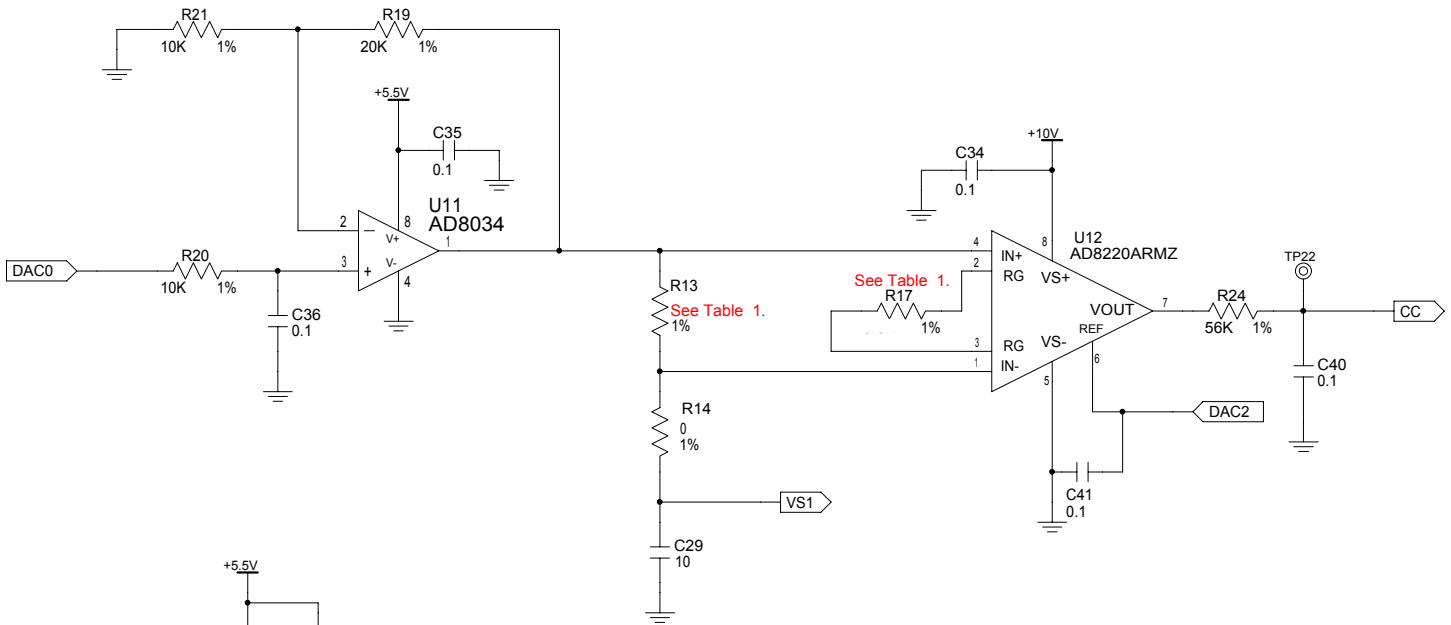


TABLE 1

MODEL	R13	R17
ADXL362Z-M	2.7 K	470
All other "-M"	56	5.6 K



Intempco Controls Ltd.		
Title: ISEB - Motherboard		
Size A	Dwg No:	Rev:
Date:	Sheet: 4 of 4	