

THIS DRAWING IS UNPUBLISHED.

RELEASED FOR PUBLICATION

20

© COPYRIGHT 20 BY -

ALL RIGHTS RESERVED.

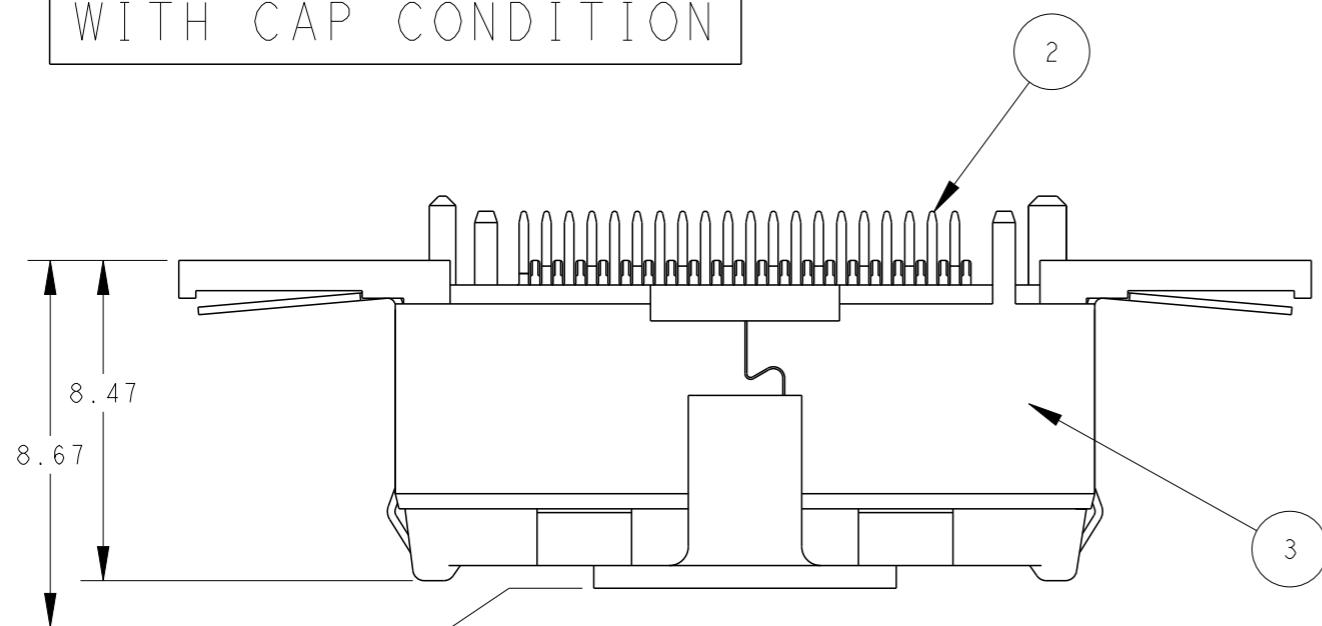
LOC DW DIST -

REVISIONS

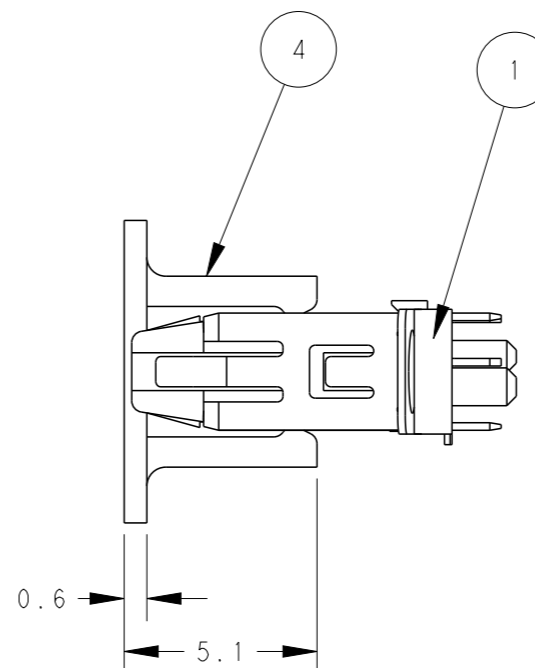
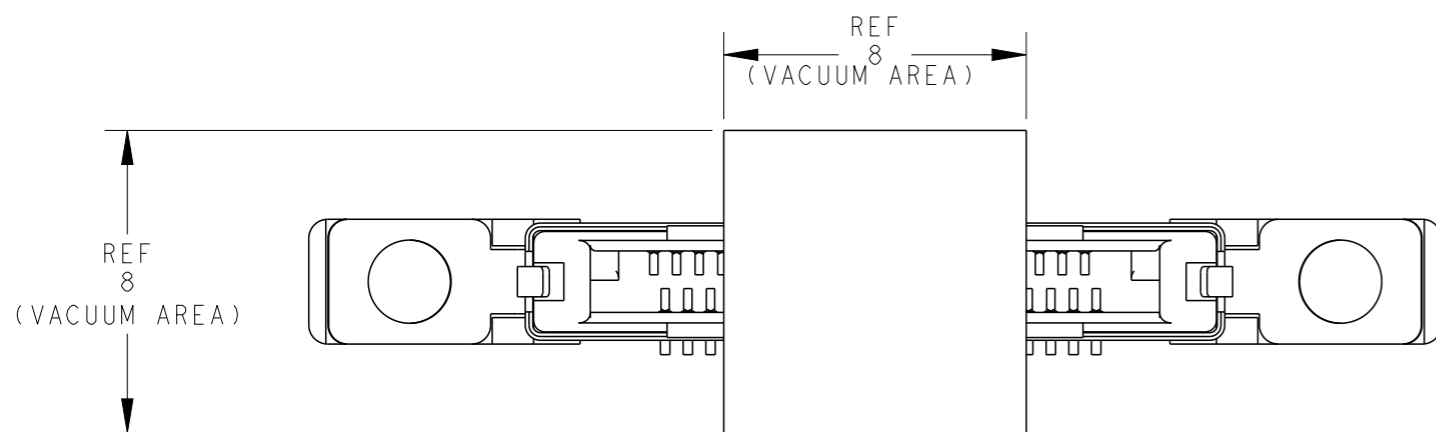
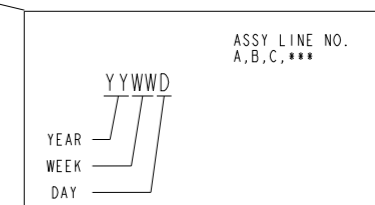
P	LTR	DESCRIPTION	DATE	DWN	APVD
C		REVISED PER ECR-21-001601	09OCT2021	R.M	S.Z
D		REVISED PER ECN-22-179466	14OCT2022	AK	SZ

WITH CAP CONDITION

2129261-1; AS SHOWN



- 1 MATERIAL: HOUSING: THERMO-PLASTIC(UL94V-0, BLACK).
CONTACT: COPPER ALLOY.
SHELL: STAINLESS STEEL.
CAP: THERMO-PLASTIC(UL94V-0, BLACK).
- 2 FINISH:
CONTACT: ALL OVER 2um MIN. Ni UNDER PLATING.
0.38um MIN. Au PLATING ON CONTACT AREA.
1~3um Tin PLATING ON TINE AREA.
SHELL: ALL OVER 1.3um MIN. Ni UNDER PLATING.
- 3. LOW HALOGEN SPECIFICATION
CHLORINE(Cl) : 900 ppm MAX.
BROMINE(Br) : 900 ppm MAX.
- 4 DATE CODE



I	CAP	④
I	SHELL	③
40	CONTACT	②
I	HOUSING	①
Q'TY	NAME	ITEM

THIS DRAWING IS A CONTROLLED DOCUMENT.

DWN	T. KUO	21MAR2011
CHK	V. PENG	21MAR2011
APVD	H. KODAMA	21MAR2011
PRODUCT SPEC	108-99033	
APPLICATION SPEC	-	
WEIGHT	1.14	
CUSTOMER DRAWING		

STE TE Connectivity

PLUG ASSY, 0.6mm PITCH
CHAMP DOCKING CONNECTOR, 40POS

DIMENSIONS:	TOLERANCES UNLESS OTHERWISE SPECIFIED:
mm	
0 PLC	±
1 PLC	±
2 PLC	±0.25
3 PLC	±3°
4 PLC	±
ANGLES	±
MATERIAL	FINISH
①	②

SIZE	CAGE CODE	DRAWING NO	RESTRICTED TO
A3	00779	C-2129261	-
SCALE	SHEET	OF	REV
5:1	1	5	D

THIS DRAWING IS UNPUBLISHED.

RELEASED FOR PUBLICATION

20

© COPYRIGHT 20 BY -

ALL RIGHTS RESERVED.

LOC
DW

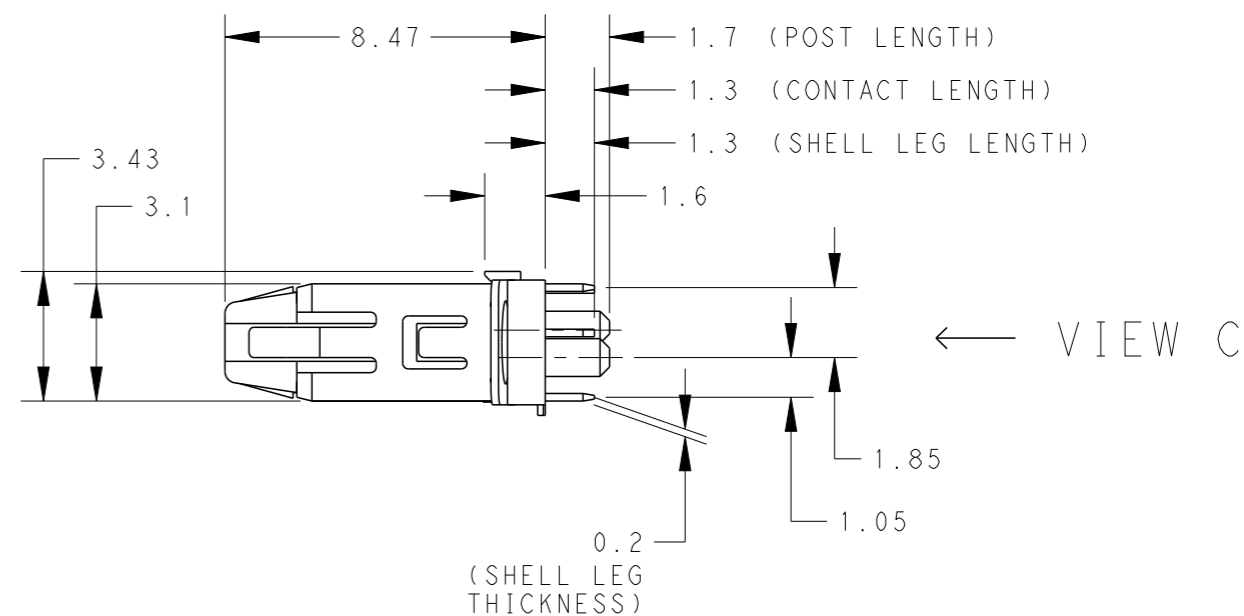
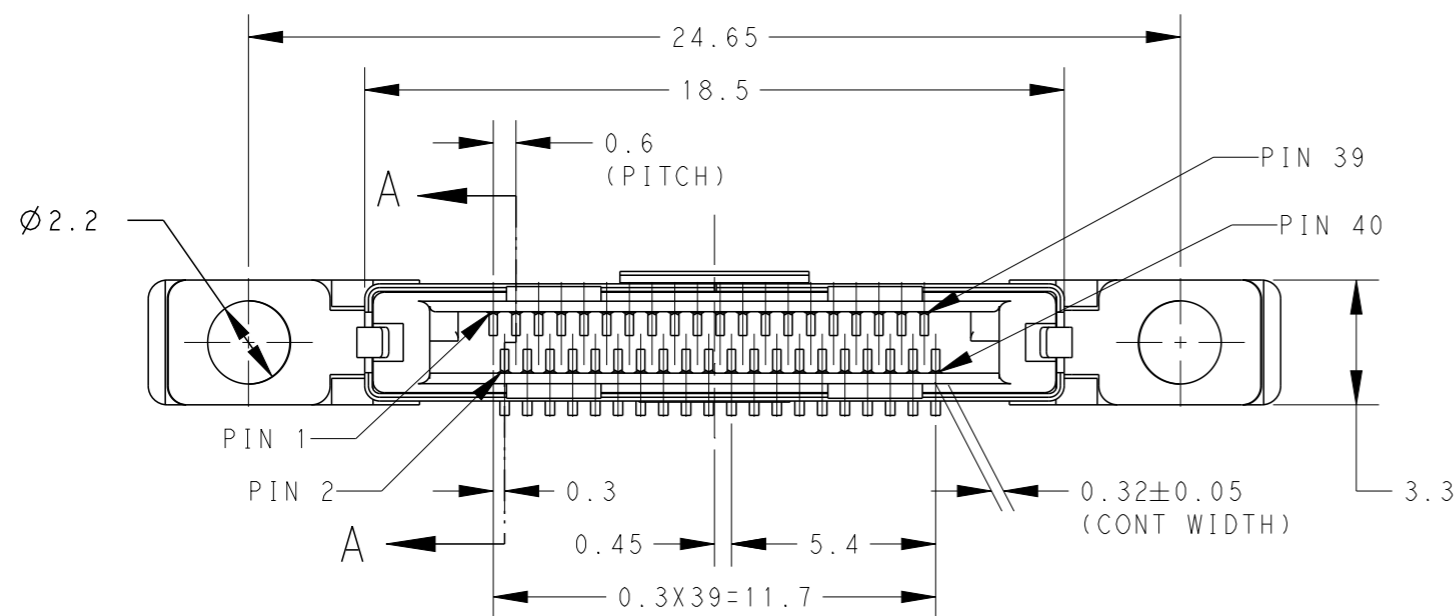
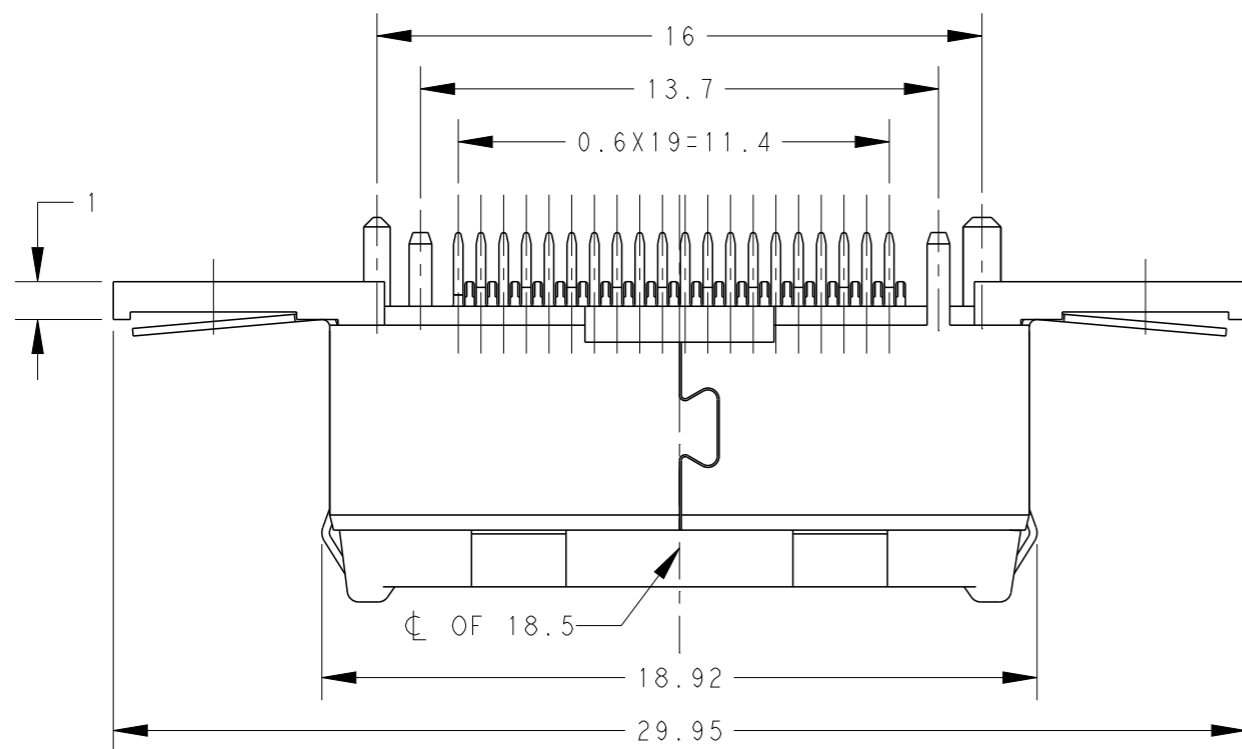
DIST

REVISIONS

P	LTR	DESCRIPTION	DATE	DWN	APVD
		SEE SHEET 1			

2129261-1; AS SHOWN

W/O CAP CONDITION



VIEW B

THIS DRAWING IS A CONTROLLED DOCUMENT.

DIMENSIONS:	TOLERANCES UNLESS OTHERWISE SPECIFIED:
mm	0 PLC ±
	1 PLC ± ±0.25
	2 PLC ± ±3°
	3 PLC ±
	4 PLC ±
	ANGLES ±
MATERIAL	FINISH

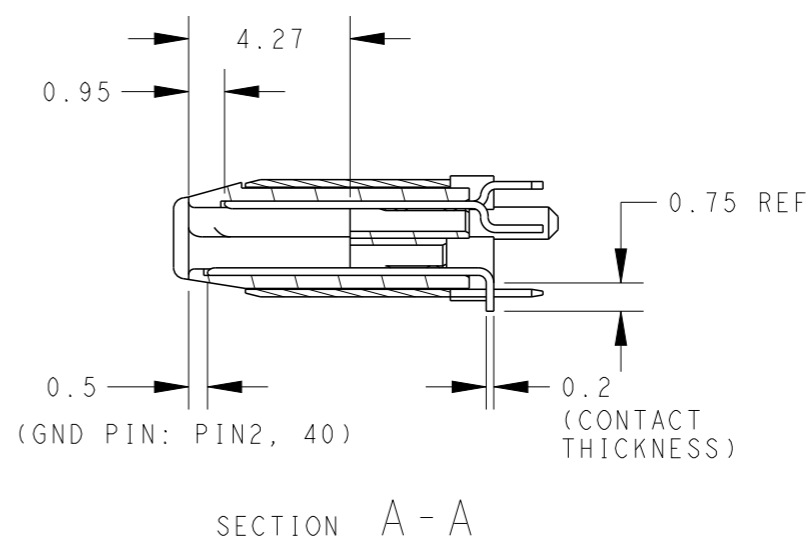
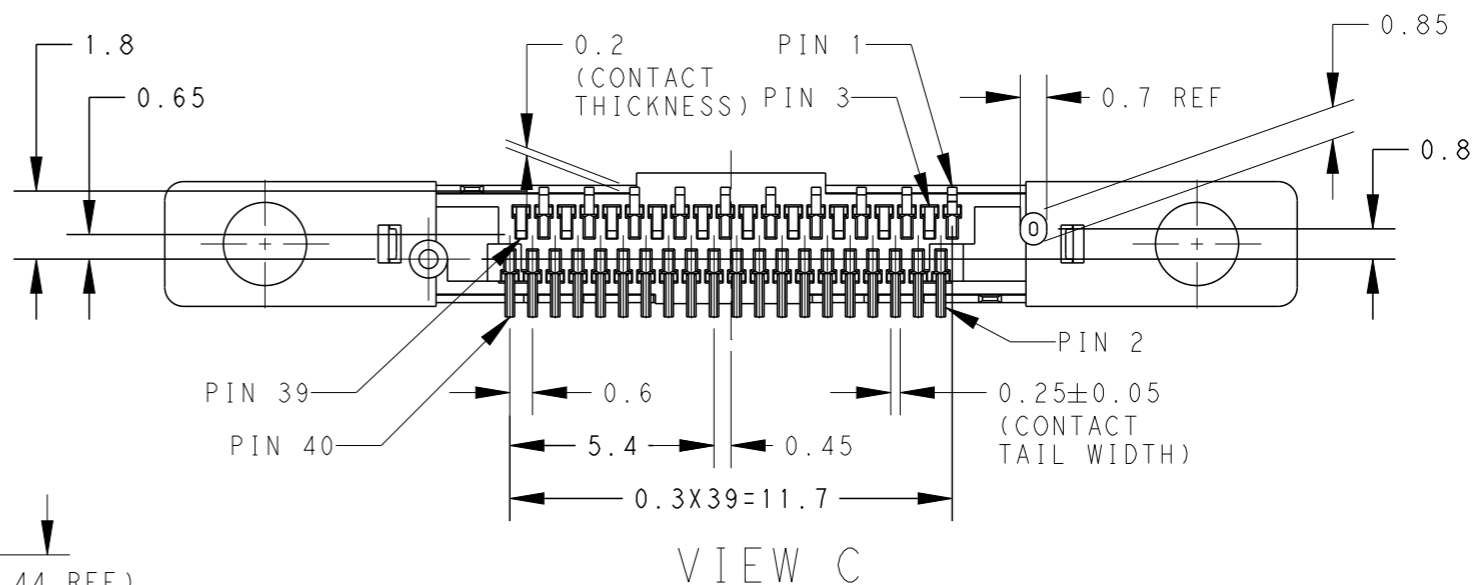
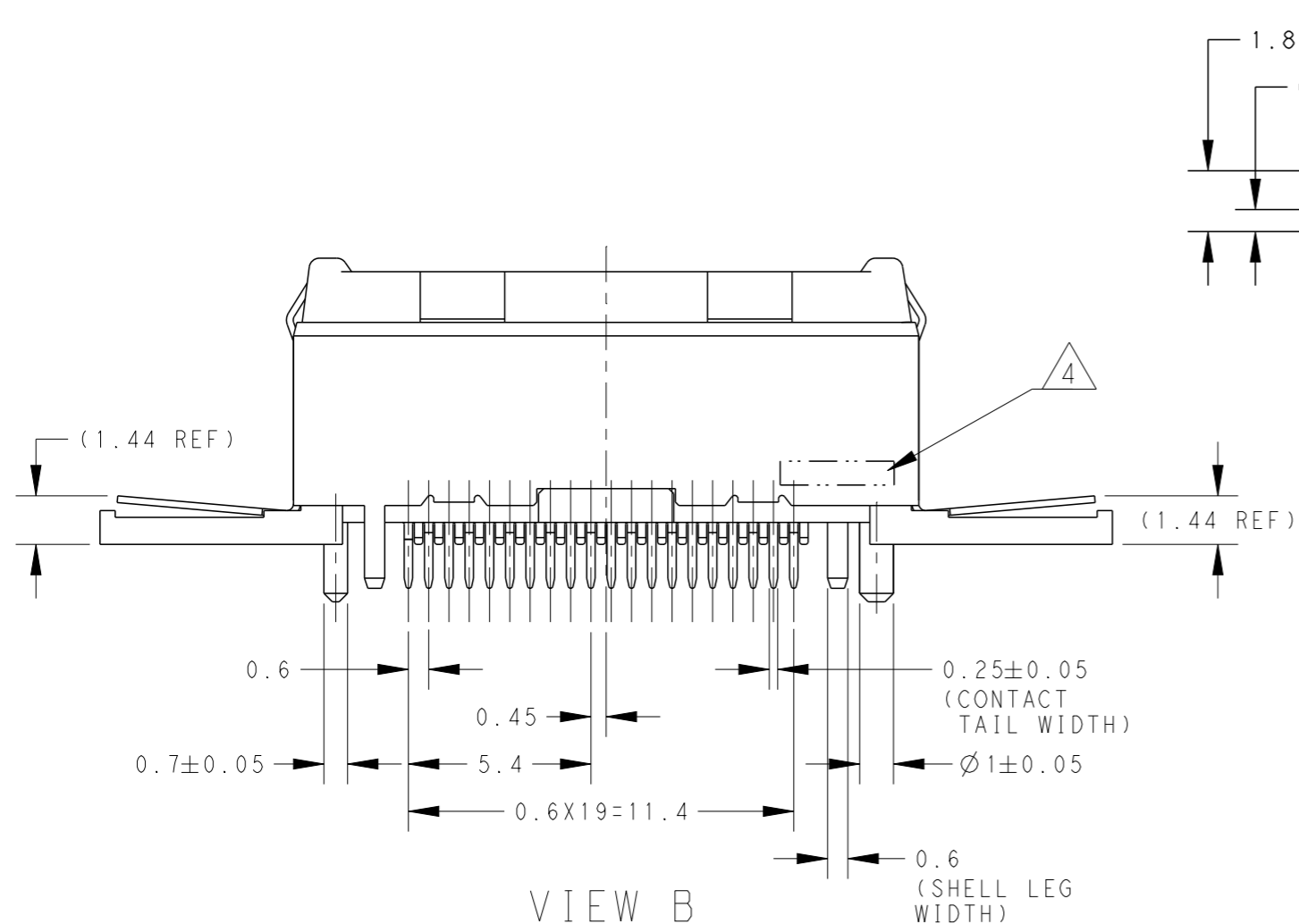
DWN	-
CHK	-
APVD	-
PRODUCT SPEC	-
APPLICATION SPEC	-
WEIGHT	0.97g
CUSTOMER DRAWING	

TE Connectivity		NAME		RESTRICTED TO
		PLUG ASSY, 0.6mm PITCH CHAMP DOCKING CONNECTOR, 40POS		
SIZE	CAGE CODE	DRAWING NO		
A3	00779	C-2129261		
SCALE 5:1		SHEET 2 OF 5		REV D

LOC DW DIST

REVISIONS

P	LTR	DESCRIPTION	DATE	DWN	APVD
		SEE SHEET 1			



THIS DRAWING IS A CONTROLLED DOCUMENT.

DIMENSIONS: mm

TOLERANCES UNLESS OTHERWISE SPECIFIED:

0 PLC	±	±0.25
1 PLC	±	±0.25
2 PLC	±	±3°
3 PLC	±	±3°
4 PLC	±	±3°
ANGLES	±	±
FINISH	-	-

MATERIAL -

DWN	-
CHK	-
APVD	-
PRODUCT SPEC	-
APPLICATION SPEC	-
WEIGHT	-
CUSTOMER DRAWING	-

STE TE Connectivity

NAME: PLUG ASSY, 0.6mm PITCH CHAMP DOCKING CONNECTOR, 40POS

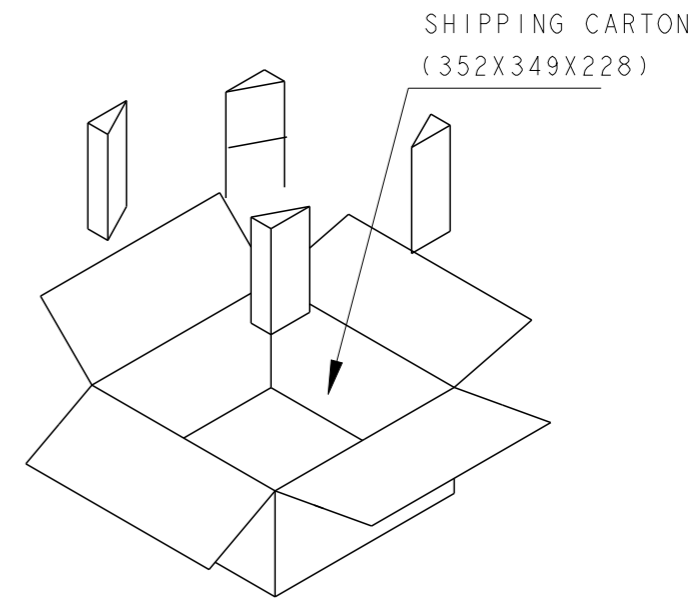
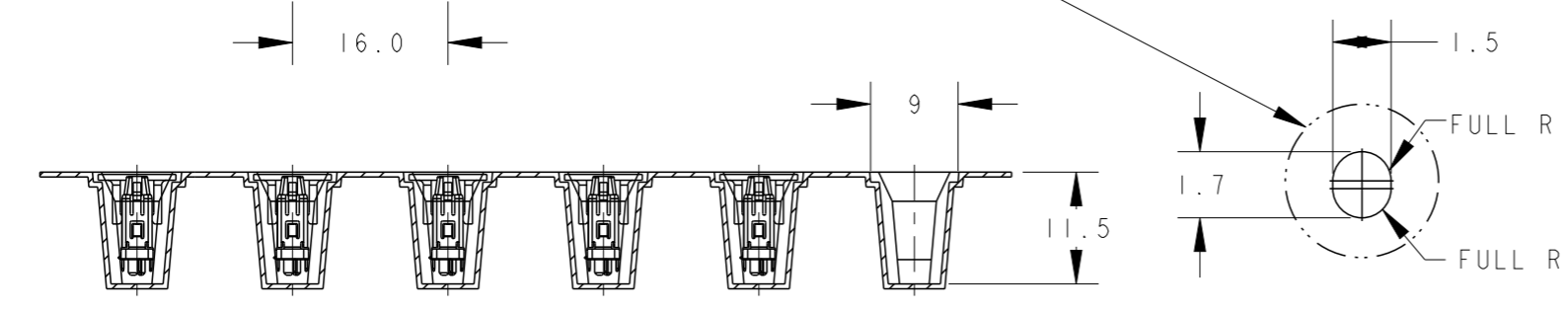
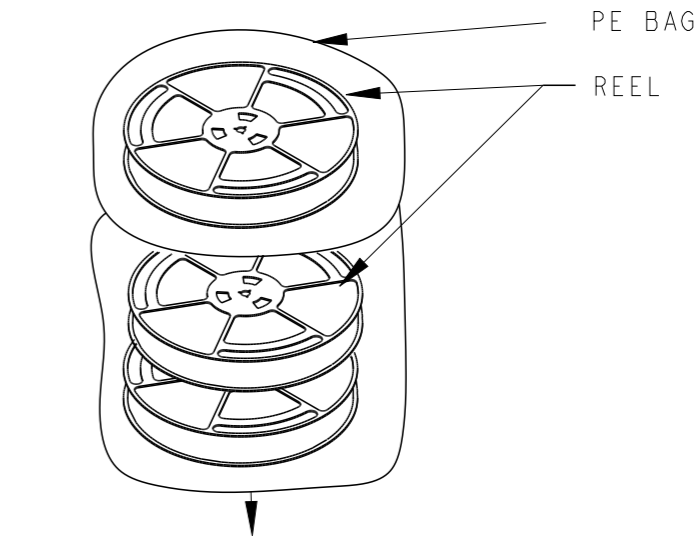
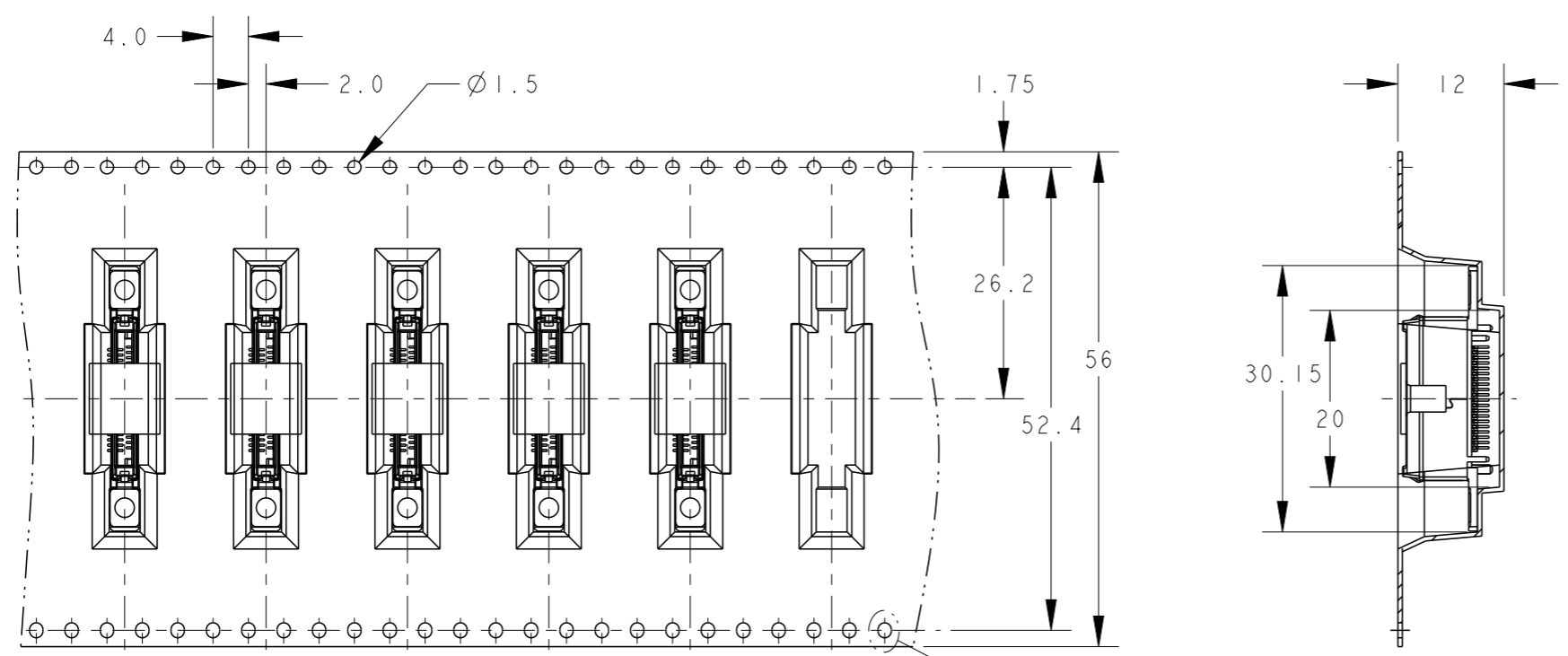
SIZE	CAGE CODE	DRAWING NO	RESTRICTED TO
A3	00779	C-2129261	-

SCALE: 5:1 SHEET: 3 OF 5 REV: D

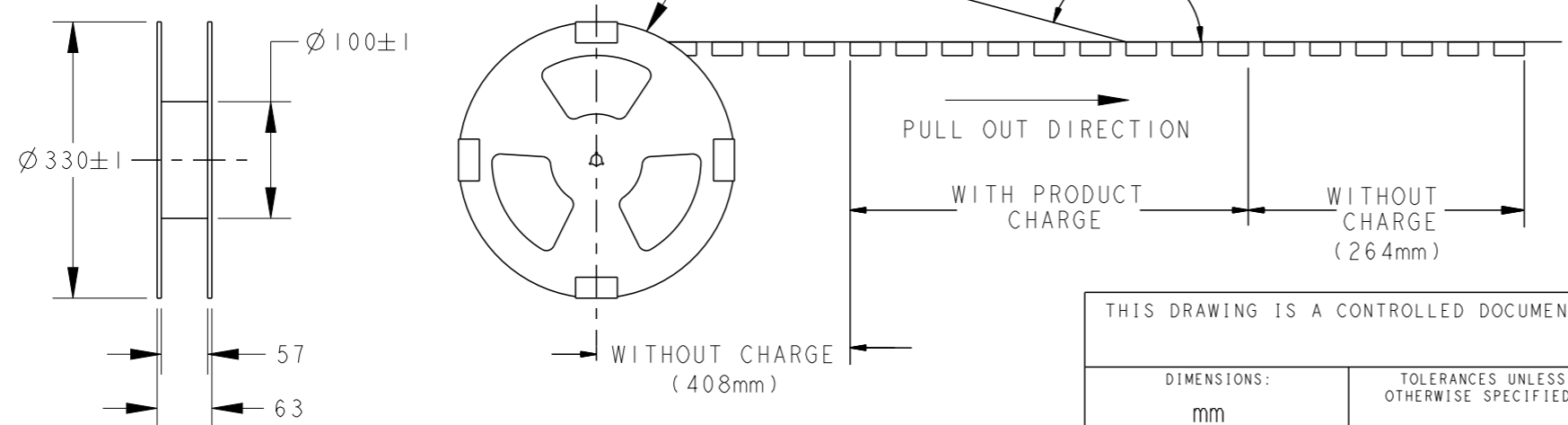
THIS DRAWING IS UNPUBLISHED. RELEASED FOR PUBLICATION 20
 © COPYRIGHT 20 BY - ALL RIGHTS RESERVED.

LOC DW DIST

REVISIONS					
P	LTR	DESCRIPTION	DATE	DWN	APVD
		SEE SHEET 1			



AROUND THE OUTER PERIPHERY IN A TURN.
 WEEDING THE COVER TAPE
 PEELING ANGLE: 165°~180°



6. PACKING MATERIAL:
 CARRY TAPE: PS; COLOR:BLACK.
 COVER TAPE: PET; COLOR: CLEAR.
 PEELING STRENGTH OF COVER TAPE: 0.2N~1.2N

PCS/TAPE	REELS/CARTON	TOTAL QUANTITY
300	3	900

THIS DRAWING IS A CONTROLLED DOCUMENT.		DWN	-	 TE Connectivity	NAME PLUG ASSY, 0.6mm PITCH CHAMP DOCKING CONNECTOR, 40POS
DIMENSIONS: mm		CHK	-		
TOLERANCES UNLESS OTHERWISE SPECIFIED:		APVD	-		
0 PLC ± 1 PLC ± ±0.5 2 PLC ± ±3° 3 PLC ± 4 PLC ± ANGLES ± FINISH -		PRODUCT SPEC	-		
MATERIAL		APPLICATION SPEC	-	SIZE	A3
		WEIGHT	-	CAGE CODE	00779
		CUSTOMER DRAWING	-	DRAWING NO	C-2129261
				RESTRICTED TO	-
				SCALE	8:1
				SHEET	5 OF 5
				REV	D