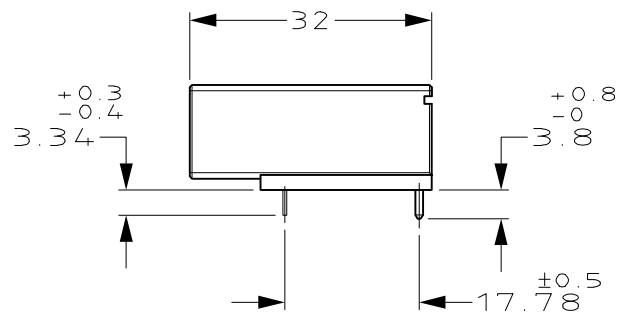
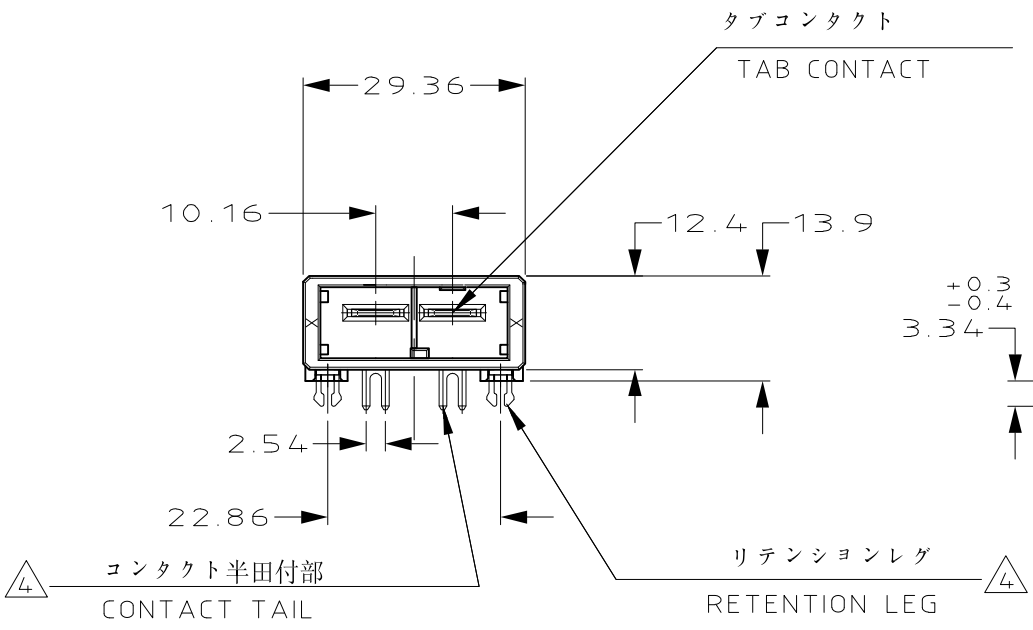
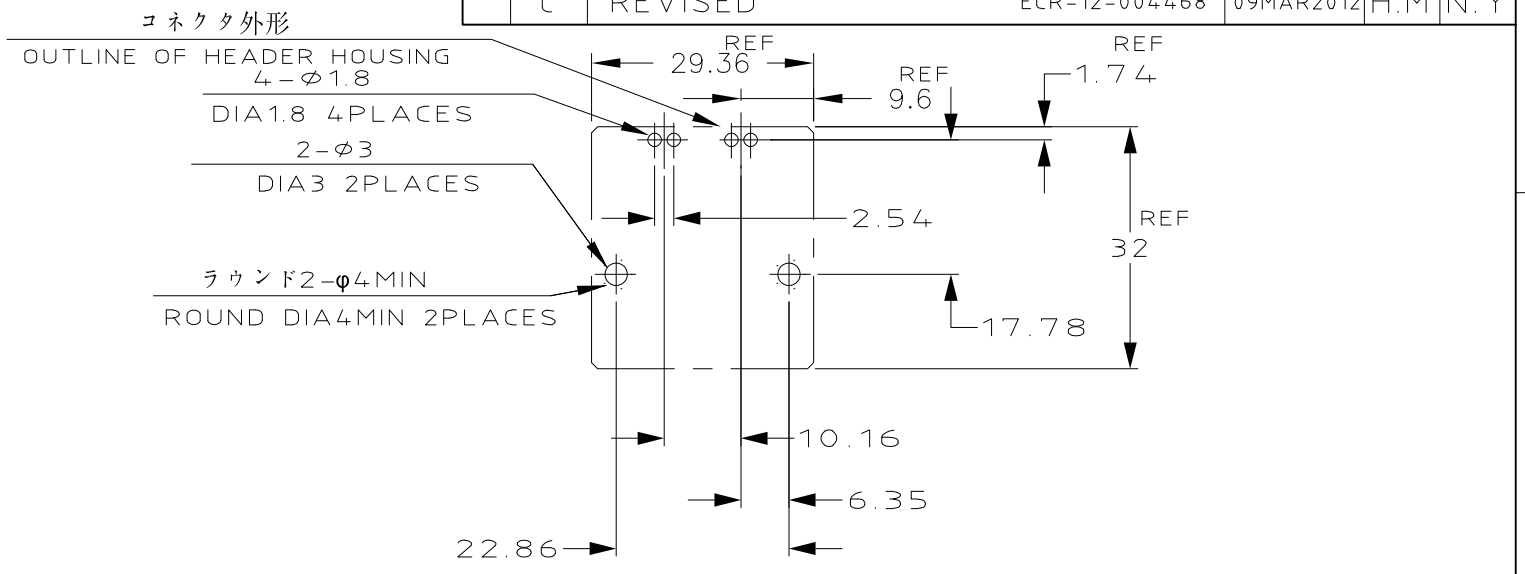
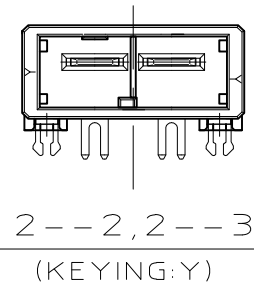
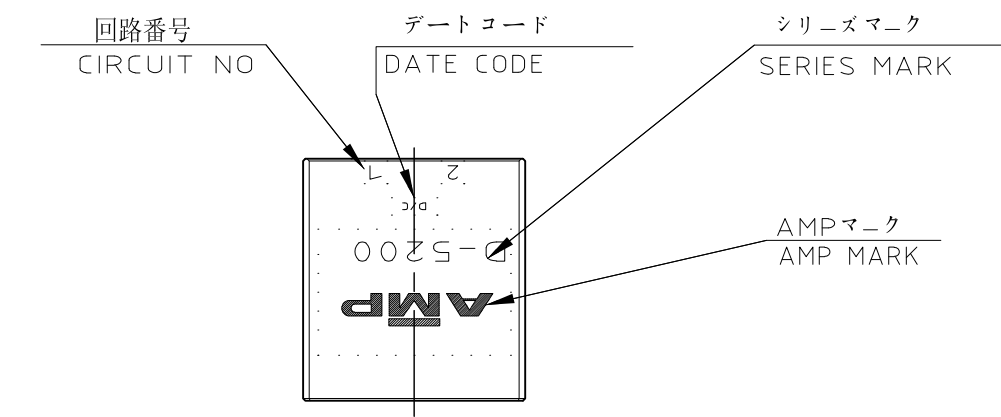


THIS DRAWING IS UNPUBLISHED. RELEASED FOR PUBLICATION  
 © COPYRIGHT - By Tyco Electronics Japan G.K. ALL RIGHTS RESERVED.

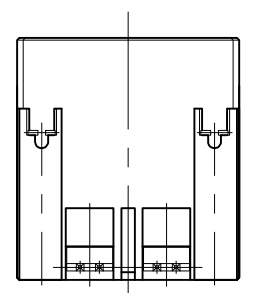
LOC	DIST	REVISIONS				
P	LTR	DESCRIPTION	DATE	DWN	APVD	
J	-	O	RELEASED	FJ00-4343-96	04JUL1996	K.I Y.I
		A	REVISED	FJ00-0096-97	03FEB2003	K.I Y.I
		B	REVISED	FJD0-0039-03	02JUN2003	T SSM
		C	REVISED	ECR-12-004468	09MAR2012	H.M N.Y



推奨基板取付け穴寸法(公差 ±0.05)  
 PC 基板厚:1.6~2.4±0.1  
 (コネクタ搭載面)

RECOMENDED PC BOARD HOLE PATTERN(TOL:±0.05)  
 PC BOARD THICKNESS:1.6~2.4±0.1  
 (CONNECTOR MOUNT SIDE)

1--2, 1--3  
 (KEYING:X)



NOTES

- MATERIAL:HOUSING:GLASS FILED THERMO PLASTIC ,POLYESTER(94V-0),COLOR:BLACK  
 TAB CONTACT:COPPER ALLOY  
 RETENTION LEG:BRASS
- FINISH(CONTACT AREA):0.38μmMIN GOLD PLATING OVER Ni PLATING
- FINISH(CONTACT AREA):0.76μmMIN GOLD PLATING OVER Ni PLATING
- FINISH(RETENTION LEG): TIN PLATED (CONTACT TAIL) OVER NICKEL

注記

- 材料 ハウジングガラス入り熱可塑性ポリエステル樹脂(94V-0),色 黒  
 タブコンタクト:銅合金  
 リテンションレグ:黄銅
- めっき:コンタクト全面Ni下地  
 接触部0.38μm MIN金めっき
- めっき:コンタクト全面Ni下地  
 接触部0.76μm MIN金めっき
- めっき:リテンションレグとコンタクト半田付部  
 :ニッケル下地の上にスズめっき

KEY TYPE	コンタクトのめっき (FINISH)	製品番号 (PART NO.)
Y	△4 △3	2-353079-3
	△4 △2	2-353079-2
X	△4 △3	1-353079-3
	△4 △2	1-353079-2

THIS DRAWING IS A CONTROLLED DOCUMENT.		DWN K.IKEDA 04JUN1996	TE Connectivity	
DIMENSIONS: mm		CHK Y.ISHIKAWA 04JUL1996		
TOLERANCES UNLESS OTHERWISE SPECIFIED:		APVD S.MANABE 04JUL1996	NAME SINGLE ROW HEADER ASST 2P -H-TYPE DYNAMIC D-5200 S	
		PRODUCT SPEC 108-5453	RESTRICTED TO	
MATERIAL SEE NOTE		APPLICATION SPEC 114-5206	SIZE A3	CAGE CODE 00779
FINISH SEE NOTE		WEIGHT	DRAWING NO C-353079	REV C
CUSTOMER DRAWING			SCALE 1:1	SHEET 1 OF 1