

TOSHIBA

To: _____

Notification about Change of Marking of Package SOD-923 (Addition of Year and Week Marks)

Issue No. H440-OJ-011P-1
Date of issue: October 26, 2020

Toshiba Semiconductor (Thailand) Co., Ltd.

Quality And Reliability Engineering Group
Quality Assurance Department
Himeji Operations - Semiconductor

Toshiba Electronic Devices & Storage Corporation

© 2020 Toshiba Electronic Devices & Storage Corporation

TOSHIBA Confidential

1

1. Description of the change

1. Package subjected to the change

The change of marking is applied to package SOD-923 that is manufactured at Toshiba Semiconductor (Thailand) Co., Ltd. (Abbreviation: TST).

2. Purpose of the change

To improve lot traceability.

3. Description of the change

The product marking is changed.

- Dots for the lot number “year and week of manufacture” is added.

- In line with the change, the mark layout, etc. is modified.

- ※ Other products have already been manufactured with dots or numeric characters for “year and week of manufacture.” See the following pages for the details.

4. Schedule of the change

The change is scheduled to start from the production of October 2021.

5. Other

The other items, such as electrical characteristics and reliability, will not be changed.

2. Change point

2-1) Details of the change (Rough illustration)

Representative product: DF2S6.2FS

	Before change	After change
Image (Rough illustration)		
Difference	Only dots for V_z ranking are marked.	Dots for “year and week of manufacture” are added. <p>The example indicates that the product was manufactured in the 40th week of 2020.</p>

※ Whether or not the dots for V_z ranking are marked depends on the package size.

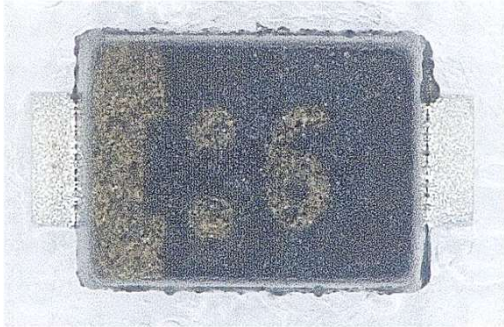

... Dot for V_z ranking

© 2020 Toshiba Electronic Devices & Storage Corporation

2. Change point

2-2) Details of the change (Photo)

Representative product: DF2S6.2FS

	Before change	After change
Product photo (Example)	 A top-down photograph of a square, dark-colored electronic component with two silver leads extending from the left and right sides. The surface shows some yellowish-brown discoloration or residue.	 A top-down photograph of the same square, dark-colored electronic component, showing a similar appearance to the 'Before change' image, with some yellowish-brown discoloration or residue on the surface.

The example indicates that the product was manufactured in the 40th week of ^h 2020.

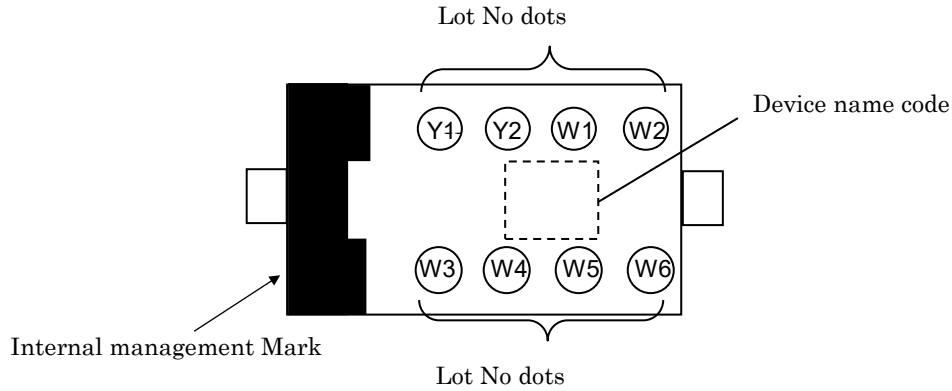
TOSHIBA



This document explains the significance of Lot No. marked on the packages of SOD-923. (For Thailand products)

1. Lot No. Designation

Year and week of manufacture Lot No indicated dots of both sides within mark, refer to below image.



2. Explained Lot No dots of year and week

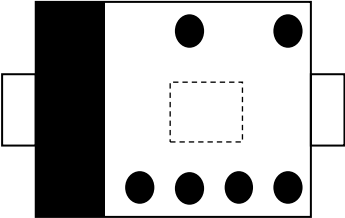
Last one digit of year from indicated Y1 and Y2 dots position.

	0 or 4 or 8	1 or 5 or 9	2 or 6	3 or 7
Y1 Dot			●	●
Y2 Dot		●		●

Production 1 to 53 week from indicated W1 to W6 dots position.

weekly	W1 Dot	W2 Dot	W3 Dot	W4 Dot	W5 Dot	W6 Dot	weekly	W1 Dot	W2 Dot	W3 Dot	W4 Dot	W5 Dot	W6 Dot
1						●	35	●				●	●
2					●		36	●			●		
3					●	●	37	●			●		●
4				●			38	●			●	●	
5				●		●	39	●			●	●	●
6				●	●		40	●		●			
7				●	●	●	41	●		●			●
8			●				42	●		●		●	
9			●			●	43	●		●		●	●
10			●		●		44	●		●	●		
11			●		●	●	45	●		●	●		●
12			●	●			46	●		●	●	●	
13			●	●		●	47	●		●	●	●	●
14			●	●	●		48	●	●				
15			●	●	●	●	49	●	●				●
16		●					50	●	●			●	
17		●				●	51	●	●			●	●
18		●			●		52	●	●		●		
19		●			●	●	53	●	●		●		●
20		●		●									
21		●		●		●							●
22		●		●	●								
23		●		●	●	●							
24		●	●										
25		●	●										●
26		●	●		●								
27		●	●		●	●							●
28		●	●	●									
29		●	●	●									●
30		●	●	●	●								
31		●	●	●	●	●							
32	●												
33	●												●
34	●				●								

For example below mark image, manufactured year xxx9 and week 31th, dots mean "931".



PART NUMBER	CODE
1SS413,L3M(B	38123319
1SS413,L3SONYM(B	38123675
1SS413,L3XGM(B	38123778
1SS416,L3M(B	38123320
1SS416,L3SONYM(B	38123676
1SS416,L3XGM(B	38123595
1SS417,L3M(B	38123321
1SS427,L3M(B	38123322
1SS427,L3SONYM(B	38123796
1SS427,L3XGM(B	38123700
DF2B6.8AFS,L3M(B	38123335
DF2B6.8AFS,L3SYM(B	38123681
DF2B6.8AFS,L3XGM(B	38123660
DF2B7AFS,L3M(B	38123763
DF2B7AFS,L3XGM(B	38123895
DF2S10FS,L3M(B	38123327
DF2S12FS,L3M(B	38123328
DF2S16FS,L3M(B	38123329
DF2S16FS,L3XGM(B	38123562
DF2S20FS,L3M(B	38123330
DF2S24FS,L3M(B	38123331
DF2S24FS,L3XGM(B	38123701
DF2S30FS,L3M(B	38123332
DF2S5.1FS,L3M(B	38123318
DF2S5.6FS,L3M(B	38123323
DF2S5.6FS,L3SOYM(B	38123678
DF2S5.6FS,L3XGM(B	38123849
DF2S6.2FS,L3M(B	38123324
DF2S6.2FS,L3XGM(B	38123561
DF2S6.8FS,L3M(B	38123325
DF2S6.8FS,L3SOYM(B	38123677
DF2S6.8FS,L3XGM(B	38123748
DF2S6.8MFS,L3M(B	38123333
DF2S6.8MFS,L3PGM(B	38123674
DF2S6.8UFS,L3M(B	38123334
DF2S6.8UFS,L3PAM(B	38123564
DF2S6.8UFS,L3SYM(B	38123680
DF2S6.8UFS,L3XGM(B	38123712
DF2S8.2FS,L3M(B	38123326
DF2S8.2FS,L3SOYM(B	38123679