

REVISIONS					
P	LTR	DESCRIPTION	DATE	DWN	APVD
R3		REVISED PER ECN-23-197692	06MAR2023	GSK	MDD

SPECIFICATIONS:

MATERIAL

BASE, PPS, UL94V-0, BLACK  
 COVER, PPS, UL94V-0, BLACK  
 ACTUATOR, PA6T, UL94V-0, WHITE  
 FIXED CONTACT/TERMINAL, CU ALLOY-GOLD FLASH OVER NICKEL  
 MOVING CONTACT, CU ALLOY, PLATE-GOLD FLASH/NICKEL

ELECTRICAL:


MAX CONTACT RATING SWITCHING, -100mA @5VDC (Ampere max)  
 - 25mA @24VDC (Voltage max)  
 MIN CONTACT RATING SWITCHING, .1MICROAMP @ 1 MILLIVOLT  
 MAX CONTACT NON-SWITCHING, 1AMP @ 5 VDC  
 INITIAL CONTACT RESISTANCE, 50 MILLIOHMS MAX.  
 CONTACT RESISTANCE (AFTER ENVIRONMENTAL TEST), 100 MILLIOHMS  
 CONTACT RESISTANCE (AFTER GAS TEST), 300 MILLIOHMS  
 INSULATION RESISTANCE, 100MΩ MIN. @100VDC  
 DIELECTRIC STRENGTH, 500 VAC RMS @ SEA LEVEL  
 LIFE EXPECTANCY, 1,000 CYCLES

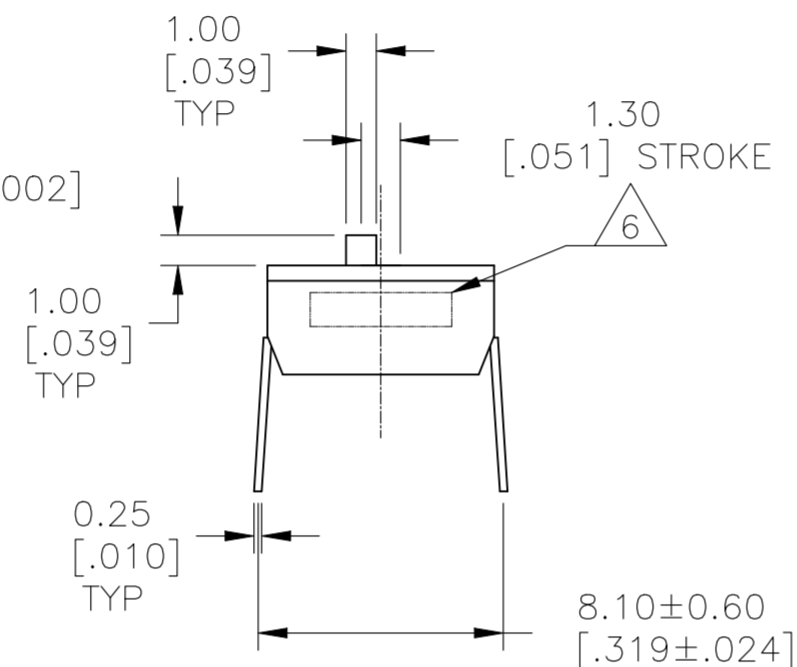
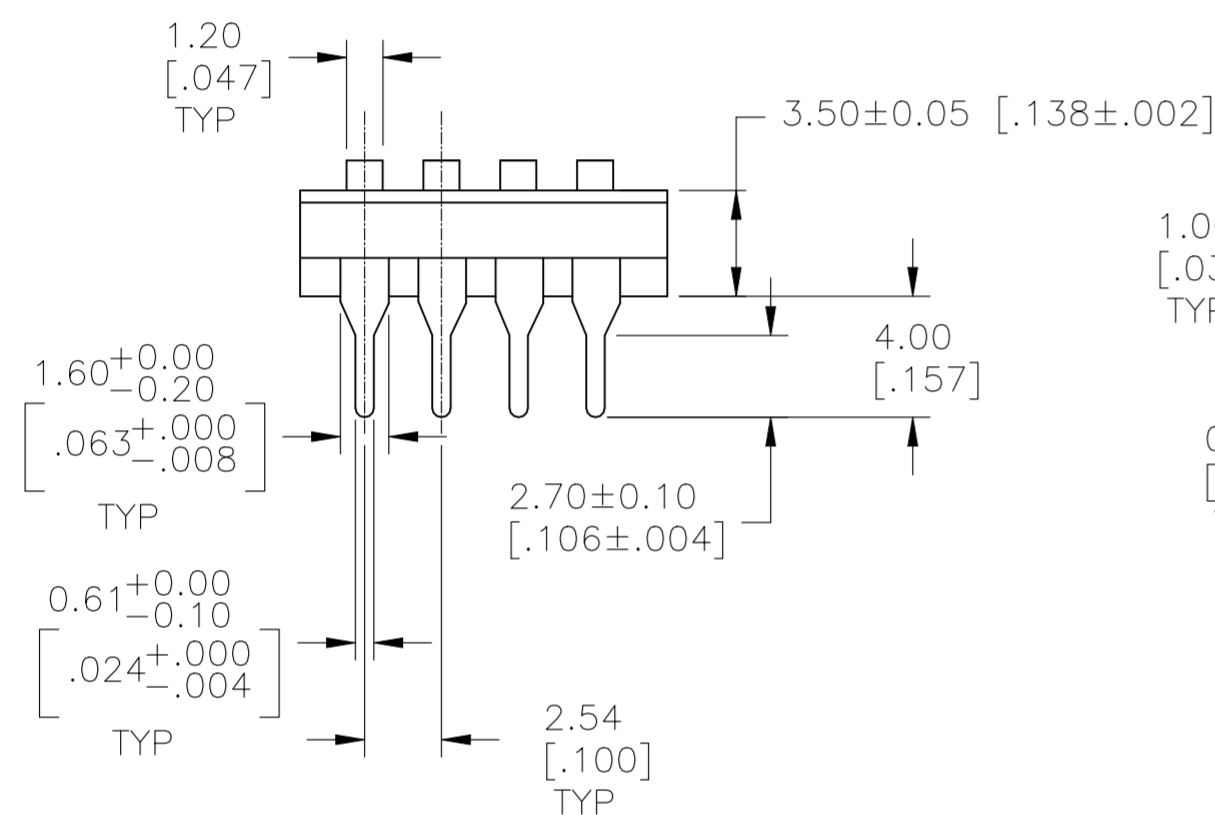
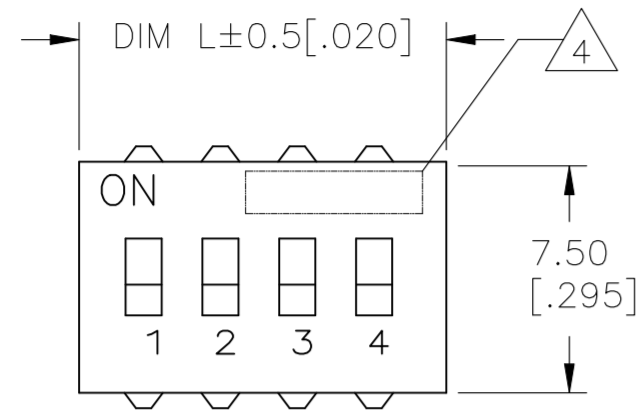
MECHANICAL

OPERATING FORCE, LESS THAN 800 GRAMS  
 CONTACT PRESSURE, 280,000 PSI

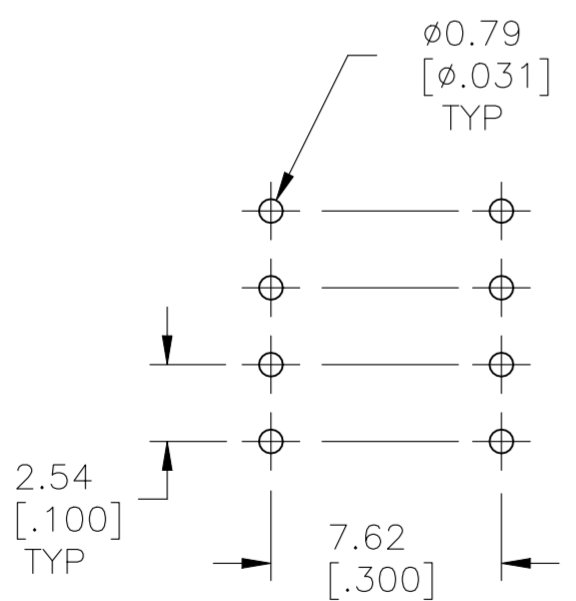
ENVIRONMENTAL

OPERATING TEMPERATURE, -30 TO +85 DEGREES C  
 STORAGE TEMPERATURE, -45 TO +105 DEGREES C  
 CLEANING, AQUEOUS OR SOLVENT  
 SOLDER HEAT RESISTANCE, PER 109-202, COND B, SWITCH "OFF".  
 SOLDERABILITY PER JIS C 0050 & JIS 0053

- SWITCHES TO BE RECEIVED IN THE "OFF" POSITION AND PACKAGED IN CLEAR TUBES TO ACCOMMODATE AUTO-INSERTION.
- TOP SURFACE TO BE CLEARLY MARKED AS SHOWN
- SWITCHES TO BE BLACK WITH WHITE ACTUATORS AND MARKINGS.
-  MARK ALCO PLUS FIRST 5 DIGITS PER T&B P/N COLUMN (E.G.: ALCO ADE12), ON 2 AND 3 POSITION SWITCH WITHOUT ALCO
- ALL MATERIALS AND FINISHES SHALL COMPLY WITH EU DIRECTIVE 2002 /95/EC OF 27JAN2003 (ROHS)



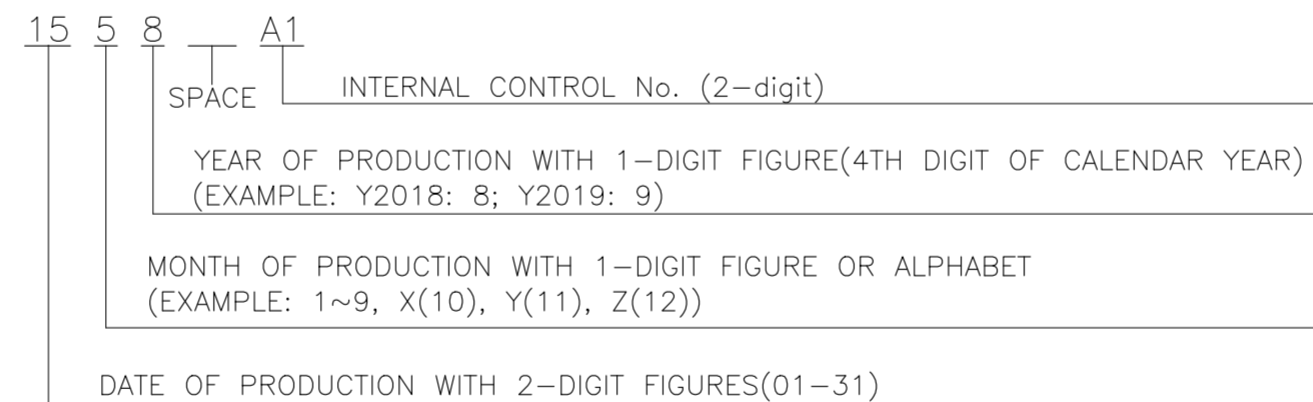
ADE



P.C. LAYOUT  
INSERT MOUNT



LOT CODE MARKING



T&B P/N	DIM L	POSITION	PART NO.
ADE1204	32.51 [1.280]	12	1-1825057-0
ADE1004	27.40 [1.078]	10	1825057-9
ADE0904	24.84 [.978]	9	1825057-8
ADE0804	22.30 [.878]	8	1825057-7
ADE0704	19.80 [.778]	7	1825057-6
ADE0604	17.22 [.678]	6	1825057-5
ADE0504	14.70 [.578]	5	1825057-4
ADE0404	12.14 [.478]	4	1825057-3
ADE0304	9.60 [.378]	3	1825057-2
ADE0204	7.06 [.278]	2	1825057-1

THIS DRAWING IS A CONTROLLED DOCUMENT.		DWN B.S.VISWESWARA	TE Connectivity	
DIMENSIONS: mm [INCHES]		CHK M.SARVER	NAME	
TOLERANCES UNLESS OTHERWISE SPECIFIED:		APVD M.SARVER	DIP SWITCH, ADE THRU HOLE	
0 PLC ± -		PRODUCT SPEC	SIZE	CAGE CODE
1 PLC ± -		APPLICATION SPEC	A2	00779
2 PLC ± -		WEIGHT	DRAWING NO	
3 PLC ± .30 [.012]		CUSTOMER DRAWING	C=1825057	
4 PLC ± -		SCALE	SHEET	
ANGLES ± -		4:1	1 OF 1	
FINISH		REV		R3