

10 9 8 7 6 5 4 3 2 1

F

E

D

C

B

A

F

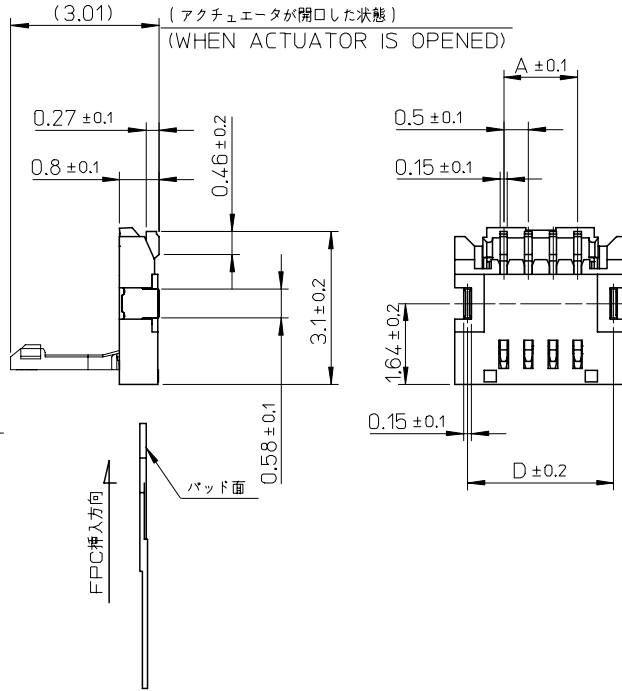
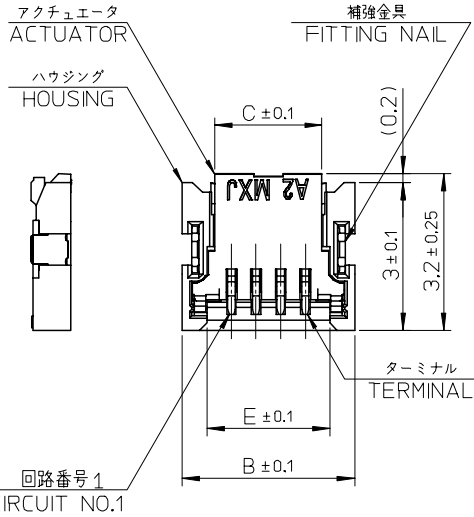
E

D

C

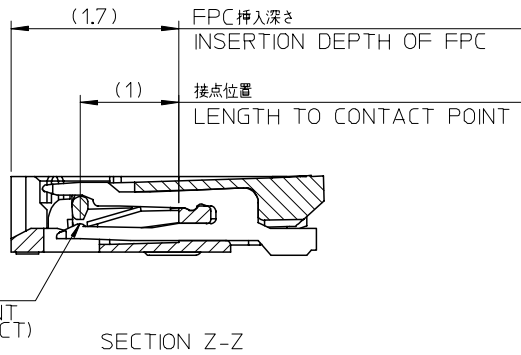
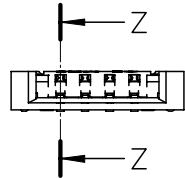
B

A



注記
NOTES:

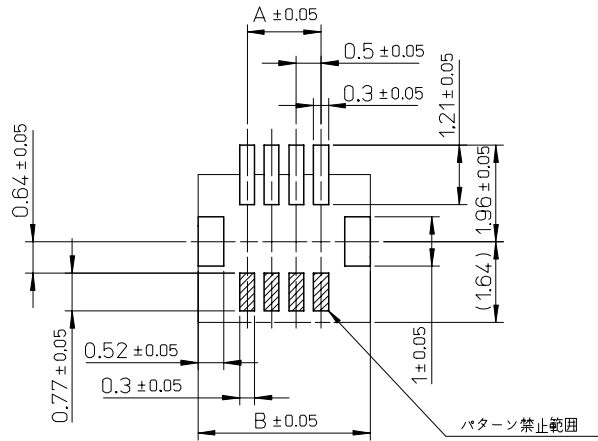
- 材質 MATERIAL
ハウジング: 耐熱性樹脂、ガラス充填、UL94V-0
HOUSING: HEAT RESISTANCE POLYMER, GLASS FILLED, UL94V-0
アクチュエータ: 耐熱性樹脂、ガラス充填、UL94V-0
ACTUATOR: HEAT RESISTANCE POLYMER, GLASS FILLED, UL94V-0
ターミナル: 銅合金 (t=0.15)
TERMINAL: COPPER ALLOY (t=0.15)
補強金具: 銅合金 (t=0.15)
NAIL: COPPER ALLOY (t=0.15)
- めっき仕様 PLATING
ターミナル: 部分金メッキ
接点部 0.1マイクロメートル以上
半田付け部 0.05マイクロメートル以上
TERMINAL: SEPARATED GOLD PLATING
CONTACT AREA 0.1 MICROMETER MINIMUM.
SOLDER TAIL AREA 0.05 MICROMETER MINIMUM.
下地 ニッケルメッキ 1.0マイクロメートル以上
UNDER PLATING; NICKEL PLATING 1.0 MICROMETER MINIMUM.
補強金具: 錫メッキ 1.0マイクロメートル以上
NAIL: TIN PLATING 1.0 MICROMETER MINIMUM.
下地 ニッケルメッキ 1.0マイクロメートル以上
UNDER PLATING; NICKEL PLATING 1.0 MICROMETER MINIMUM.
- 平坦度は、0.1mm以下とする。
TAILS AND NAILS COPLANARITY TO BE 0.1mm MAXIMUM.
- ELV AND RoHS COMPLIANT.



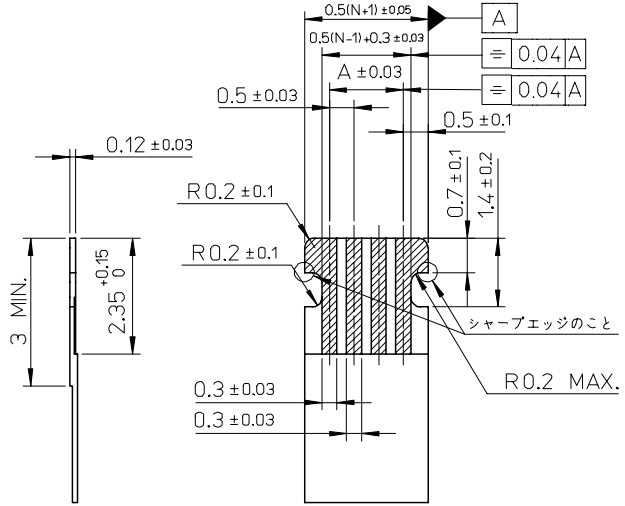
4.5	4.97	4.18	5.5	3.5	501461-0802	501461-0808	8
E	D	C	B	A	エンボス梱包 EMBOSSED PACKAGING	製品番号 MATERIAL NO.	極数(N) CIRCUITS(N)

RELEASED EC NO: J2008-0606 DRWN: AOYAGI 2007/09/06 CHKD: HARUYAMA 2007/09/10 APPR: NUKITA 2007/09/10	GENERAL TOLERANCES (UNLESS SPECIFIED)		DIMENSION STYLE MM ONLY		SCALE 10:1	DESIGN UNITS METRIC	THIRD ANGLE PROJECTION
	10 UNDER	± 0.2	DRAWN BY Y. AOYAGI		TITLE 0.5 FPC CONN BACK FLIP HGT=0.8 HSG ASSY		
	10 OVER 30 UNDER	± 0.25	CHECKED BY T. HARUYAMA		APPROVED BY N. UKITA		
	30 OVER	± 0.3	APPROVED BY N. UKITA		MATERIAL NO. SD-501461-003		
0	ANGULAR	± 1	DRAFT WHERE APPLICABLE MUST REMAIN WITHIN DIMENSIONS		SEE TABLE		DOCUMENT NO. SD-501461-003
				SIZE A3	THIS DRAWING CONTAINS INFORMATION THAT IS PROPRIETARY TO MOLEX INCORPORATED AND SHOULD NOT BE USED WITHOUT WRITTEN PERMISSION		

A



推奨基板寸法
RECOMMENDED P.C.BOARD PATTERN LAYOUT

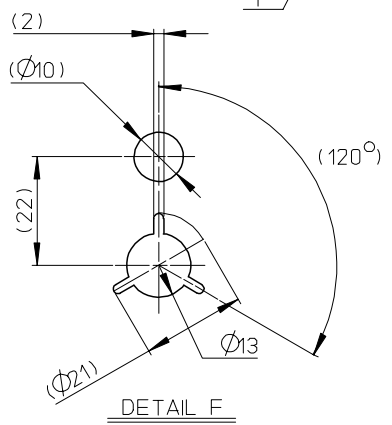
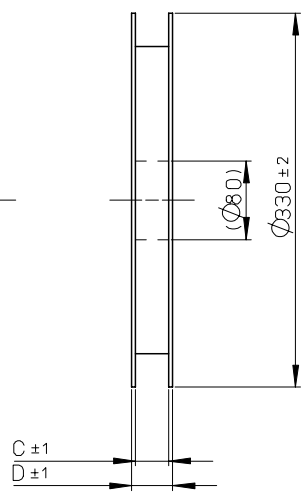
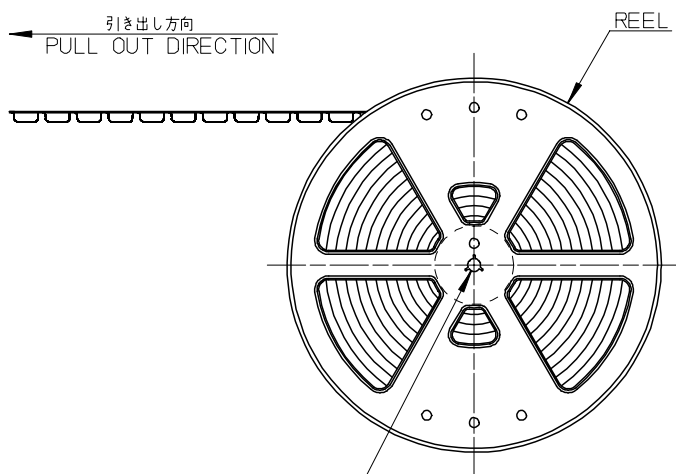


推奨FPC寸法
RECOMMENDED FPC PATTERN LAYOUT

FPCについて:
 抜き方向は、導体側から補強板側を推奨します。
 補強フィルム材質は、ポリイミドを推奨します。
 接着剤は、熱硬化接着剤を推奨します。
 尚、接着剤の接点部への付着は、導通不良の原因となりますので染み出しが無いよう、お願いします。

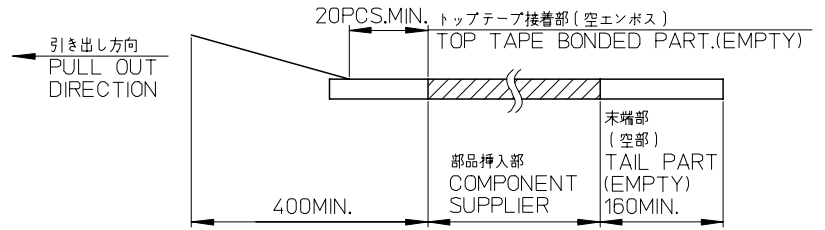
ABOUT FPC:
 RECOMMENDED PUNCHER DIRECTION:
 FROM CONDUCTOR SIDE TO STIFFNER FILME SIDE.
 RECOMMENDED MATERIAL:
 STIFFNER FILME: POLYIMIDE
 BONDING AGENT: THRMOSSETTING AGENT
 PLEASE PUT APPROPRIATE AMOUNT OF ASHESIVE MAY CAUSE THE DEFECT IN ELECTRICAL CONTINUITY.

RELEASED EC NO: J2008-0606 DRWN: AOYAGI CHKD: HARUYAMA APPR: NUKITA	2007/09/06 2007/09/10 2007/09/10	DESCRIPTION REV	GENERAL TOLERANCES (UNLESS SPECIFIED)		DIMENSION STYLE MM ONLY	SCALE 10:1	DESIGN UNITS METRIC	THIRD ANGLE PROJECTION		
			10 UNDER	± 0.2	DRAWN BY Y. AOYAGI	DATE 2007/09/05	TITLE 0.5 FPC CONN BACK FLIP HGT=0.8 HSG ASSY			
			10 OVER 30 UNDER	± 0.25	CHECKED BY T. HARUYAMA	DATE 2007/09/05				
			30 OVER	± 0.3	APPROVED BY N. UKITA	DATE 2007/09/05	MOLEX INCORPORATED			
			ANGULAR	± 1 °	MATERIAL NO.	DOCUMENT NO.				
0			DRAFT WHERE APPLICABLE MUST REMAIN WITHIN DIMENSIONS		SIZE A3	SEE SHEET 1 SD-501461-003		2 OF 2		



NOTES

- 製品詳細寸法については製品単体図面を参照下さい。
RE DETAILED DIMENSION, SEE PRODUCT DRAWING.
- 梱包数量: 3000個/リール
NUMBER OF CONNECTORS 3000PCS/REEL
- リードテープ長さ
LEAD TAPE LENGTH



- 材料
MATERIAL
キャリアテープ(CARRIRE TAPE): ポリスチレン (POLYSTYRENE)
トップテープ(TOP TAPE): PET, PE, PEF
リール(REEL): ポリスチレン (PS) <リサイクル材を含む>
POLYSTYRENE(PS) <RECYCLE MATERIAL CONTAIED>
- ELV及びRoHS適合品。
ELV AND RoHS COMPLIANT.

501461-**02 MODEL NO.

RELEASED EC NO: J2008-0606 DRWN: AOYAGI 2007/09/06 CHKD: HARUYAMA 2007/09/10 APPR: NUKITA 2007/09/10	GENERAL TOLERANCES (UNLESS SPECIFIED)		DIMENSION STYLE MM ONLY		SCALE ---	DESIGN UNITS METRIC	THIRD ANGLE PROJECTION
	10 UNDER	± 0.2	DRAWN BY Y. AOYAGI	DATE 2007/09/05	TITLE 0.5 FPC CONN BACK FLIP H=0.8 EMBSTP PKG		
	10 OVER 30 UNDER	± 0.25	CHECKED BY T. HARUYAMA	DATE 2007/09/05	MOLEX INCORPORATED		
	30 OVER	± 0.3	APPROVED BY N. UKITA	DATE 2007/09/05	MATERIAL NO.	DOCUMENT NO. SD-501461-004	SHEET NO. 1 OF 2
0	DESCRIPTION	ANGULAR	± 1	SEE SHEET 2			
DRAFT WHERE APPLICABLE MUST REMAIN WITHIN DIMENSIONS		THIS DRAWING CONTAINS INFORMATION THAT IS PROPRIETARY TO MOLEX INCORPORATED AND SHOULD NOT BE USED WITHOUT WRITTEN PERMISSION					

10 9 8 7 6 5 4 3 2 1

F

E

D

C

B

A

F

E

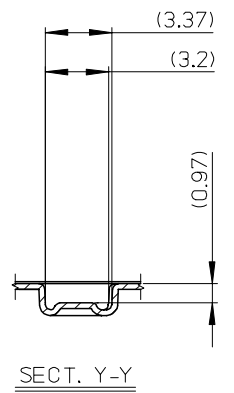
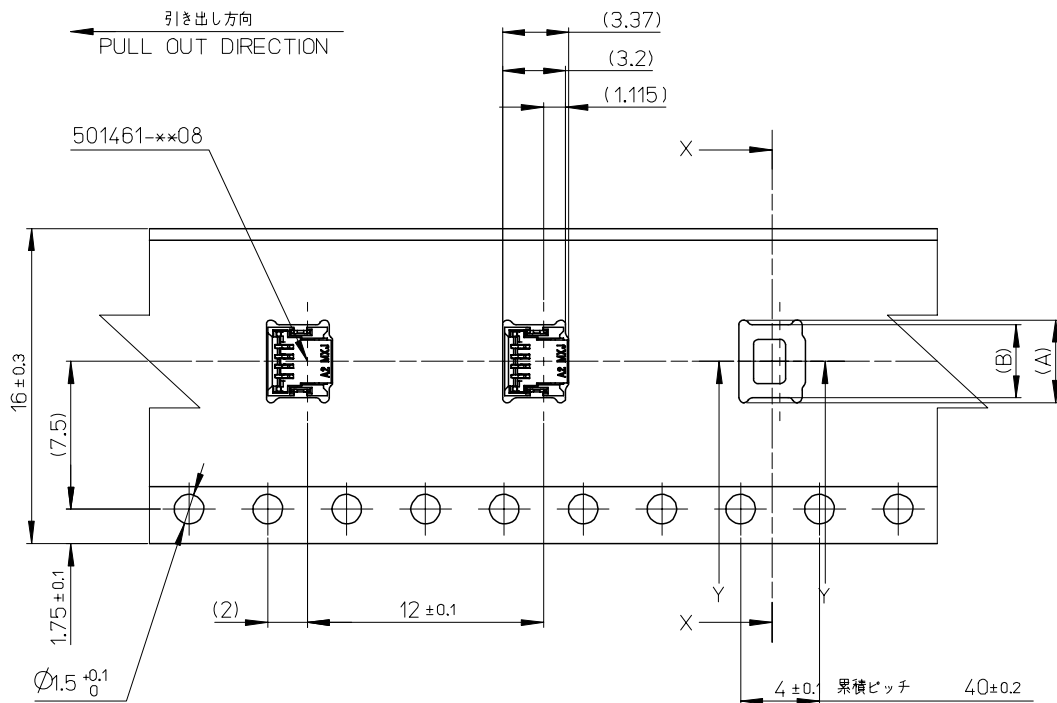
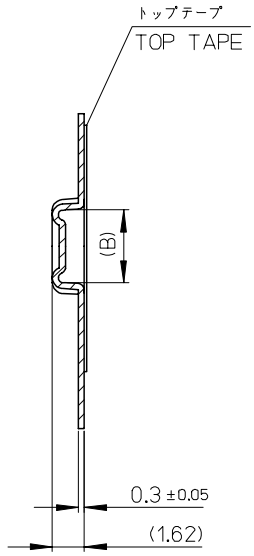
D

C

B

A

引き出し方向
PULL OUT DIRECTION



SECT. X-X

16mm幅キャリアテープ
16mm WIDTH CARRIER TAPE

16	21.4	17.4	5.7	6.2	501461-0802	8
キャリアテープ幅 CARRIER TAPE WIDTH	D	C	(B)	(A)	MATERIAL NO.	極数 CIRCUITS

RELEASED EC NO: J2008-0606 DRWN: AOYAGI 2007/09/06 CHKD: HARUYAMA 2007/09/10 APPR: NUKITA 2007/09/10	GENERAL TOLERANCES (UNLESS SPECIFIED)		DIMENSION STYLE MM ONLY		SCALE ---	DESIGN UNITS METRIC	THIRD ANGLE PROJECTION
	10 UNDER	± 0.2	DRAWN BY Y. AOYAGI	DATE 2007/09/05	TITLE 0.5 FPC CONN BACK FLIP H=0.8 EMBSTP PKG		
	10 OVER 30 UNDER	± 0.25	CHECKED BY T. HARUYAMA	DATE 2007/09/05	MATERIAL NO. 501461-**02		
	30 OVER	± 0.3	APPROVED BY N. UKITA	DATE 2007/09/05	MODEL NO. 8		
0	ANGULAR	± 1	SEE TABLE		MOLEX INCORPORATED		SHEET NO. 2 OF 2
DRAFT WHERE APPLICABLE MUST REMAIN WITHIN DIMENSIONS		DOCUMENT NO. SD-501461-004		THIS DRAWING CONTAINS INFORMATION THAT IS PROPRIETARY TO MOLEX INCORPORATED AND SHOULD NOT BE USED WITHOUT WRITTEN PERMISSION			