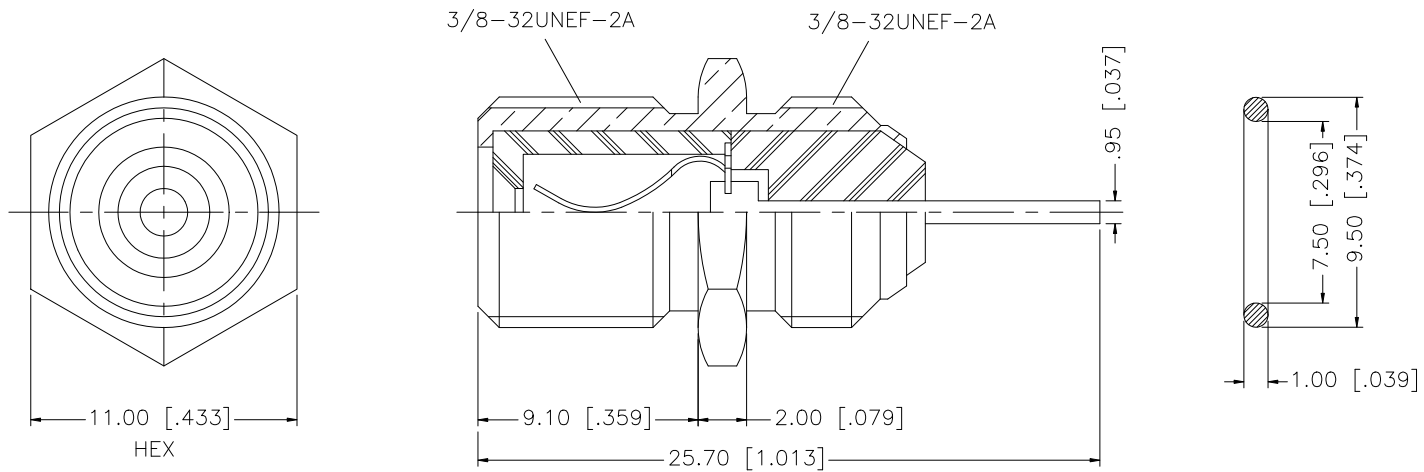
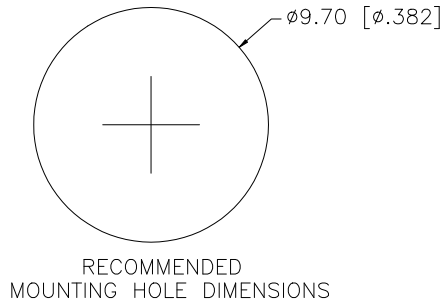


REV.	DATE	DESCRIPTION
A	01/25/99	ADD MOUNTING HOLE DIMENSION
B	06/14/07	UPDATE DRAWING FORMAT



8				
7				
6				
5	GASKET	N.B.R.	BLACK	1
4	INSULATOR	DELTRIN	NATURAL	1
3	CONTACT PIN	BRASS	BRIGHT TIN	1
2	INSULATOR	P.P	NATURAL	1
1	BODY	BRASS	NICKEL	1
	DESCRIPTION	MATERIAL	FINISH	QTY

UNLESS OTHERWISE SPECIFIED DIMENSIONS ARE IN MILLIMETERS. DIMENSIONS IN [] ARE IN INCHES AND FOR CUSTOMER REFERENCE ONLY.

UNLESS OTHERWISE SPECIFIED TOLERANCES FOR MILLIMETERS ARE:
0.5 - 8mm ± 0.20mm
8 - 30mm ± 0.40mm
30 - 120mm ± 0.50mm

UNLESS OTHERWISE SPECIFIED TOLERANCES FOR INCHES ARE:
.020 - .315 = ± 0.007"
.315 - 1.180 = ± 0.015"
1.180 - 4.724 = ± 0.020"

DO NOT SCALE DRAWING

APPROVALS		DATE
DRAWN	G.R.S.	06/14/07
CHECKED		
ISSUED		
SHEET	1 OF 1	
CAD FILE		C:/222/222144.DWG

Amphenol Connex

PART DESCRIPTION

F STRAIGHT RECEPTACLE - EXTENDED CONTACT

PART NO.

222144

DWG. NO.

222144.DWG

REV. B

SIZE A

SCALE NA