

TPS62242-Q1 2.25-MHz 300-mA Buck Converter in DDC (SOT) Package

1 Features

- Qualified for Automotive Applications
- AEC-Q100 Qualified With the Following Results:
 - Device Temperature Grade 2
 - Device HBM ESD Classification Level H2
 - Device CDM ESD Classification Level C4B
- High Efficiency – Up to 94%
- Output Current Up to 300 mA
- V_{IN} Range From 2 V to 6 V
- 2.25-MHz Fixed-Frequency Operation
- Power-Save Mode at Light Load Currents
- Output Voltage Accuracy in PWM Mode $\pm 1.5\%$
- 1.2-V Fixed Output Voltage
- 15- μ A Typical Quiescent Current
- 100% Duty Cycle for Lowest Dropout
- Available in a SOT (5) 2.90-mm \times 1.60-mm Package
- Allows < 1-mm Solution Height

2 Applications

- Automotive Applications
- Automotive Body Electronics
 - Body Control Module and Gateway
- Advanced Driver Assistance Systems (ADAS)
 - Front Camera, Surround View, and Park Assist
- Infotainment and Clusters

3 Description

The TPS62242-Q1 device is a highly efficient buck converter optimized for battery-powered portable applications. The device provides up to 300-mA output current from a single Li-Ion cell and is ideal for battery-powered portable applications, automotive applications, and other equipment like Advanced Driver Assistance Systems (ADAS).

With an input voltage range of 2 V to 6 V, the device supports applications powered by Li-Ion batteries with extended voltage range, two- and three-cell alkaline.

The TPS62242-Q1 operates at 2.25-MHz fixed-switching frequency and enters the power-save mode of operation at light load currents to maintain high efficiency over the entire load current range.

The power-save mode is optimized for low output-voltage ripple. In shutdown mode, the current consumption is reduced to less than 1 μ A. With 2.25-MHz fixed frequency and a 1.2-V fixed output voltage, the TPS62242-Q1 device allows the use of small inductors and capacitors to achieve a small solution size.

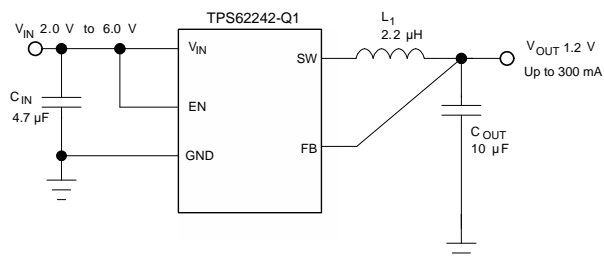
The TPS62242-Q1 operates over a free-air temperature range of -40°C to 115°C . The device is available in a 5-pin SOT 2.90-mm \times 1.60-mm package.

Device Information⁽¹⁾

PART NUMBER	PACKAGE	BODY SIZE (NOM)
TPS62242-Q1	SOT (5)	2.90 mm \times 1.60 mm

(1) For all available packages, see the orderable addendum at the end of the data sheet.

Typical Application Schematic



Copyright © 2016, Texas Instruments Incorporated

Efficiency vs Output Current

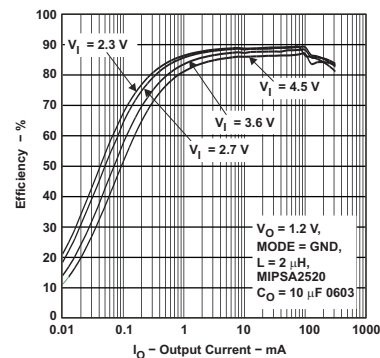


Table of Contents

1 Features	1	8.4 Device Functional Modes.....	10
2 Applications	1	9 Application and Implementation	12
3 Description	1	9.1 Application Information.....	12
4 Revision History	2	9.2 Typical Application	12
5 Pin Configuration and Functions	4	10 Power Supply Recommendations	16
6 Specifications	5	11 Layout	17
6.1 Absolute Maximum Ratings	5	11.1 Layout Guidelines	17
6.2 ESD Ratings.....	5	11.2 Layout Example	17
6.3 Recommended Operating Conditions.....	5	12 Device and Documentation Support	18
6.4 Thermal Information	5	12.1 Third-Party Products Disclaimer	18
6.5 Electrical Characteristics.....	6	12.2 Receiving Notification of Documentation Updates	18
6.6 Typical Characteristics	7	12.3 Community Resources.....	18
7 Parameter Measurement Information	8	12.4 Trademarks	18
8 Detailed Description	8	12.5 Electrostatic Discharge Caution.....	18
8.1 Overview	8	12.6 Glossary	18
8.2 Functional Block Diagram	9	13 Mechanical, Packaging, and Orderable Information	18
8.3 Feature Description.....	9		

4 Revision History

NOTE: Page numbers for previous revisions may differ from page numbers in the current version.

Changes from Revision B (March 2013) to Revision C

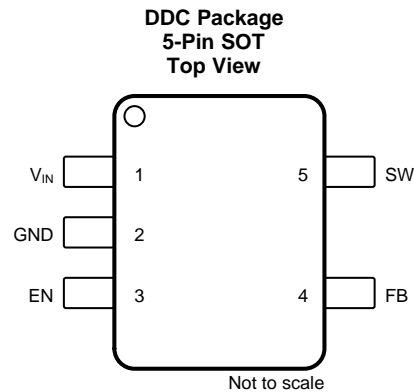
Page

• Added ESD Ratings table, Thermal Information table, Feature Description section, Device Functional Modes, Application and Implementation section, Power Supply Recommendations section, Layout section, Device and Documentation Support section, and Mechanical, Packaging, and Orderable Information section.....	1
• Deleted Ordering Information table; see POA at the end of the data sheet.....	1
• Changed document title and description from "Step-Down" to "Buck Converter"	1
• Changed from "Greater Than" to "Up to"	1
• Changed Features and Applications bullets editorially	1
• Changed description to automotive applications	1
• Deleted duplicated information	1
• Added 2.25-MHz fixed frequency and a 1.2-V fixed output voltage	1
• Added PWM mode description.....	1
• Added Free-air temperature range and reworded device package description.	1
• Changed figure for $V_O = 1.2$ V curves	1
• Updated pinout image to new format	4
• Deleted table note 3 about human body model and machine model.....	5
• Deleted table row for adjustable voltage	5
• Added table rows for inductance and output capacitance.....	5
• Added PWM Mode	6
• Deleted Dissipation Ratings section	6
• Deleted in fixed output voltage versions from table note	6
• Moved Figures 2, 6 through 9, and 11 through 13 to Application Curves.....	7
• Changed Figures 6 through 9 and 11 through 13 for 1.2 V	7
• Deleted Figures 1, 3 through 5, 10, 14, and 15	7
• Deleted Mode transition row from table and corresponding figures 14 and 15.....	7
• Moved Soft Start, Power Save Mode, and Short-Circuit Protection sections to Device Functional Modes section	10

Changes from Revision A (March 2012) to Revision B
Page

• Changed C3B to C4B in <i>Features</i>	1
• Changed bullet point in <i>Features</i> list from "Adjustable Output Voltage from 0.6 V to V_{in} " to "1.2 V Fixed Output Voltage" ..	1
• Added Output column for fixed voltage to Ordering Information table.	1
• Changed C3B to C4B.....	5
• Changed " $T_a = 115^{\circ}\text{C}$ " to " $T_a = -40^{\circ}\text{C}$ to 115°C " in all instances in the electrical characteristics table.....	6
• Added " $T_a = 25^{\circ}\text{C}$ " to following parameters listed in the electrical characteristics table: "Shutdown current," "Low level input voltage," "Feedback voltage," and "Leakage current into SW pin".....	6
• Added $2\text{ V} \leq V_{IN} \leq 6\text{ V}$ to V_{IL} test conditions.....	6
• Added $V_{IN} = V_{GS} = 3.6\text{ V}$ to I_{LIMF} test conditions.	6
• Changed min and typ values for V_{REF} from 0.594 to 594 and 0.606 to 606, respectively.	6
• Added PWM operation, $2\text{ V} \leq V_{IN} \leq 6\text{ V}$, in fixed output voltage versions $V_{FB} = V_{OUT}$, See (2) to the V_{FB} test conditions.....	6
• Added $V_{IN} = 3.6\text{ V}$, $V_{IN} = V_{OUT} = V_{SW}$, $EN = \text{GND}$, (3), to the I_{IKG} test conditions.....	6
• Changed the junction temperature in the thermal shutdown detail from "TBD" to " 150°C ".....	9
• Added missing parentheses to equation.	11

5 Pin Configuration and Functions



Pin Functions

PIN		I/O	DESCRIPTION
NAME	NO.		
EN	3	I	This is the enable pin of the device. Pulling this pin to low forces the device into shutdown mode. Pulling this pin to high enables the device. This pin must be terminated.
FB	4	I	Feedback Pin for the internal regulation loop. Connect the external resistor divider to this pin. In case of fixed output voltage option, connect this pin directly to the output capacitor.
GND	2	PWR	GND supply pin.
SW	5	O	This is the switch pin and is connected to the internal MOSFET switches. Connect the inductor to this terminal.
V _{IN}	1	PWR	V _{IN} power supply pin.

6 Specifications

6.1 Absolute Maximum Ratings

over operating free-air temperature range (unless otherwise noted)⁽¹⁾

		MIN	MAX	UNIT
V _I	Input voltage ⁽²⁾	-0.3	7	V
	Voltage at EN	-0.3	V _{IN} + 0.3, ≤7	V
	Voltage on SW	-0.3	7	V
	Peak output current	Internally limited		A
T _J	Maximum operating junction temperature	-40	150	°C
T _{stg}	Storage temperature	-65	150	°C

- (1) Stresses beyond those listed under *Absolute Maximum Ratings* may cause permanent damage to the device. These are stress ratings only, which do not imply functional operation of the device at these or any other conditions beyond those indicated under *Recommended Operating Conditions*. Exposure to absolute-maximum-rated conditions for extended periods may affect device reliability.
- (2) All voltage values are with respect to network ground terminal.

6.2 ESD Ratings

		VALUE	UNIT
V _(ESD)	Electrostatic discharge	Human-body model (HBM), per AEC Q100-002 ⁽¹⁾	±2000
		Charged-device model (CDM), per AEC Q100-011	±750
			V

- (1) AEC Q100-002 indicates that HBM stressing shall be in accordance with the ANSI/ESDA/JEDEC JS-001 specification.

6.3 Recommended Operating Conditions

over operating free-air temperature range (unless otherwise noted)

		MIN	MAX	UNIT
V _I	Supply voltage, V _{IN}	2	6	V
L	Inductance	1.5	4.7	μH
C _{OUT}	Output capacitance	4.7	10	μF
T _A	Operating ambient temperature	-40	115	°C
T _J	Operating junction temperature	-40	125	°C

6.4 Thermal Information

THERMAL METRIC ⁽¹⁾		TPS62242-Q1	UNIT
		DDC (SOT)	
		5 PINS	
R _{θJA}	Junction-to-ambient thermal resistance	193.7	°C/W
R _{θJC(top)}	Junction-to-case (top) thermal resistance	40.7	°C/W
R _{θJB}	Junction-to-board thermal resistance	35	°C/W
ψ _{JT}	Junction-to-top characterization parameter	0.9	°C/W
ψ _{JB}	Junction-to-board characterization parameter	34.7	°C/W
R _{θJC(bot)}	Junction-to-case (bottom) thermal resistance	N/A	°C/W

- (1) For more information about traditional and new thermal metrics, see the [Semiconductor and IC Package Thermal Metrics](#) application report.

6.5 Electrical Characteristics

Over full operating ambient temperature range, typical values are at $T_A = 25^\circ\text{C}$. Unless otherwise noted, specifications apply for condition $V_{IN} = EN = 3.6\text{ V}$. External components $C_{IN} = 4.7\ \mu\text{F}$ 0603, $C_{OUT} = 10\ \mu\text{F}$ 0603, $L = 2.2\ \mu\text{H}$, refer to parameter measurement information.

PARAMETER		TEST CONDITIONS	MIN	TYP	MAX	UNIT
SUPPLY						
V_{IN}	Input voltage range		2		6	V
I_{OUT}	Output current	$2.3\text{ V} \leq V_{IN} \leq 6\text{ V}$			300	mA
		$2\text{ V} \leq V_{IN} \leq 2.3\text{ V}$			150	
I_Q	Operating quiescent current	$I_{OUT} = 0\text{ mA}$. Pulse frequency modulation (PFM) mode enabled, device not switching		15		μA
		$I_{OUT} = 0\text{ mA}$. PFM mode enabled, device switching, $V_{OUT} = 1.2\text{ V}$ ⁽¹⁾		18.5		
		$I_{OUT} = 0\text{ mA}$, switching with no load, PWM operation, $V_{OUT} = 1.2\text{ V}$, $V_{IN} = 3\text{ V}$		3.8		mA
I_{SD}	Shutdown current	$EN = \text{GND}$, $T_A = 25^\circ\text{C}$		0.1	1	μA
		$EN = \text{GND}$, $T_A = -40^\circ\text{C}$ to 115°C			5	μA
UVLO	Undervoltage lockout threshold	Falling		1.85		V
		Rising		1.95		
ENABLE, MODE						
V_{IH}	High-level input voltage, EN	$2\text{ V} \leq V_{IN} \leq 6\text{ V}$	1		V_{IN}	V
V_{IL}	Low-level input voltage, EN	$2\text{ V} \leq V_{IN} \leq 6\text{ V}$, $T_A = 25^\circ\text{C}$	0		0.4	V
		$2\text{ V} \leq V_{IN} \leq 6\text{ V}$, $T_A = -40^\circ\text{C}$ to 115°C			0.35	V
I_{IN}	Input bias current, EN	$EN, \text{MODE} = \text{GND}$ or V_{IN}		0.01	1	μA
POWER SWITCH						
$R_{DS(on)}$	High-side MOSFET ON-resistance	$V_{IN} = V_{GS} = 3.6\text{ V}$, $T_A = 25^\circ\text{C}$		240	480	m Ω
	Low-side MOSFET ON-resistance			180	380	
I_{LIMF}	Forward current limit MOSFET high-side and low-side	$V_{IN} = V_{GS} = 3.6\text{ V}$, $T_A = 25^\circ\text{C}$	0.56	0.7	0.84	A
		$V_{IN} = V_{GS} = 3.6\text{ V}$, $T_A = -40^\circ\text{C}$ to 115°C	0.54		0.95	
TSD	Thermal shutdown	Increasing junction temperature	135	150	165	$^\circ\text{C}$
	Thermal shutdown hysteresis	Decreasing junction temperature	12	14	16	$^\circ\text{C}$
OSCILLATOR						
f_{SW}	Oscillator frequency	$2\text{ V} \leq V_{IN} \leq 6\text{ V}$	2	2.25	2.5	MHz
OUTPUT						
V_{OUT}	Output voltage			1.2		V
V_{REF}	Reference voltage	$T_A = 25^\circ\text{C}$	594	600	606	mV
V_{FB}	Feedback voltage	PWM operation, $2\text{ V} \leq V_{IN} \leq 6\text{ V}$, in fixed output voltage versions $V_{FB} = V_{OUT}$, See ⁽²⁾ , $T_A = 25^\circ\text{C}$	-1.5%	0%	1.5%	
		PWM operation, $2\text{ V} \leq V_{IN} \leq 6\text{ V}$, in fixed output voltage versions $V_{FB} = V_{OUT}$, See ⁽²⁾ , $T_A = -40^\circ\text{C}$ to 115°C	-1.5%		2.5%	
	Feedback voltage PFM mode	Device in PFM mode			0%	
	Load regulation	PWM mode			-0.5	
$t_{Start\ up}$	Start-up time	Time from active EN to reach 95% of V_{OUT} nominal		500		μs
t_{Ramp}	V_{OUT} ramp UP time	Time to ramp from 5% to 95% of V_{OUT}		250		μs
I_{lkg}	Leakage current into SW pin	$V_{IN} = 3.6\text{ V}$, $V_{IN} = V_{OUT} = V_{SW}$, $EN = \text{GND}$, ⁽³⁾ , $T_A = 25^\circ\text{C}$		0.1	1	μA
		$V_{IN} = 3.6\text{ V}$, $V_{IN} = V_{OUT} = V_{SW}$, $EN = \text{GND}$, ⁽³⁾ , $T_A = -40^\circ\text{C}$ to 115°C			10	

(1) See the parameter measurement information.

(2) For $V_{IN} = V_O + 0.6$

(3) The internal resistor divider network is disconnected from FB pin.

6.6 Typical Characteristics

Table 1. Table of Graphs

		FIGURE
Shutdown Current into VIN	vs Input Voltage, ($T_A = 85^\circ\text{C}$, $T_A = 25^\circ\text{C}$, $T_A = -40^\circ\text{C}$)	Figure 1
Quiescent Current	vs Input Voltage, ($T_A = 85^\circ\text{C}$, $T_A = 25^\circ\text{C}$, $T_A = -40^\circ\text{C}$)	Figure 2
Static Drain-Source On-State Resistance	vs Input Voltage, ($T_A = 85^\circ\text{C}$, $T_A = 25^\circ\text{C}$, $T_A = -40^\circ\text{C}$)	Figure 3
		Figure 4

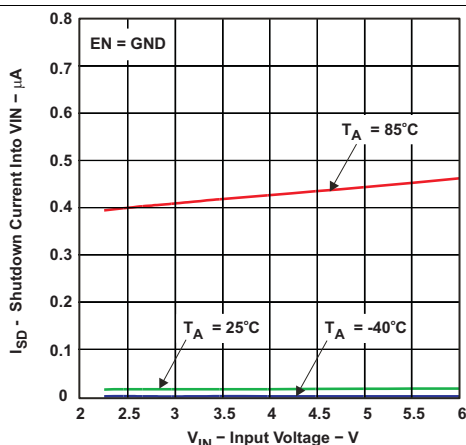


Figure 1. Shutdown Current into VIN vs Input Voltage

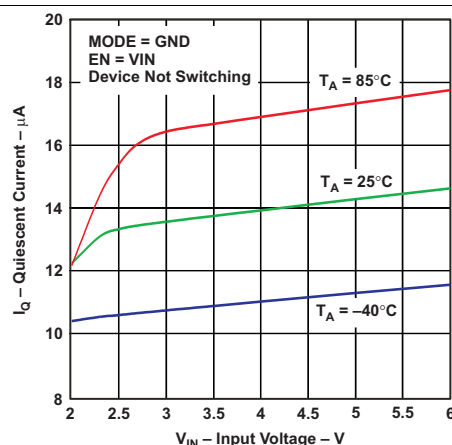


Figure 2. Quiescent Current vs Input Voltage

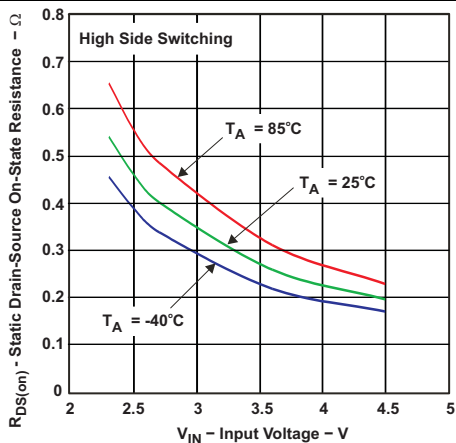


Figure 3. Static Drain-Source On-State Resistance vs Input Voltage

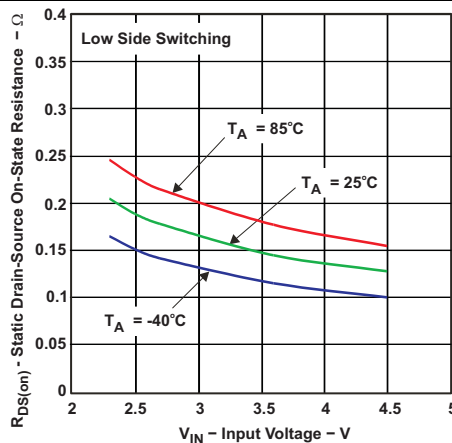
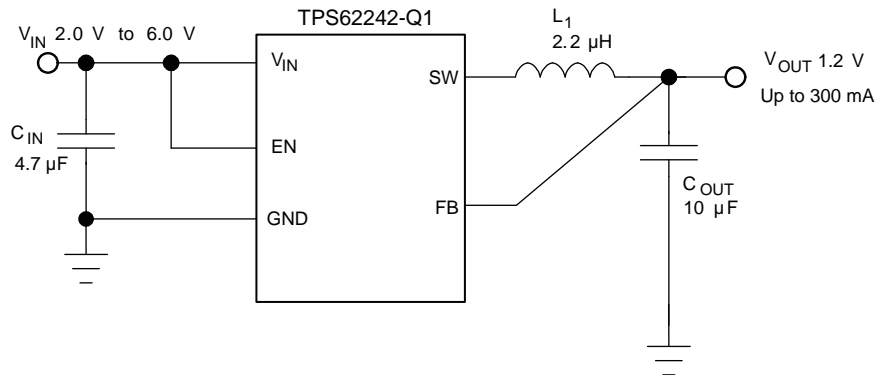


Figure 4. Static Drain-Source On-State Resistance vs Input Voltage

7 Parameter Measurement Information



Copyright © 2016, Texas Instruments Incorporated

Figure 5. Typical Application Parameters

8 Detailed Description

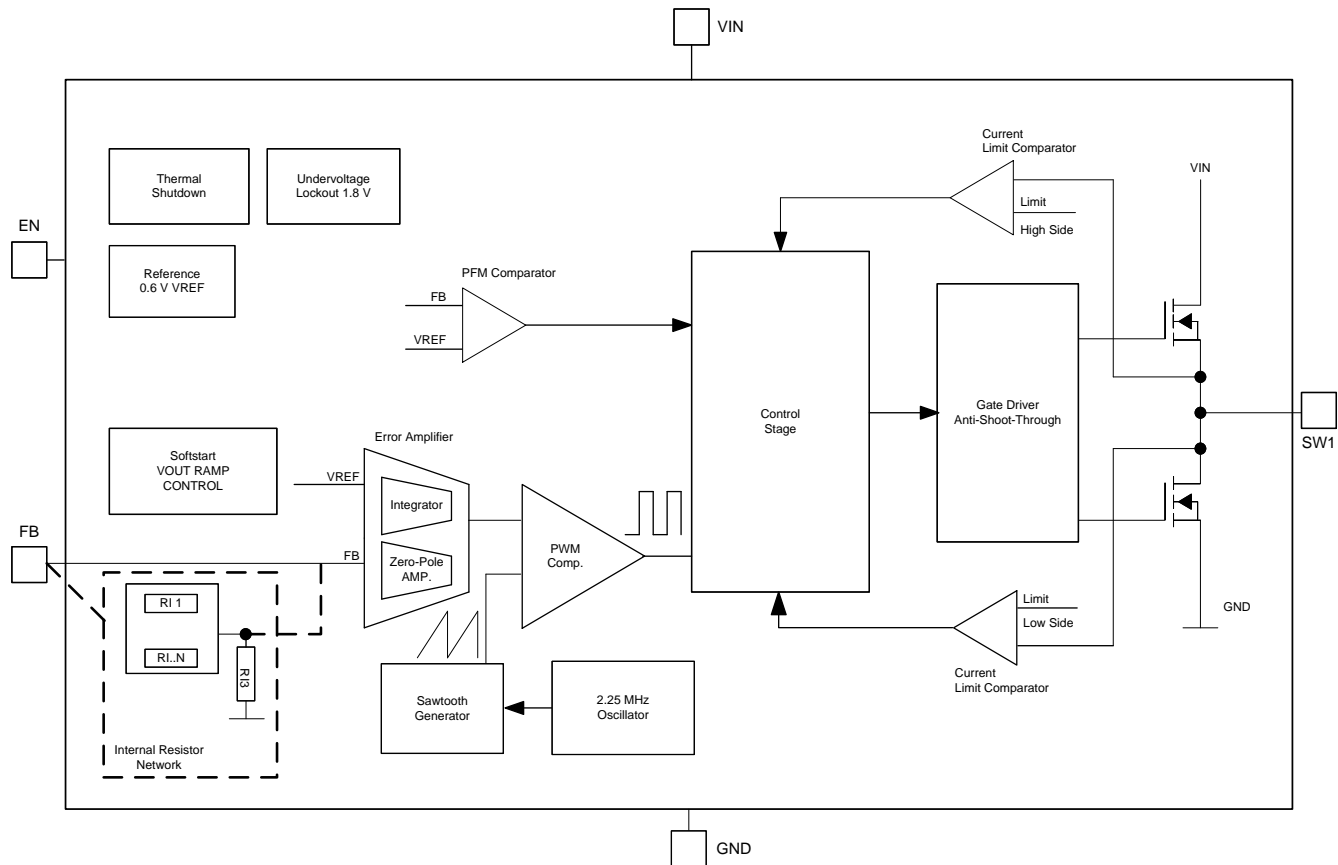
8.1 Overview

The TPS62242-Q1 step-down converter typically operates with 2.25-MHz fixed-frequency pulse width modulation (PWM) at moderate to heavy load currents. At light load currents, the converter can automatically enter power save mode and then operates in PFM mode.

During PWM operation, the converter uses a unique fast-response voltage-mode control scheme with input voltage feed-forward to achieve good line and load regulation, allowing the use of small ceramic input and output capacitors. At the beginning of each clock cycle initiated by the clock signal, the high-side MOSFET switch is turned on. The current then flows from the input capacitor through the high-side MOSFET switch through the inductor to the output capacitor and load. During this phase, the current ramps up until the PWM comparator trips and the control logic turns off the switch. The current limit comparator also turns off the switch if the current limit of the high-side MOSFET switch is exceeded. After a dead time preventing shoot-through current, the low-side MOSFET rectifier is turned on and the inductor current ramps down. The current then flows from the inductor to the output capacitor and to the load. It returns back to the inductor through the low-side MOSFET rectifier.

The next cycle is initiated by the clock signal again turning off the low-side MOSFET rectifier and turning on the high-side MOSFET switch.

8.2 Functional Block Diagram



Copyright © 2016, Texas Instruments Incorporated

8.3 Feature Description

8.3.1 Undervoltage Lockout

The undervoltage lockout circuit prevents the device from malfunctioning at low input voltages and from excessive discharge of the battery and disables the output stage of the converter. The undervoltage lockout threshold is typically 1.85 V with falling V_{IN} .

8.3.2 Enable

The device is enabled by setting the EN pin to high. During the start-up time ($t_{start\ up}$), the internal circuits are settled and the soft-start circuit is activated. The EN input can be used to control power sequencing in a system with various DC-DC converters. The EN pin can be connected to the output of another converter, to drive the EN pin high and sequence supply rails. With EN pin = GND, the device enters shutdown mode in which all circuits are disabled. In fixed-output voltage versions, the internal resistor divider network is then disconnected from FB pin.

8.3.3 Thermal Shutdown

As soon as the junction temperature, T_J , exceeds 150°C (typical) the device goes into thermal shutdown. In this mode, the high-side and low-side MOSFETs are turned off. The device continues its operation when the junction temperature falls below the thermal shutdown hysteresis.

8.4 Device Functional Modes

8.4.1 Soft Start

The TPS62242-Q1 device has an internal soft-start circuit that controls the ramp up of the output voltage. The output voltage ramps up from 5% to 95% of its nominal value within typical 250 μ s. This limits the inrush current in the converter during ramp up and prevents possible input voltage drops when using a battery or high impedance power source. The soft-start circuit is enabled within the start-up time, $t_{\text{Start up}}$.

8.4.2 Power Save Mode

The power save mode is enabled. If the load current decreases, the converter enters power save mode operation automatically. During power save mode, the converter skips switching and operates with reduced frequency in PFM mode with a minimum-quiescent current to maintain high efficiency.

The transition from PWM mode to PFM mode occurs once the inductor current in the low-side MOSFET switch becomes zero, which indicates discontinuous conduction mode.

During the power save mode, a PFM comparator monitors the output voltage. As the output voltage falls below the PFM comparator threshold of V_{OUT} nominal, the device starts a PFM current pulse. The high-side MOSFET switch turns on, and the inductor current ramps up. After the on-time expires, the switch turns off and the low-side MOSFET switch turns on until the inductor current becomes zero.

The converter effectively delivers a current to the output capacitor and the load. If the load is below the delivered current, the output voltage rises. If the output voltage is equal to or greater than the PFM comparator threshold, the device stops switching and enters a sleep mode with typical 15- μ A current consumption.

If the output voltage is still below the PFM comparator threshold, a sequence of further PFM current pulses are generated until the PFM comparator threshold is reached. The converter starts switching again once the output voltage drops below the PFM comparator threshold.

With a fast single-threshold comparator, the output-voltage ripple during PFM mode operation can be kept to a minimum. The PFM pulse is time controlled, allowing the user to modify the charge transferred to the output capacitor by the value of the inductor. The resulting PFM output voltage ripple and PFM frequency both depend on the size of the output capacitor and the inductor value. Increasing output capacitor values and inductor values minimize the output ripple. The PFM frequency decreases with smaller inductor values and increases with larger values.

If the output current cannot be supported in PFM mode, the device exits PFM mode and enters PWM mode.

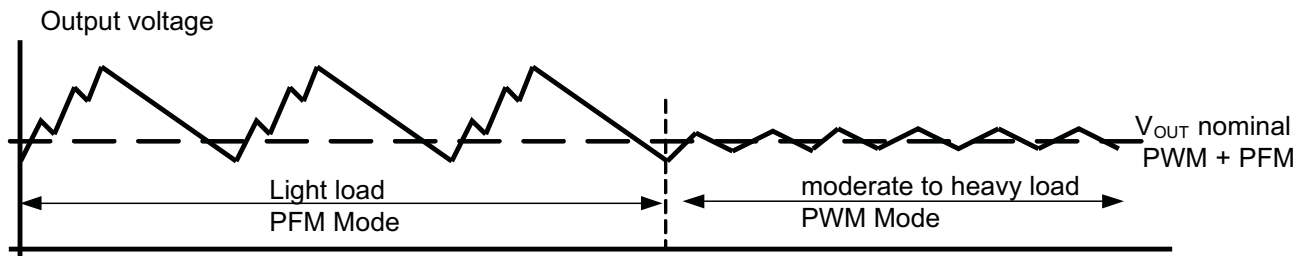


Figure 6. Power Save Mode

8.4.2.1 100% Duty Cycle Low Dropout Operation

The device starts to enter 100% duty-cycle mode once the input voltage comes close to the nominal output voltage. To maintain the output voltage, the high-side MOSFET switch is turned on 100% for one or more cycles.

With further decreasing V_{IN} the high-side MOSFET switch is turned on completely. In this case, the converter offers a low input-to-output voltage difference. This is particularly useful in battery-powered applications to achieve longest operation time by taking full advantage of the entire battery voltage range.

Device Functional Modes (continued)

The minimum input voltage to maintain regulation depends on the load current and output voltage, and can be calculated as:

$$V_{INmin} = V_{Omax} + I_{Omax} (R_{DS(on)max} + R_L)$$

where

- I_{Omax} = maximum output current plus inductor ripple current
- $R_{DS(on)max}$ = maximum P-channel switch $R_{DS(on)}$
- R_L = DC resistance of the inductor
- V_{Omax} = nominal output voltage plus maximum output voltage tolerance (1)

8.4.3 Short-Circuit Protection

The high-side and low-side MOSFET switches are short-circuit protected with maximum switch current equal to I_{LIMF} . The current in the switches is monitored by current limit comparators. Once the current in the high-side MOSFET switch exceeds the threshold of its current limit comparator, it turns off and the low-side MOSFET switch is activated to ramp down the current in the inductor and high-side MOSFET switch. The high-side MOSFET switch can only turn on again once the current in the low-side MOSFET switch has decreased below the threshold of its current limit comparator.

9 Application and Implementation

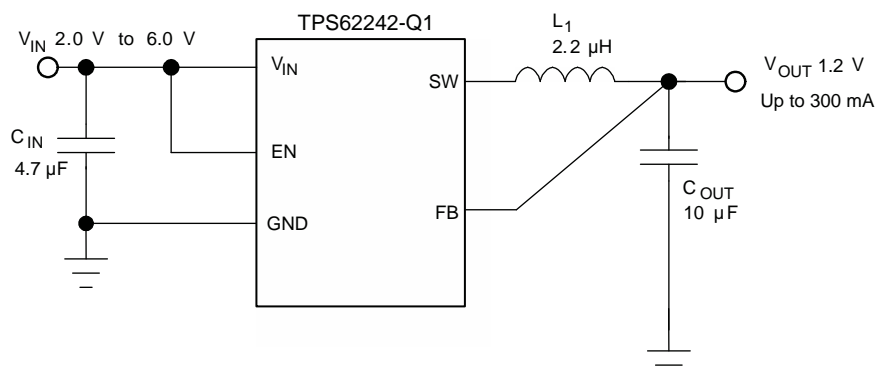
NOTE

Information in the following applications sections is not part of the TI component specification, and TI does not warrant its accuracy or completeness. TI's customers are responsible for determining suitability of components for their purposes. Customers should validate and test their design implementation to confirm system functionality.

9.1 Application Information

The TPS62242-Q1 device is a high-efficiency synchronous step-down DC-DC converter featuring power save mode.

9.2 Typical Application



Copyright © 2016, Texas Instruments Incorporated

Figure 7. Fixed 1.2 V

9.2.1 Design Requirements

The device operates over an input voltage range from 2 V to 6 V.

9.2.2 Detailed Design Procedure

Table 2 shows the list of components for the [Application Curves](#). Users must verify and validate these components for suitability with their application before using the components.

Table 2. List of Components

VALUE	COMPONENT REFERENCE	PART NUMBER	MANUFACTURER
4.7 μ F, 6.3 V. X5R Ceramic	C _{IN}	GRM188R60J475K	Murata
10 μ F, 6.3 V. X5R Ceramic	C _{OUT}	GRM188R60J106M	Murata
22 pF, COG Ceramic	C ₁		Murata
2.2 μ H, 110 m Ω	L ₁	LPS3015	Coilcraft

9.2.2.1 Output Filter Design (Inductor and Output Capacitor)

The TPS62242-Q1 device is designed to operate with inductors in the range of 1.5 μ H to 4.7 μ H and with output capacitors in the range of 4.7 μ F to 22 μ F. The device is optimized for operation with a 2.2- μ H inductor and 10- μ F output capacitor.

Larger or smaller inductor values can be used to optimize the performance of the device for specific operation conditions. For stable operation, the L and C values of the output filter may not fall below 1- μ H effective Inductance and 3.5- μ F effective capacitance. Selecting larger capacitors is less critical, because the corner frequency of the L-C filter moves to lower frequencies with fewer stability problems.

9.2.2.1.1 Inductor Selection

The inductor value has a direct effect on the ripple current. The selected inductor must be rated for its DC resistance and saturation current (Table 3). The inductor ripple current (ΔI_L) decreases with higher inductance and increases with higher V_I or V_O .

The inductor selection also has an impact on the output voltage ripple in the PFM mode. Higher inductor values lead to lower-output voltage ripple and higher PFM frequency, and lower inductor values lead to a higher-output voltage ripple with lower PFM frequency.

Equation 2 calculates the maximum inductor current in PWM mode under static load conditions. The saturation current of the inductor should be rated higher than the maximum inductor current as calculated with Equation 3. This is the recommendation because during heavy-load transients the inductor current rises above the calculated value.

$$\Delta I_L = V_{OUT} \times \frac{1 - \frac{V_{OUT}}{V_{IN}}}{L \times f} \quad (2)$$

$$I_{Lmax} = I_{OUTmax} + \frac{\Delta I_L}{2}$$

where

- f = Switching frequency (2.25-MHz typical)
- L = Inductor value
- ΔI_L = Peak-to-Peak inductor ripple current
- I_{Lmax} = Maximum inductor current (3)

A more conservative approach is to select the inductor current rating just for the maximum switch current limit I_{LIMF} of the converter.

Accepting larger values of ripple current allows the use of low inductance values, but results in higher output voltage ripple, greater core losses, and lower output current capability.

The total losses of the coil strongly impact the efficiency of the DC-DC conversion and consist of both the losses in the DC resistance (R_{DC}) and the following frequency-dependent components:

- The losses in the core material (magnetic hysteresis loss, especially at high switching frequencies)
- Additional losses in the conductor from the skin effect (current displacement at high frequencies)
- Magnetic field losses of the neighboring windings (proximity effect)
- Radiation losses

Table 3. List of Inductors

INDUCTANCE (μ H)	DIMENSIONS (mm)	PART NUMBER	MANUFACTURER
2	2.5 × 2 × 1	MIPS2520D2R2	FDK
2	2.5 × 2 × 1.2	MIPSA2520D2R2	FDK
2.2	2.5 × 2 × 1	KSLI-252010AG2R2	Hitachi Metals
2.2	2.5 × 2 × 1.2	LQM2HPN2R2MJ0L	Murata
2.2	3 × 3 × 1.4	LPS3015	Coilcraft

9.2.2.1.2 Output Capacitor Selection

The advanced fast-response voltage-mode control scheme of the TPS62242-Q1 device allows the use of tiny ceramic capacitors. Ceramic capacitors with low-ESR values have the lowest-output voltage ripple and are recommended. The output capacitor requires either an X7R or X5R dielectric. Y5V and Z5U dielectric capacitors, aside from their wide variation in capacitance over temperature, become resistive at high frequencies.

At nominal load current, the device operates in PWM mode and the RMS ripple current is calculated as in Equation 4:

$$I_{RMSCOUT} = V_{OUT} \times \frac{1 - \frac{V_{OUT}}{V_{IN}}}{L \times f} \times \frac{1}{2 \times \sqrt{3}} \quad (4)$$

At nominal load current, the device operates in PWM mode and the overall output voltage ripple is the sum of the voltage spike caused by the output capacitor ESR plus the voltage ripple caused by charging and discharging the output capacitor as in [Equation 5](#):

$$\Delta V_{OUT} = V_{OUT} \times \frac{1 - \frac{V_{OUT}}{V_{IN}}}{L \times f} \times \left(\frac{1}{8 \times C_{OUT} \times f} + ESR \right) \quad (5)$$

At light load currents, the converter operates in power save mode and the output voltage ripple depends on the output capacitor and inductor value. Larger output capacitor and inductor values minimize the voltage ripple in PFM mode and tighten DC output accuracy in PFM mode.

9.2.2.1.3 Input Capacitor Selection

The buck converter has a natural pulsating input current; therefore, a low-ESR input capacitor is required for best input voltage filtering and minimizing the interference with other circuits caused by high-input voltage spikes. For most applications, a 4.7- μ F to 10- μ F ceramic capacitor is recommended ([Table 4](#)). Because ceramic capacitors lose up to 80% of their initial capacitance at 5 V, TI recommends using a 10- μ F input capacitor for input voltages greater than 4.5 V. The input capacitor can be increased without any limit for better input voltage filtering.

Take care when using only small ceramic input capacitors. When a ceramic capacitor is used at the input, and the power is being supplied through long wires, such as from a wall adapter, a load step at the output, or V_{IN} step on the input, can induce ringing at the VIN pin. The ringing can couple to the output and be mistaken as loop instability, or could even damage the part by exceeding the maximum ratings.

Table 4. List of Capacitors

CAPACITANCE (μ F)	DIMENSIONS (mm)	PART NUMBER	MANUFACTURER
4.7	0603: 1.6 × 0.8 × 0.8	GRM188R60J475K	Murata
10	0603: 1.6 × 0.8 × 0.8	GRM188R60J106M69D	Murata

9.2.3 Application Curves

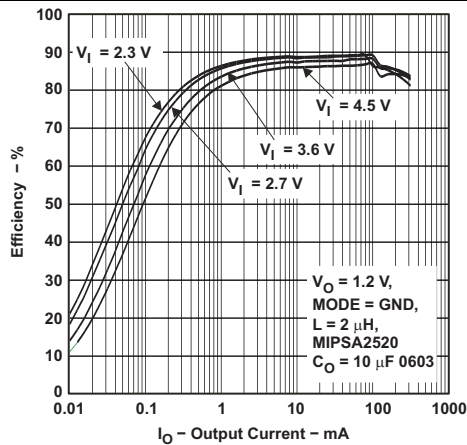


Figure 8. Efficiency vs Output Current

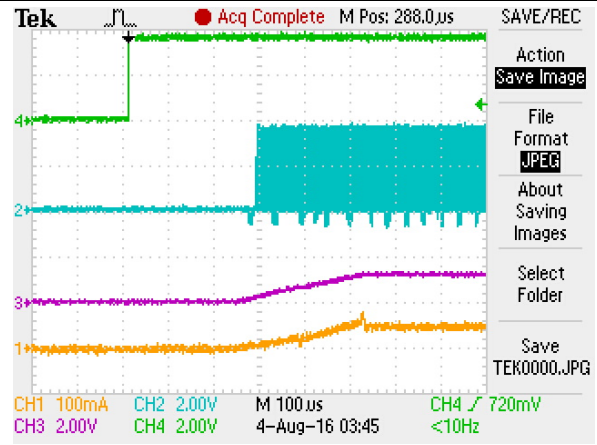


Figure 9. Start-Up Timing

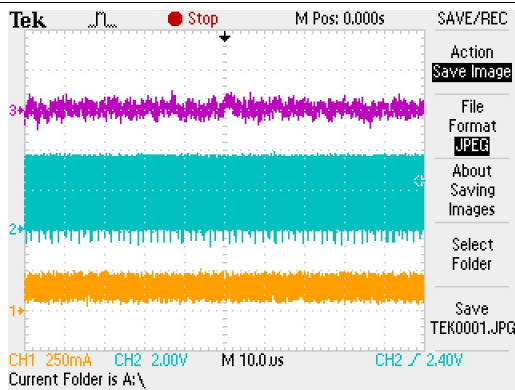


Figure 10. Typical Operation vs PWM Mode

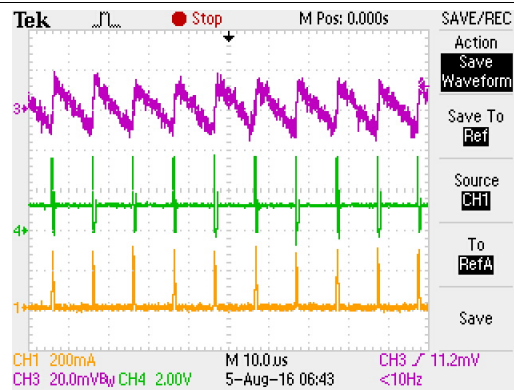


Figure 11. Typical Operation vs PFM Mode

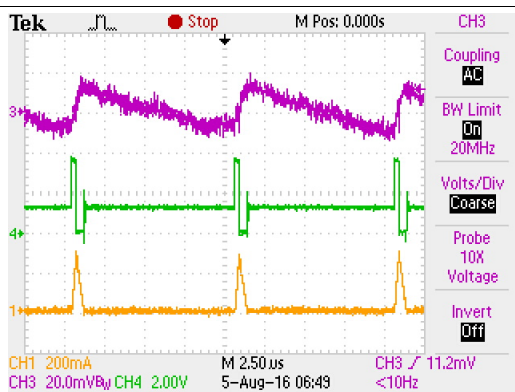
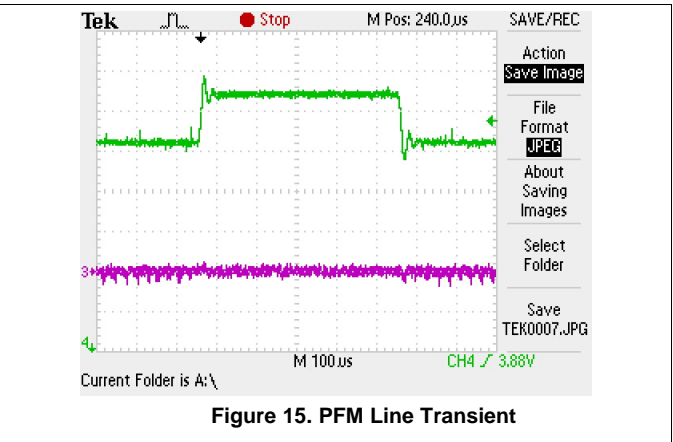
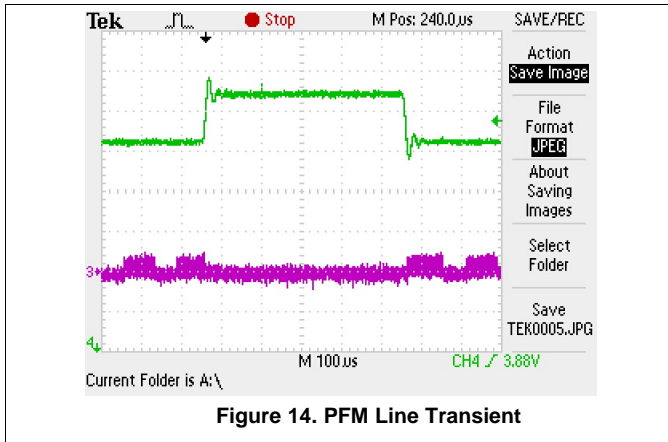


Figure 12. PFM Mode Ripple



Figure 13. PFM Load Transient



10 Power Supply Recommendations

The TPS62242-Q1 device has no special requirements for its input power supply. The input power supply output current must be rated according to the supply voltage, output voltage, and output current of the TPS62242-Q1.

11 Layout

11.1 Layout Guidelines

As for all switching power supplies, the layout is an important step in the design. Proper function of the device demands careful attention to PCB layout. To get the specified performance, the board layout must be carefully done. If not carefully done, the regulator could show poor line or load regulation, and additional stability issues as well as EMI problems. [Figure 16](#) shows an example of layout design with the TLV62242-Q1 device.

- Providing a low-inductance, low-impedance ground path is critical. Therefore, use wide and short traces for the main current paths. The input capacitor as well as the inductor and output capacitor must be placed as close as possible to the IC pins.
- The FB line must be connected directly to the output capacitor and the FB line must be routed away from noisy components and traces (for example, the SW line).
- Because of the small package of this converter and the overall small solution size, the thermal performance of the PCB layout is important. For good thermal performance, PCB design of at least four layers is recommended.

11.2 Layout Example

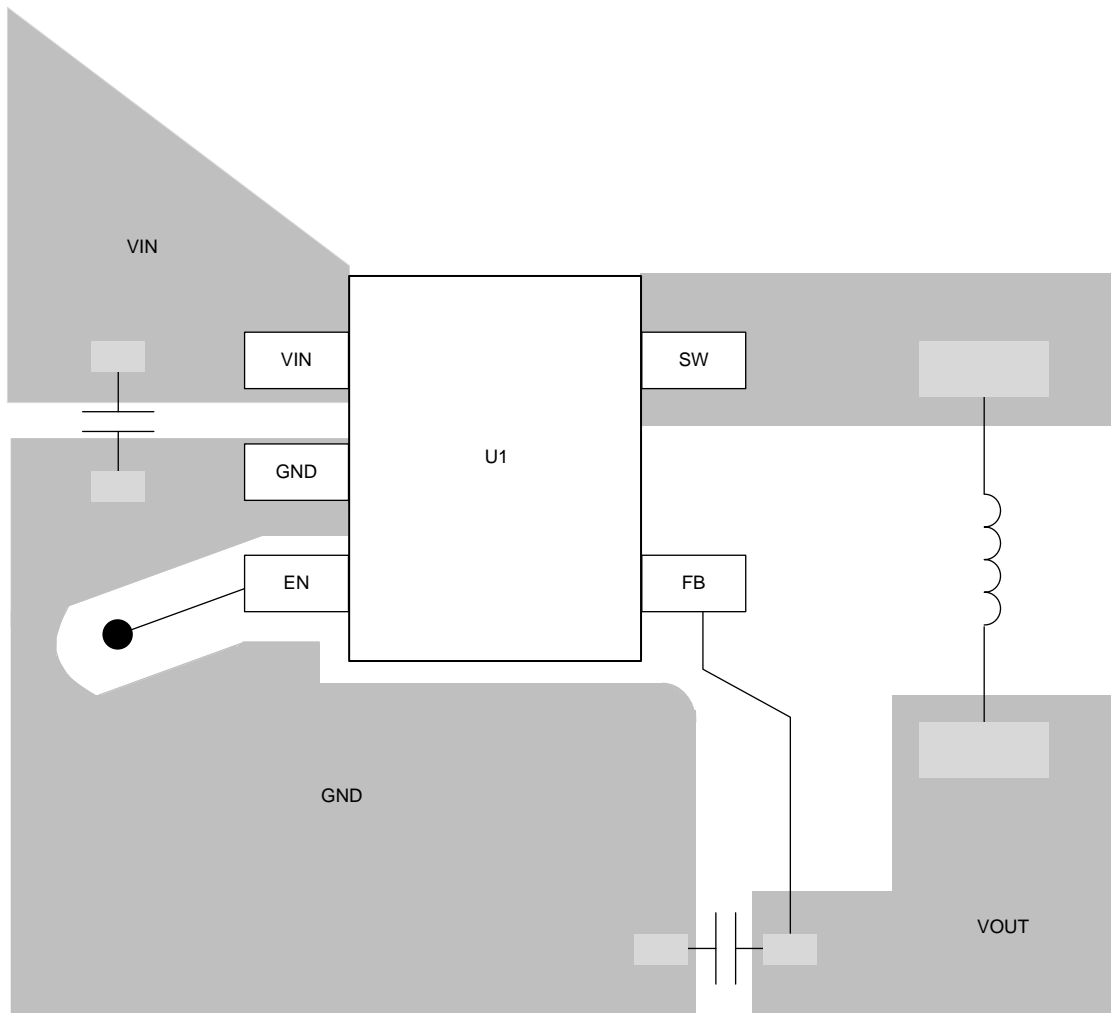


Figure 16. Suggested Layout for Fixed Output Voltage

12 Device and Documentation Support

12.1 Third-Party Products Disclaimer

TI'S PUBLICATION OF INFORMATION REGARDING THIRD-PARTY PRODUCTS OR SERVICES DOES NOT CONSTITUTE AN ENDORSEMENT REGARDING THE SUITABILITY OF SUCH PRODUCTS OR SERVICES OR A WARRANTY, REPRESENTATION OR ENDORSEMENT OF SUCH PRODUCTS OR SERVICES, EITHER ALONE OR IN COMBINATION WITH ANY TI PRODUCT OR SERVICE.

12.2 Receiving Notification of Documentation Updates

To receive notification of documentation updates, navigate to the device product folder on ti.com. In the upper right corner, click on *Alert me* to register and receive a weekly digest of any product information that has changed. For change details, review the revision history included in any revised document.

12.3 Community Resources

The following links connect to TI community resources. Linked contents are provided "AS IS" by the respective contributors. They do not constitute TI specifications and do not necessarily reflect TI's views; see TI's [Terms of Use](#).

TI E2E™ Online Community *TI's Engineer-to-Engineer (E2E) Community*. Created to foster collaboration among engineers. At e2e.ti.com, you can ask questions, share knowledge, explore ideas and help solve problems with fellow engineers.

Design Support *TI's Design Support* Quickly find helpful E2E forums along with design support tools and contact information for technical support.

12.4 Trademarks

E2E is a trademark of Texas Instruments.
All other trademarks are the property of their respective owners.

12.5 Electrostatic Discharge Caution



These devices have limited built-in ESD protection. The leads should be shorted together or the device placed in conductive foam during storage or handling to prevent electrostatic damage to the MOS gates.

12.6 Glossary

[SLYZ022](#) — *TI Glossary*.

This glossary lists and explains terms, acronyms, and definitions.

13 Mechanical, Packaging, and Orderable Information

The following pages include mechanical, packaging, and orderable information. This information is the most current data available for the designated devices. This data is subject to change without notice and revision of this document. For browser-based versions of this data sheet, refer to the left-hand navigation.

PACKAGING INFORMATION

Orderable Device	Status (1)	Package Type	Package Drawing	Pins	Package Qty	Eco Plan (2)	Lead finish/ Ball material (6)	MSL Peak Temp (3)	Op Temp (°C)	Device Marking (4/5)	Samples
TPS62242QDDCRQ1	ACTIVE	SOT-23-THIN	DDC	5	3000	RoHS & Green	NIPDAU	Level-1-260C-UNLIM	-40 to 115	SAW	Samples

(1) The marketing status values are defined as follows:

ACTIVE: Product device recommended for new designs.

LIFEBUY: TI has announced that the device will be discontinued, and a lifetime-buy period is in effect.

NRND: Not recommended for new designs. Device is in production to support existing customers, but TI does not recommend using this part in a new design.

PREVIEW: Device has been announced but is not in production. Samples may or may not be available.

OBSOLETE: TI has discontinued the production of the device.

(2) **RoHS:** TI defines "RoHS" to mean semiconductor products that are compliant with the current EU RoHS requirements for all 10 RoHS substances, including the requirement that RoHS substance do not exceed 0.1% by weight in homogeneous materials. Where designed to be soldered at high temperatures, "RoHS" products are suitable for use in specified lead-free processes. TI may reference these types of products as "Pb-Free".

RoHS Exempt: TI defines "RoHS Exempt" to mean products that contain lead but are compliant with EU RoHS pursuant to a specific EU RoHS exemption.

Green: TI defines "Green" to mean the content of Chlorine (Cl) and Bromine (Br) based flame retardants meet JS709B low halogen requirements of <=1000ppm threshold. Antimony trioxide based flame retardants must also meet the <=1000ppm threshold requirement.

(3) MSL, Peak Temp. - The Moisture Sensitivity Level rating according to the JEDEC industry standard classifications, and peak solder temperature.

(4) There may be additional marking, which relates to the logo, the lot trace code information, or the environmental category on the device.

(5) Multiple Device Markings will be inside parentheses. Only one Device Marking contained in parentheses and separated by a "-" will appear on a device. If a line is indented then it is a continuation of the previous line and the two combined represent the entire Device Marking for that device.

(6) Lead finish/Ball material - Orderable Devices may have multiple material finish options. Finish options are separated by a vertical ruled line. Lead finish/Ball material values may wrap to two lines if the finish value exceeds the maximum column width.

Important Information and Disclaimer: The information provided on this page represents TI's knowledge and belief as of the date that it is provided. TI bases its knowledge and belief on information provided by third parties, and makes no representation or warranty as to the accuracy of such information. Efforts are underway to better integrate information from third parties. TI has taken and continues to take reasonable steps to provide representative and accurate information but may not have conducted destructive testing or chemical analysis on incoming materials and chemicals. TI and TI suppliers consider certain information to be proprietary, and thus CAS numbers and other limited information may not be available for release.

In no event shall TI's liability arising out of such information exceed the total purchase price of the TI part(s) at issue in this document sold by TI to Customer on an annual basis.

OTHER QUALIFIED VERSIONS OF TPS62242-Q1 :

- Catalog: [TPS62242](#)

NOTE: Qualified Version Definitions:

- Catalog - TI's standard catalog product

TAPE AND REEL INFORMATION

QUADRANT ASSIGNMENTS FOR PIN 1 ORIENTATION IN TAPE


*All dimensions are nominal

Device	Package Type	Package Drawing	Pins	SPQ	Reel Diameter (mm)	Reel Width W1 (mm)	A0 (mm)	B0 (mm)	K0 (mm)	P1 (mm)	W (mm)	Pin1 Quadrant
TPS62242QDDCRQ1	SOT-23-THIN	DDC	5	3000	179.0	8.4	3.2	3.2	1.4	4.0	8.0	Q3

TAPE AND REEL BOX DIMENSIONS


*All dimensions are nominal

Device	Package Type	Package Drawing	Pins	SPQ	Length (mm)	Width (mm)	Height (mm)
TPS62242QDDCRQ1	SOT-23-THIN	DDC	5	3000	200.0	183.0	25.0

IMPORTANT NOTICE AND DISCLAIMER

TI PROVIDES TECHNICAL AND RELIABILITY DATA (INCLUDING DATASHEETS), DESIGN RESOURCES (INCLUDING REFERENCE DESIGNS), APPLICATION OR OTHER DESIGN ADVICE, WEB TOOLS, SAFETY INFORMATION, AND OTHER RESOURCES "AS IS" AND WITH ALL FAULTS, AND DISCLAIMS ALL WARRANTIES, EXPRESS AND IMPLIED, INCLUDING WITHOUT LIMITATION ANY IMPLIED WARRANTIES OF MERCHANTABILITY, FITNESS FOR A PARTICULAR PURPOSE OR NON-INFRINGEMENT OF THIRD PARTY INTELLECTUAL PROPERTY RIGHTS.

These resources are intended for skilled developers designing with TI products. You are solely responsible for (1) selecting the appropriate TI products for your application, (2) designing, validating and testing your application, and (3) ensuring your application meets applicable standards, and any other safety, security, or other requirements. These resources are subject to change without notice. TI grants you permission to use these resources only for development of an application that uses the TI products described in the resource. Other reproduction and display of these resources is prohibited. No license is granted to any other TI intellectual property right or to any third party intellectual property right. TI disclaims responsibility for, and you will fully indemnify TI and its representatives against, any claims, damages, costs, losses, and liabilities arising out of your use of these resources.

TI's products are provided subject to TI's Terms of Sale (www.ti.com/legal/termsofsale.html) or other applicable terms available either on ti.com or provided in conjunction with such TI products. TI's provision of these resources does not expand or otherwise alter TI's applicable warranties or warranty disclaimers for TI products.

Mailing Address: Texas Instruments, Post Office Box 655303, Dallas, Texas 75265
Copyright © 2020, Texas Instruments Incorporated