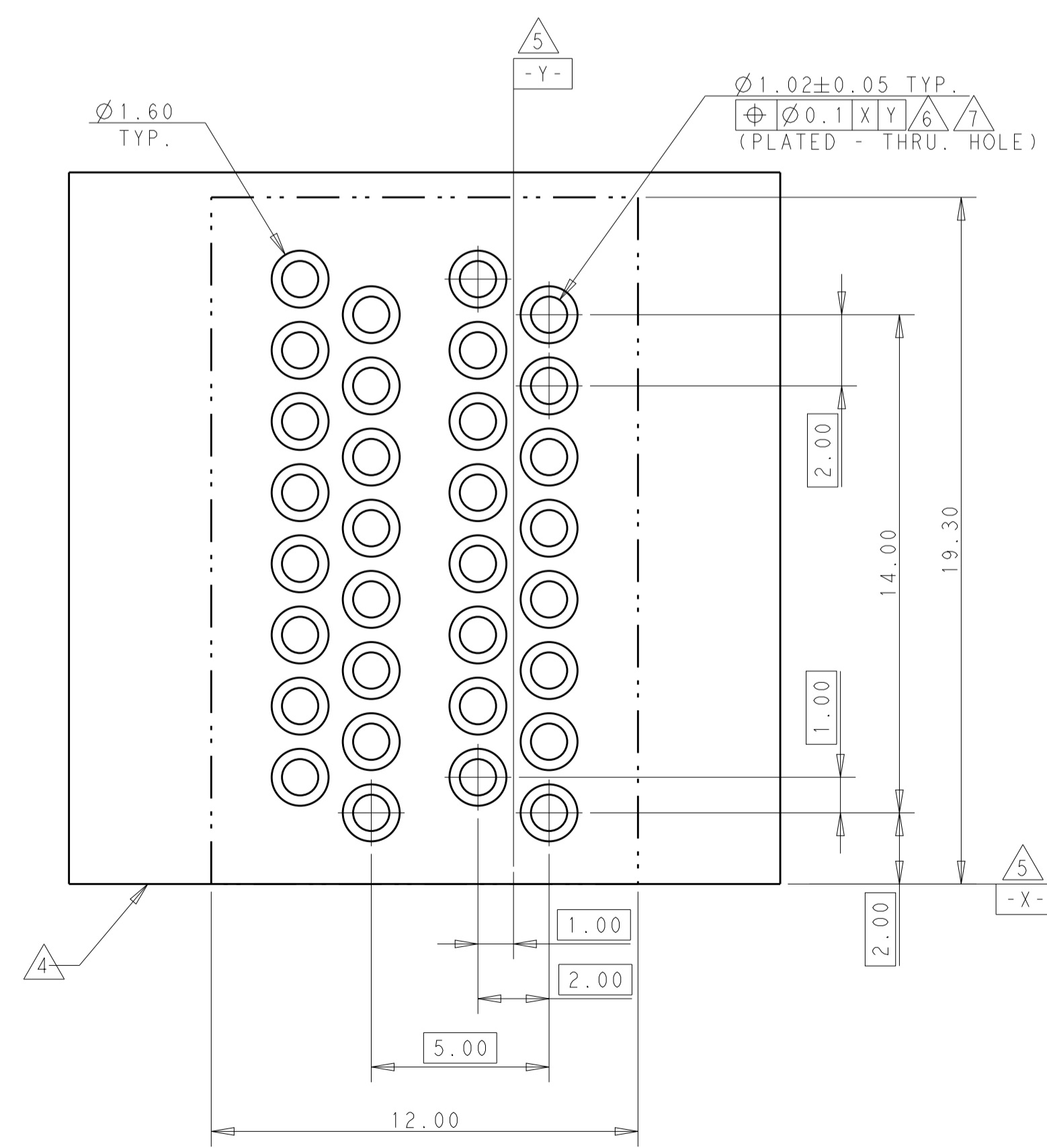
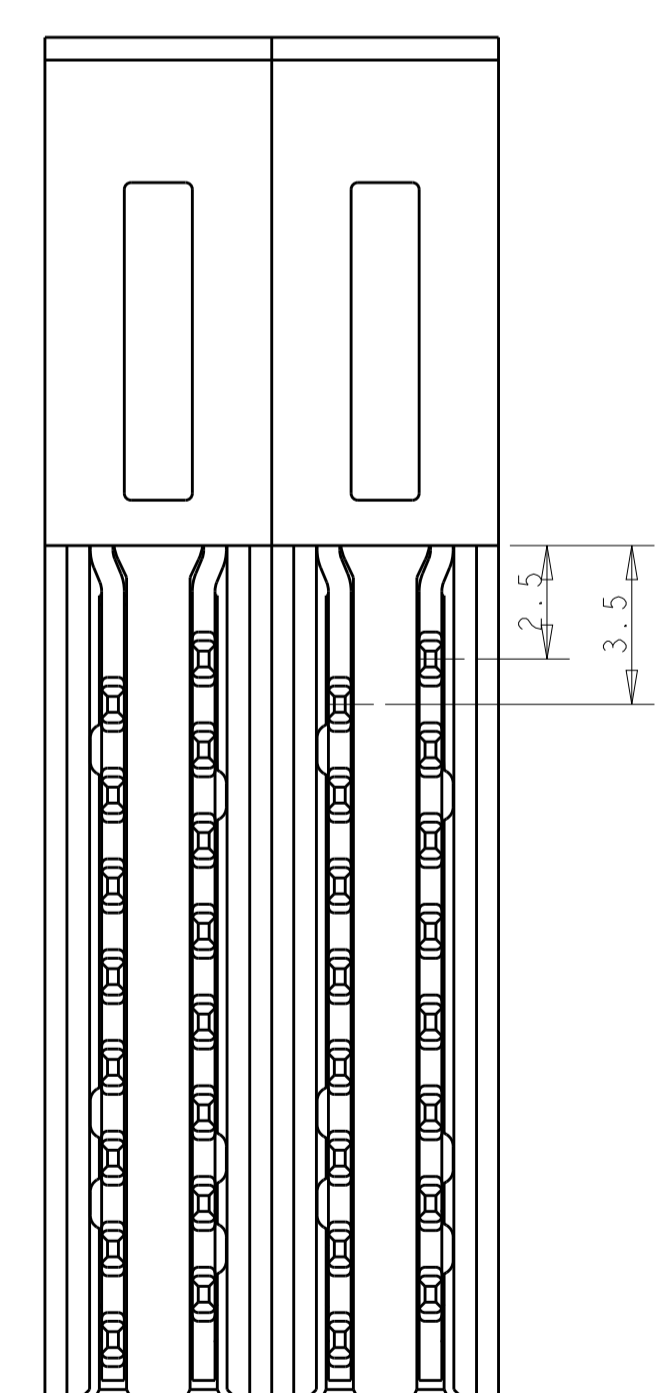
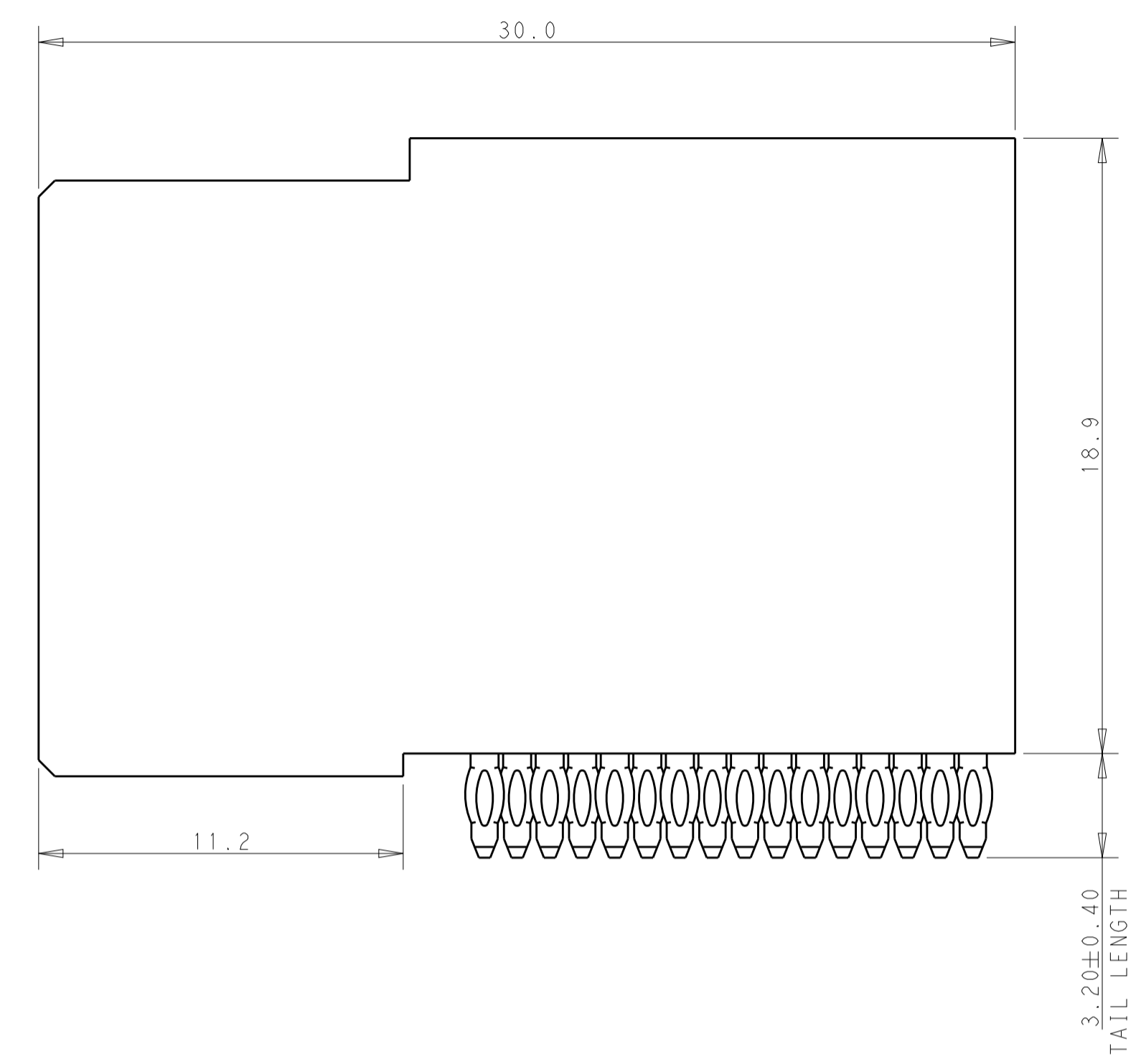
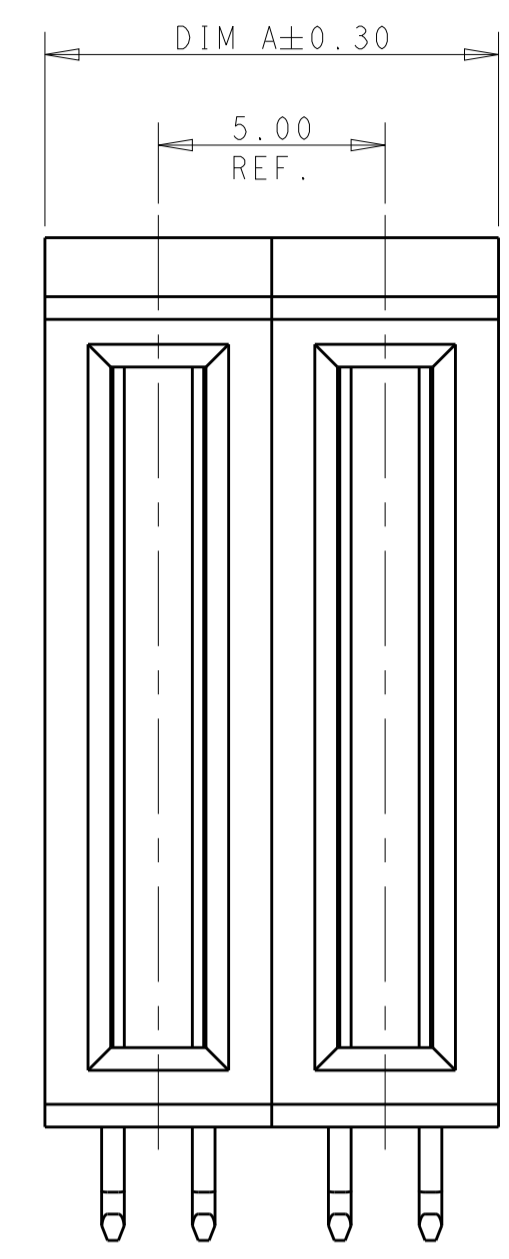
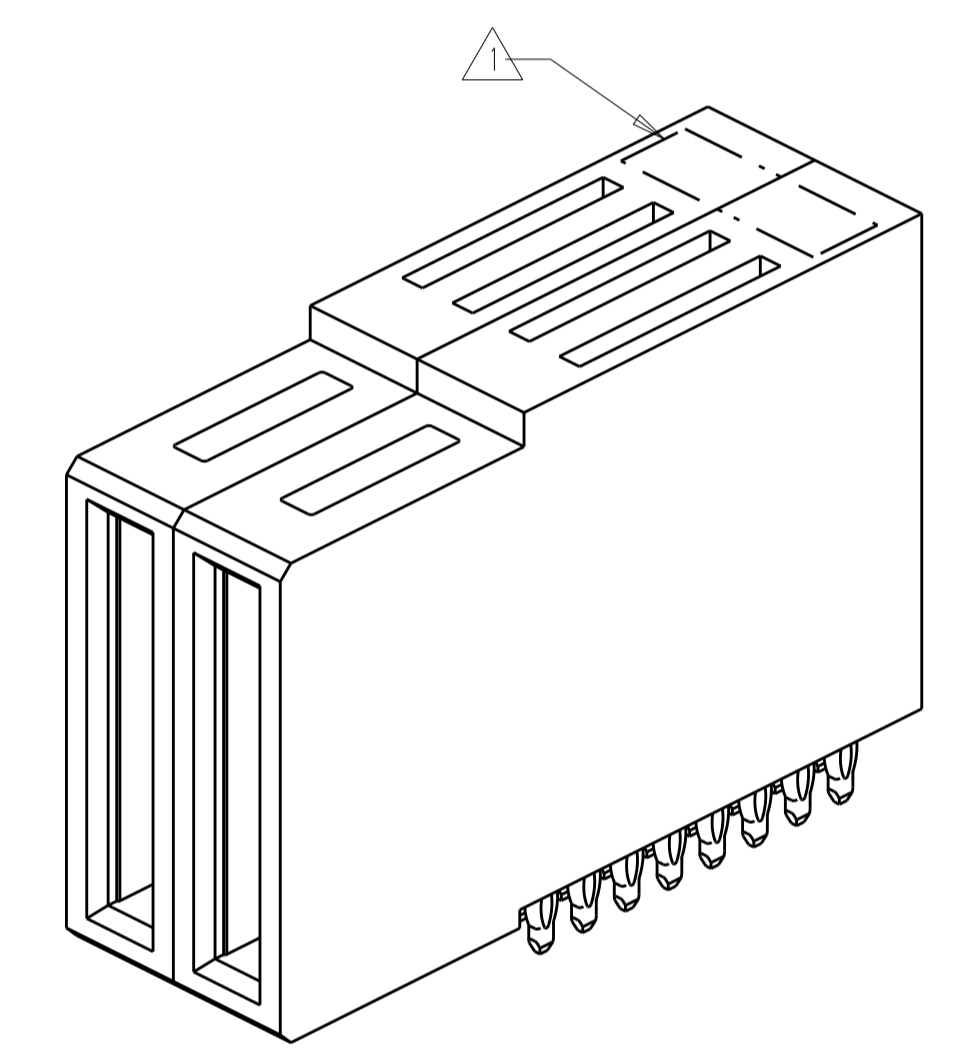


REVISIONS					
P	LTN	DESCRIPTION	DATE	DWN	APVD
A		RELEASED DRAWING	29JULY2016	TZ	SZ
A1		ECR-18-000263	09JAN2018	TZ	SZ



- NOTES, UNLESS OTHERWISE SPECIFIED:
- 1 "TE", PART NUMBER AND DATE CODE TO BE MARKED IN AREA SHOWN.
 - 2 MATERIAL:
HOUSING - GLASS FILLED HIGH TEMP THERMO PLASTIC, COLOR: BLACK, UL94 V- 0.
SIGNAL CONTACT - HIGH CONDUCTIVITY COPPER ALLOY.
POWER CONTACT - HIGH CONDUCTIVITY COPPER ALLOY.
 - 3 CONTACT PLATING:
MATING AREA - NOBLE METAL OVERALL NICKEL
TAIL SIDE AREA - MATTE TIN OVERALL NICKEL.
 - 4 MECHANICAL CONNECTOR KEEP OUT ZONE.
 - 5 DATUM AND BASIC DIMENSIONS ESTABLISHED BY CUSTOMER.
 - 6 PCB - ALL HOLE DIAMETERS ARE FINISHED HOLE SIZES.
 - 7 PCB HOLE:
POWER - 1.15 ± 0.025 MM DRILLED HOLES SIZE PLATING WITH 0.0076 MM MIN. Sn OVER 0.025-0.076 MM Cu PLATING TO ACHIEVE A 1.02 MM DIA. HOLE.
SIGNAL - 0.835 ± 0.025 MM DRILLED HOLES SIZE PLATING WITH 0.0076 MM MIN. Sn OVER 0.025-0.076 MM Cu PLATING TO ACHIEVE A 0.72 MM DIA. HOLE.



PART NUMBER	HOUSING	POWER	
		P2	P1
2204403-1	2204313-1	P R	P R
		2P	

DESCRIPTION	CODE
INSERT MOLD SIGNAL CONTACT PRESS FIT	VR
POWER CONTACT PRESS FIT STANDARD	PS
POWER CONTACT PRESS FIT MFBL	PR

THIS DRAWING IS A CONTROLLED DOCUMENT. DWN: THOMAS ZHAO 16JUN2014
 CHK: SUNY ZHAO 16JUN2014
 APVD: SUNY ZHAO 16JUN2014

STE TE Connectivity

Customer Drawing
 RIGHT ANGLE REC. PRESS FIT
 MULTI-BEAM HD W/GUIDELESS

SIZE: A1 CAGE CODE: - DRAWING NO: C=2204403 RESTRICTED TO: -
 WEIGHT: - SCALE: 6:1 SHEET 1 OF 2 REV: A1

