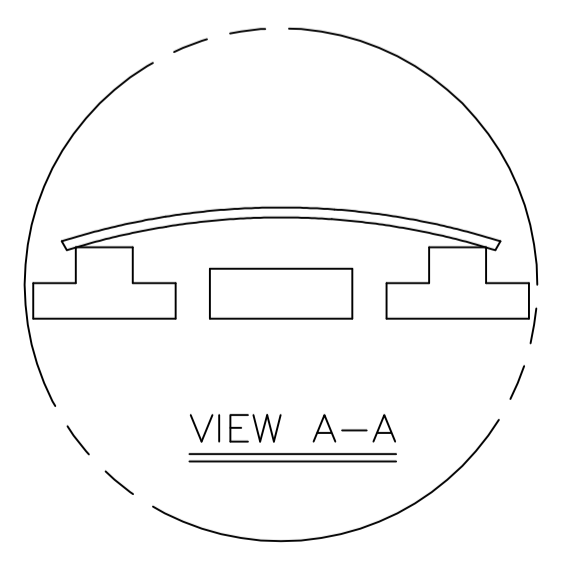
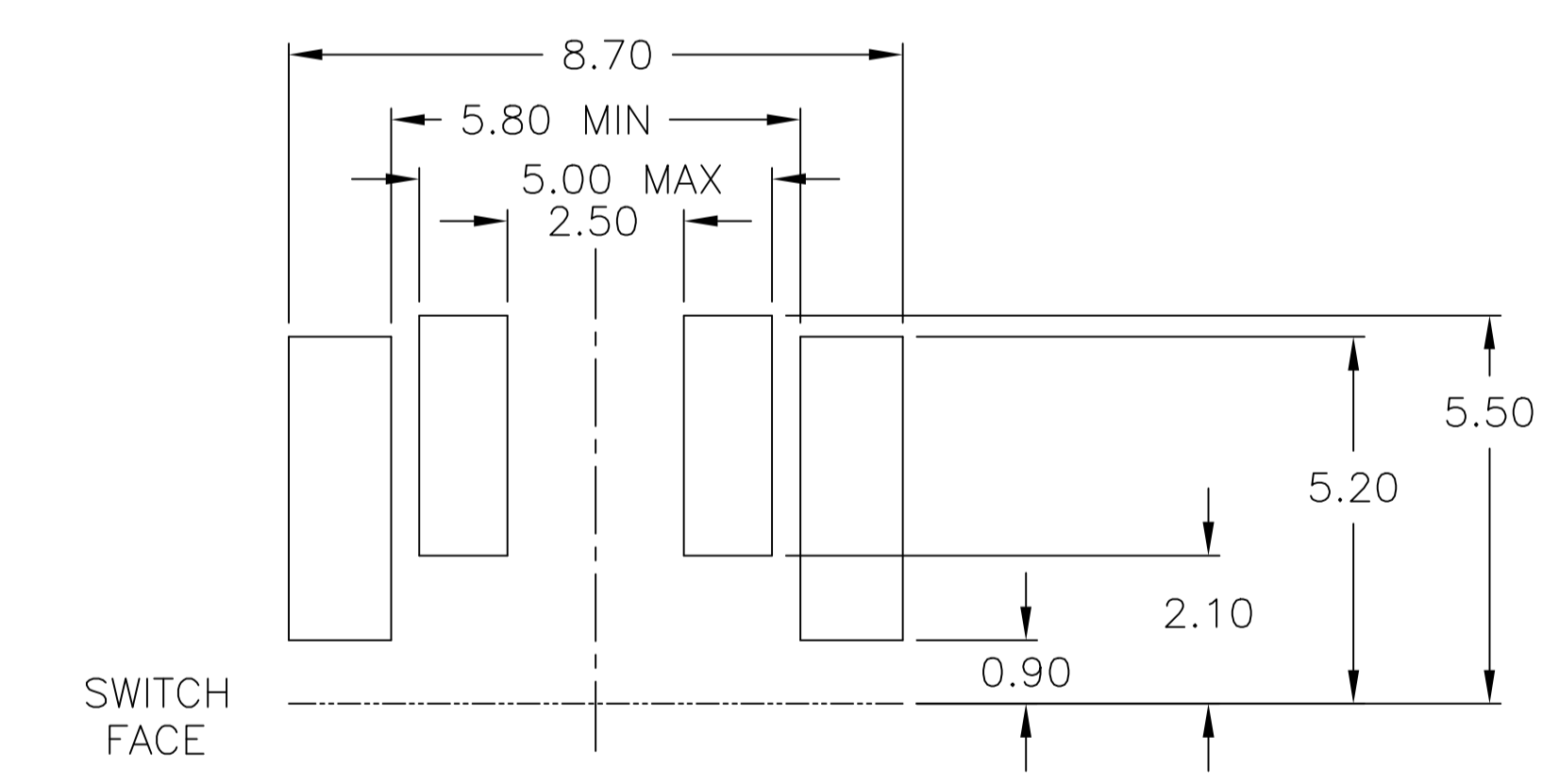
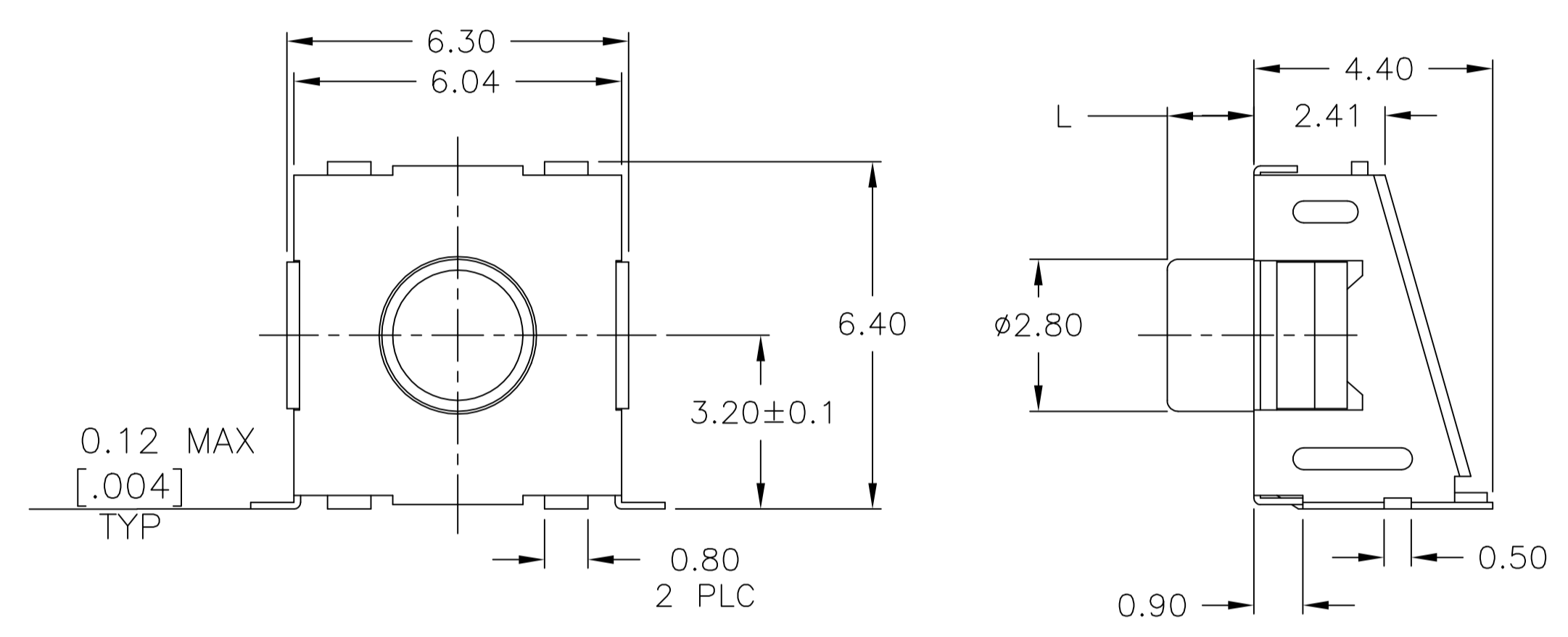
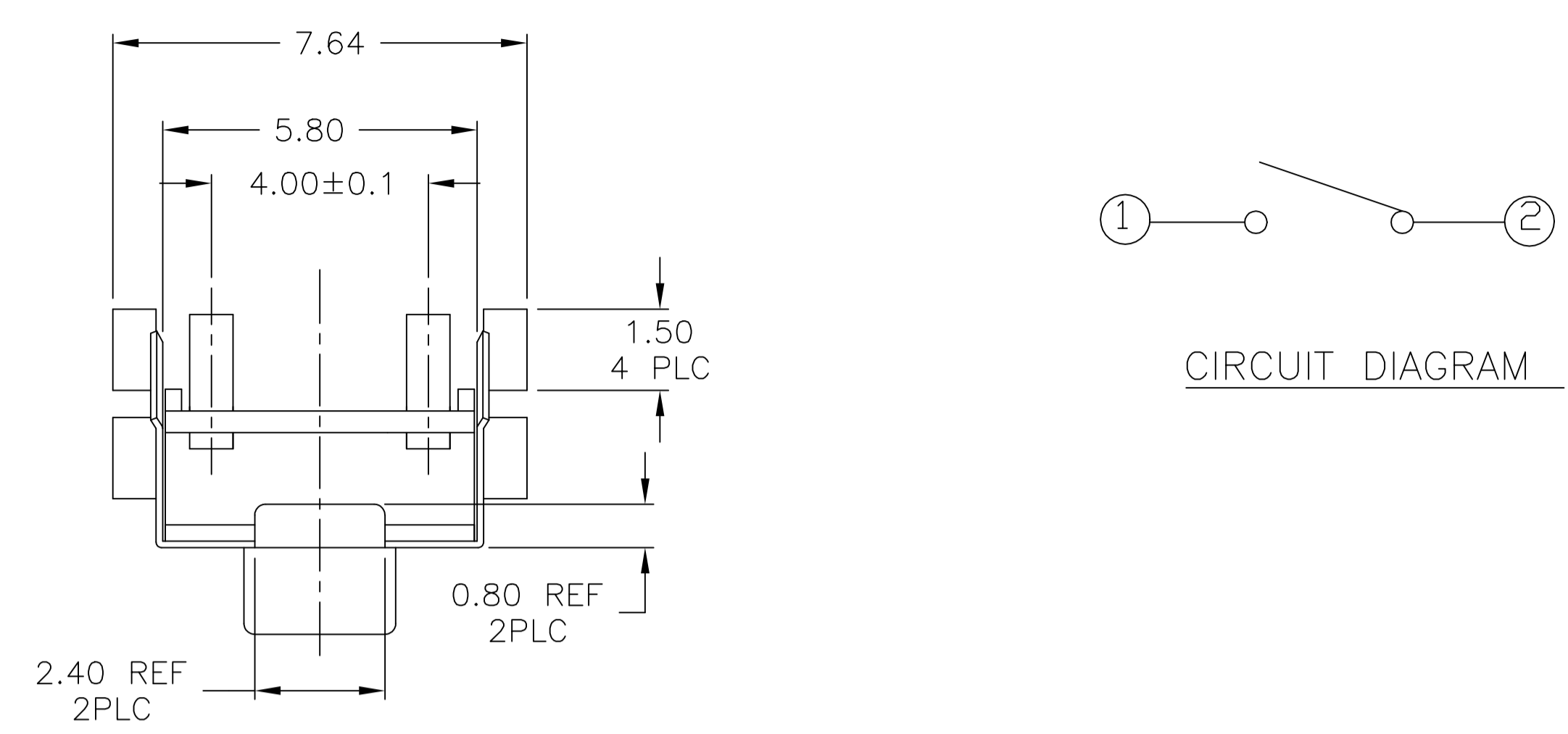


REVISIONS				
P	LYR	DESCRIPTION	DATE	DWN APVD
J		REVISED PER ECO-17-014758	18DEC2017	GCM PO



SPECIFICATIONS

MATERIALS

CASE: THERMOPLASTIC, UL94V-0, IVORY
 ACTUATOR: SILICON RUBBER, COLOR-BLACK
 CONTACT: STAINLESS STEEL, PLATING-SILVER
 TERMINAL: BRASS, SILVER/NICKEL
 BRACKET: NICKEL SILVER

ELECTRICAL

MAX CONTACT RATING: 50MILLIAMPS@24V DC
 MIN CONTACT RATING: 10MICROAMPS@1V DC
 INITIAL CONTACT RESISTANCE: 100 MILLIOHMS MAX, PER EIA RS-448, METHOD 1
 INSULATION RESISTANCE: 100 MEGOHMS MIN @ 100VDC PER EIA RS-186-13E
 DIELECTRIC STRENGTH: 500 VAC 50/60 HZ FOR 1 MINUTE
 CONTACT BOUNCE: 10 MILLISECOND MAX PER EIA-448-18, METHOD 15

MECHANICAL

ACTUATOR OPERATING FORCE: SEE TABLE
 ACTUATOR TRAVEL: 0.35±0.2mm

DURABILITY

UP TO 1,000,000 CYCLES, AT RATED LOAD PER EIA-RS-448, METHOD 8
 FINAL CONTACT RESISTANCE: 200 MILLIOHMS MAX
 CONTACT BOUNCE: 20 MILLISECONDS MAX
 ACTUATOR FORCE: WITHIN ±30% OF INITIAL VALUE

ENVIRONMENTAL

OPERATING TEMPERATURE RANGE: -35°C to +85°C, 45% - 85% RH
 STORAGE TEMPERATURE RANGE: -35°C to +85°C
 HUMIDITY: 96 HOURS PER EIA-186-1E
 INSULATION RESISTANCE: 10 MEGOHMS MIN
 DIELECTRIC STRENGTH: 500VAC 50/60HZ FOR 1 MINUTE
 CONTACT RESISTANCE: 100 MILLIOHMS MAX
 DRY HEAT TEST: 85°C FOR 96 HOURS PER IEC 60068-2-2, TEST B,
 NO CHANGE IN INITIAL ELECTRICAL AND MECHANICAL CHARACTERISTICS
 COLD TEST: -35°C FOR 96 HOURS PER IEC 60068-2-1, TEST A;
 NO CHANGE IN INITIAL ELECTRICAL AND MECHANICAL CHARACTERISTICS
 THERMAL CYCLING: 5 CYCLES, -35°C to +85°C
 HUMIDITY-TEMPERATURE CYCLING, EIA 364-31B, METHOD III
 CONTACT RESISTANCE 100 MILLIOHMS MAX
 RESISTANCE TO SOLDERING HEAT PER 109-201, COND B

SEALING PER IP67 - CONTACT RESISTANCE 100 MILLIOHMS MAX AND
 MIL-STD-202F, METHOD 112 (TEST CONDITION D, EXCEPT WITH FLUID
 TEMPERATURE OF 85°C±5°C AND IMMERSED FOR 60 SECONDS)

SOLDERABILITY: PER EIA-364-52, CLASS 1, CATEGORY 2

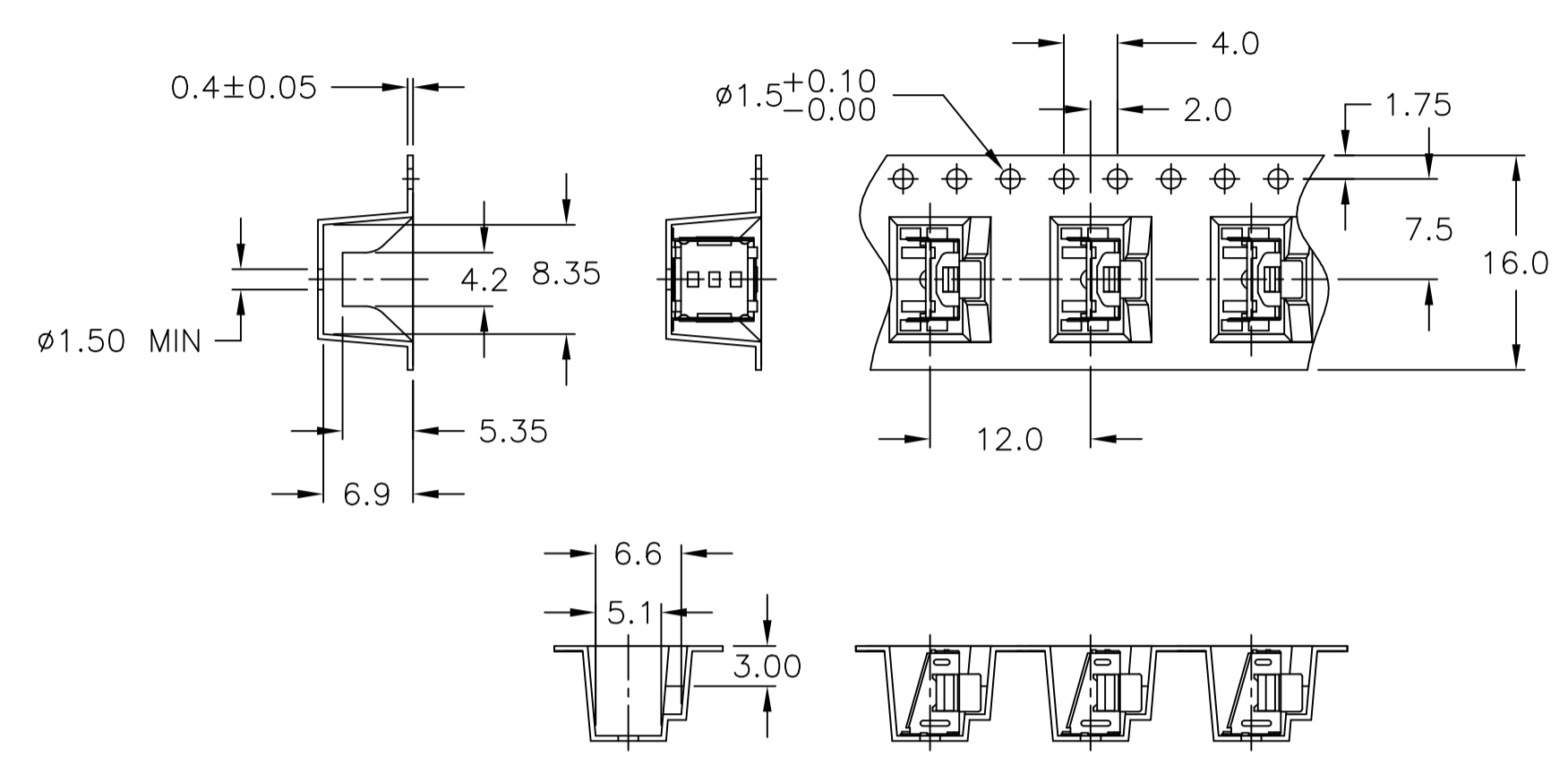
- 1 PARTS TO BE PACKAGED ON TAPE AND REEL PER EIA-481
- 2 ALL MATERIALS AND FINISHES SHALL COMPLY WITH EU DIRECTIVE 2002/95/EC OF 27JAN2003 (ROHS)
- 3 OBSOLETE PARTS: OBSOLETE CIS STREAMLINING PER D.RENAUD/D.SINISI

1	OBSOLETE		16mm	T&R	260±100gf	3.96mm	1571407-4	
3	OBSOLETE	N/A	N/A	BULK	260±100gf	3.96mm	1571407-3	
			16mm	T&R	260±100gf	1.60mm	1571407-2	
			N/A	N/A	BULK	260±100gf	1.60mm	1571407-1
			Pitch	Packaging	Operating force	Dim L	TE P/N	

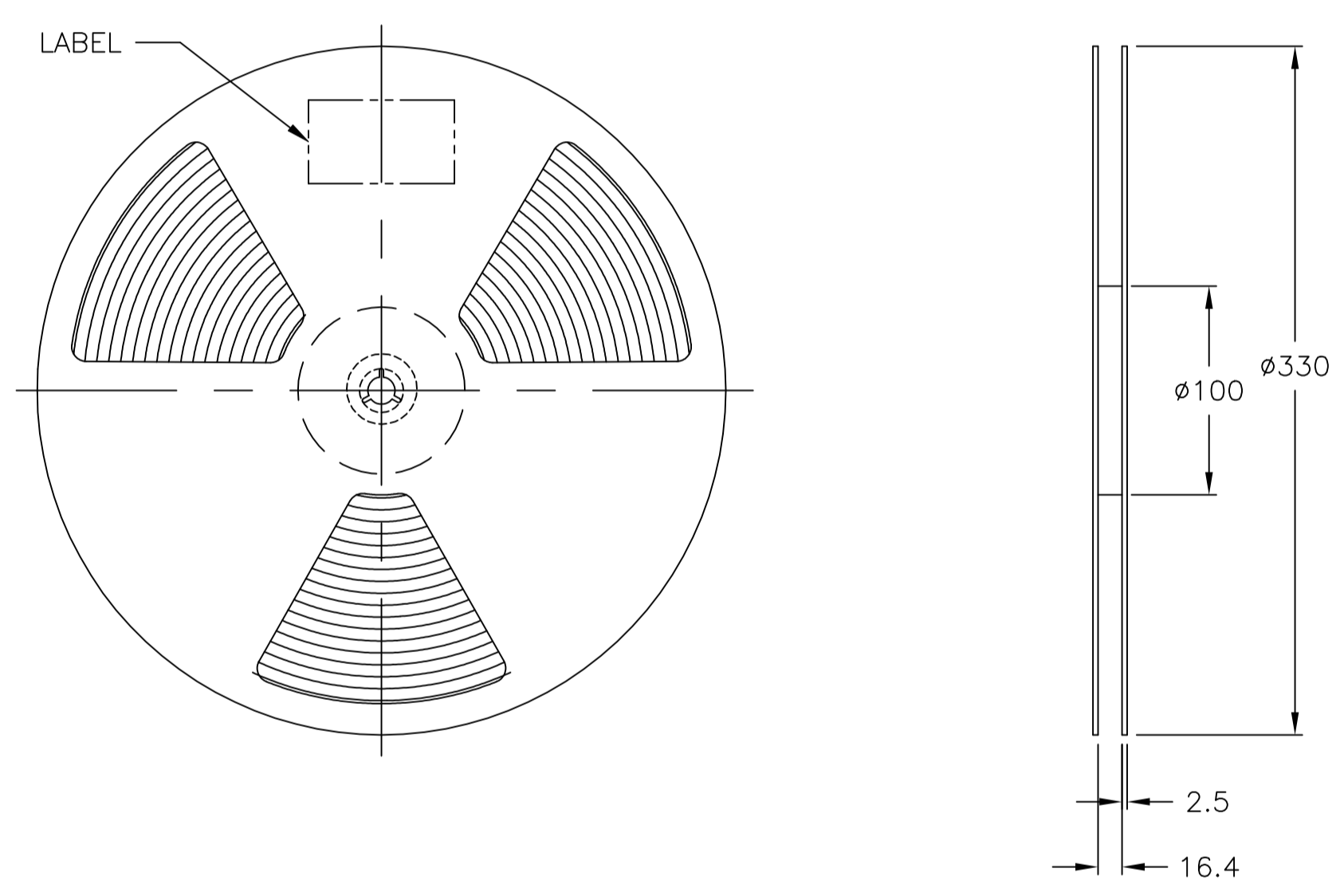
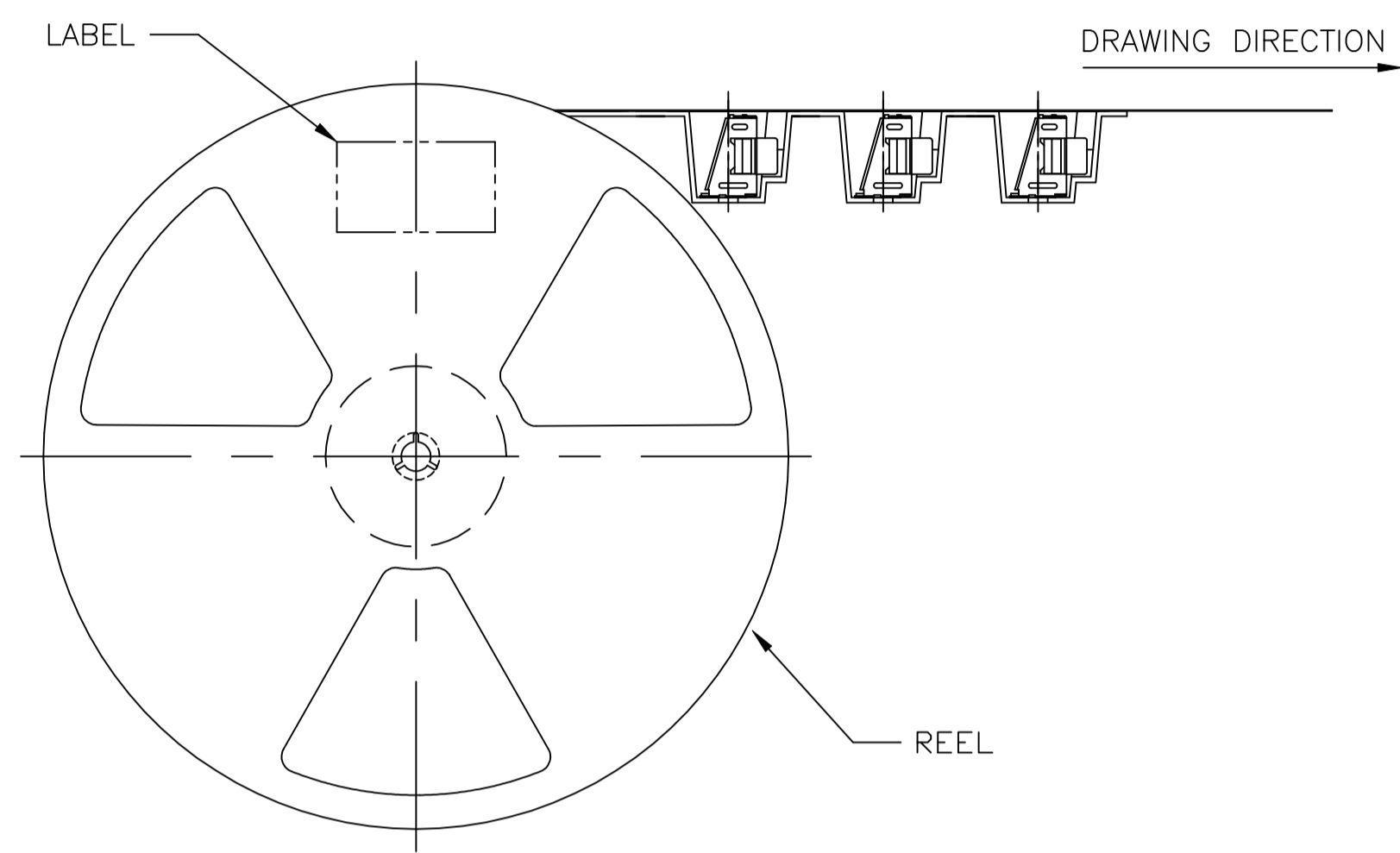
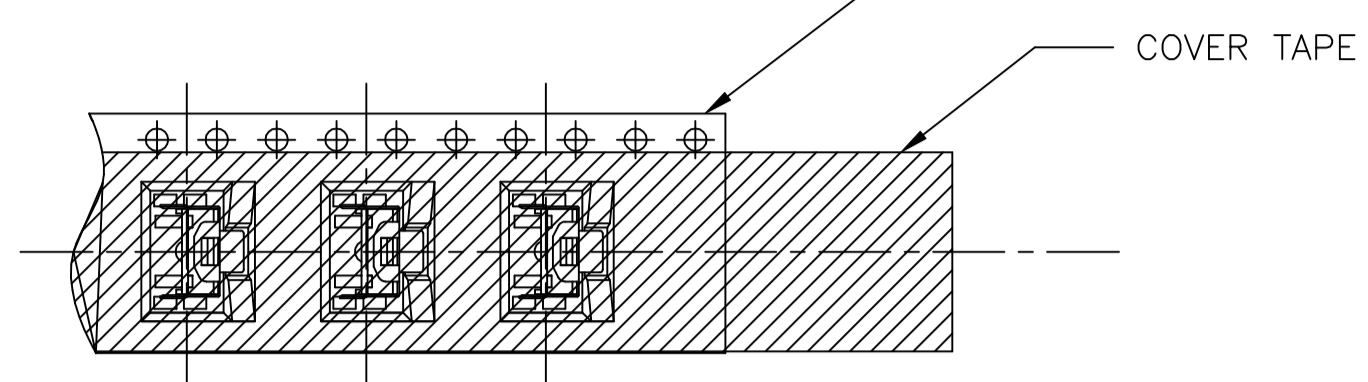
DIMENSIONS:		TOLERANCES UNLESS OTHERWISE SPECIFIED:		DRAWING NO	
mm		mm		00779	1571407
0 PLC	±	0.30	[0.12]	SIZE	A1
1 PLC	±			CAGE CODE	00779
2 PLC	±			DRAWING NO	1571407
3 PLC	±			RESTRICTED TO	
4 PLC	±			SCALE	10:1
ANGLES	±			SHEET	1 OF 2
FINISH				REV	J

REVISIONS				
P	LYR	DESCRIPTION	DATE	OWN APVD
-	-	SEE SHEET 1	-	-

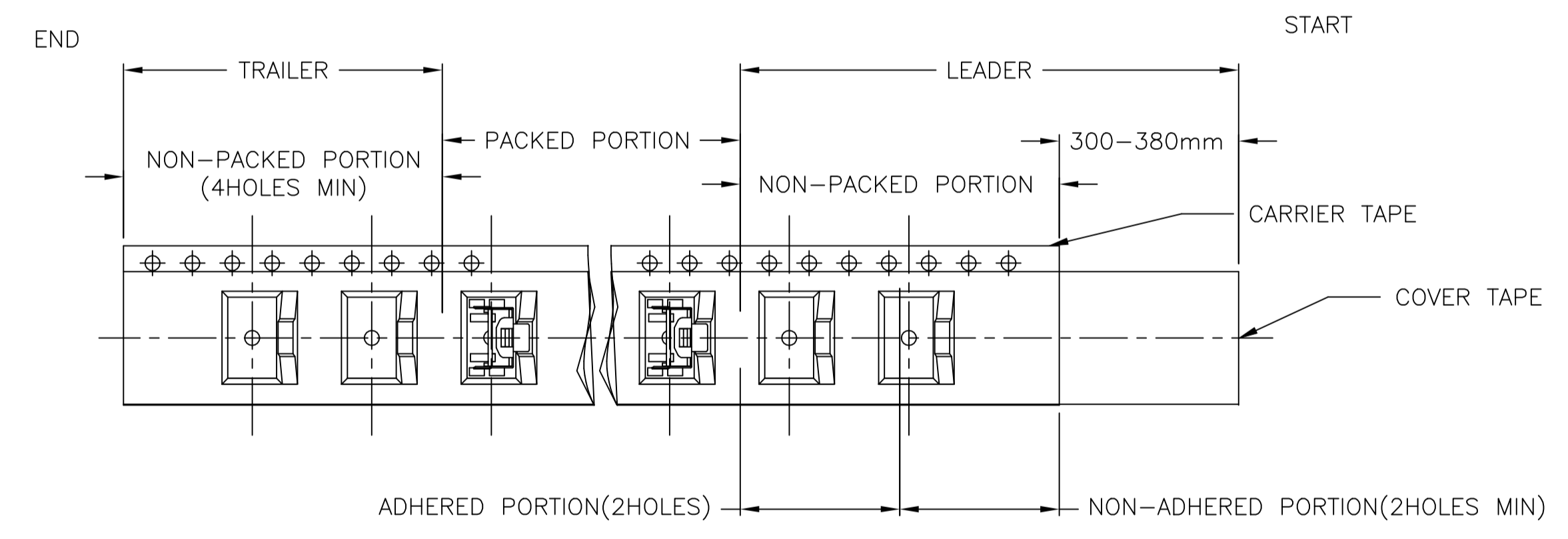
* THE DIMENSION OF CARRIER TAPE, COVER TAPE AND REEL *



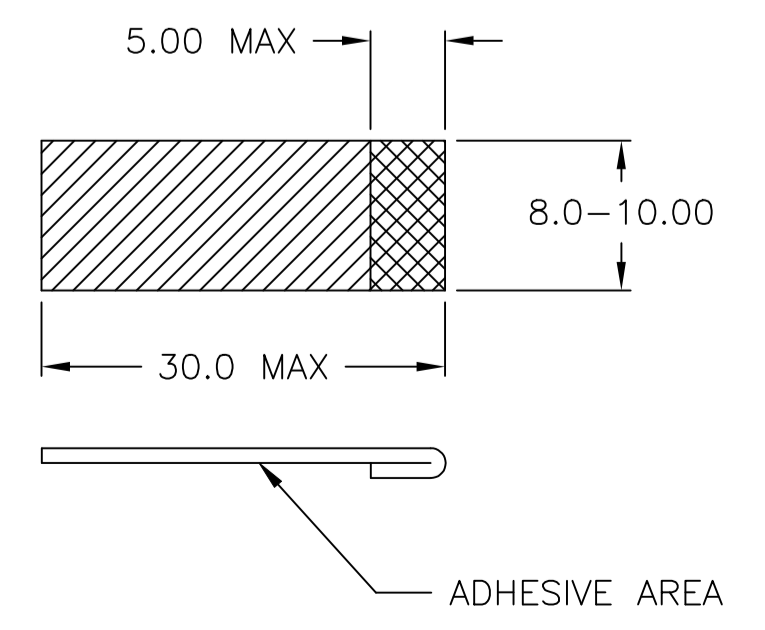
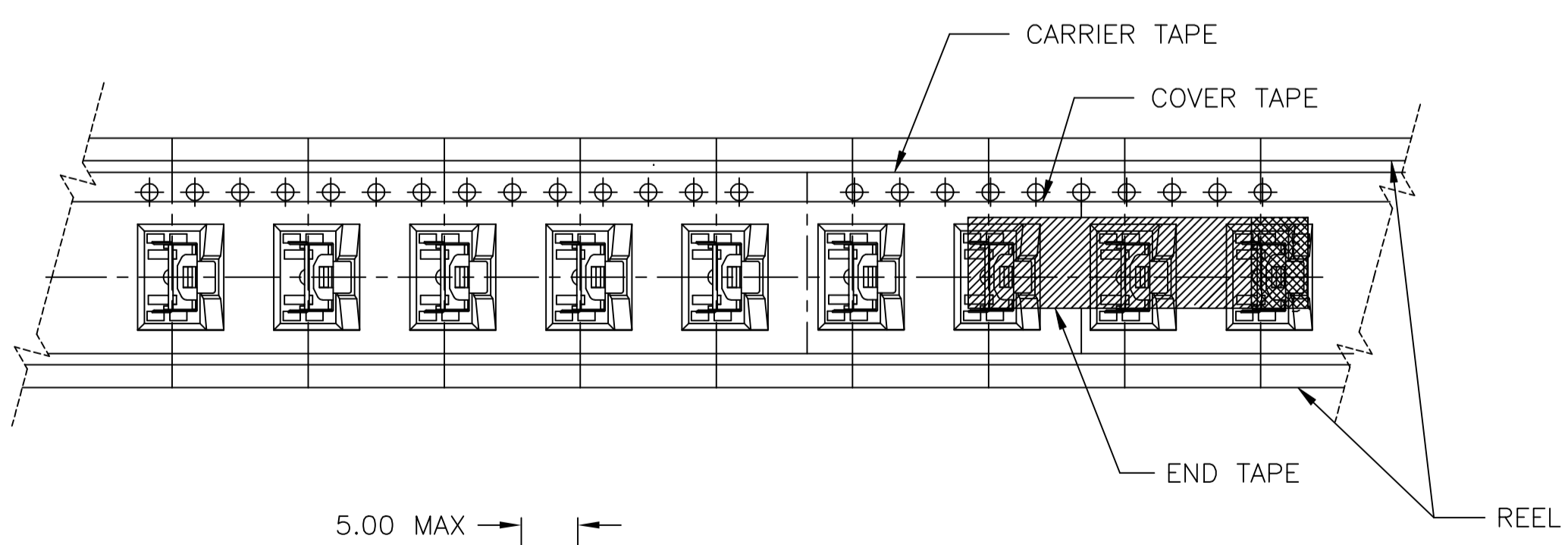
* THE DIRECTION OF PILOT HOLES *



* THE SPECIFICATION FOR PACKAGING *



* END TAPE *



THIS DRAWING IS A CONTROLLED DOCUMENT.		DWN M.BINNER	09DEC02	TE Connectivity	
DIMENSIONS: mm		CHK M.SARVER	-		
TOLERANCES UNLESS OTHERWISE SPECIFIED:		APVD M.SARVER	-	NAME SWITCH ASSEMBLY, TACTILE, RIGHT ANGLE, SMT, SEALED	
		PRODUCT SPEC	-	APPLICATION SPEC	
MATERIAL		SIZE	CAGE CODE	DRAWING NO	RESTRICTED TO
FINISH		WEIGHT	A1	00779	©=1571407
CUSTOMER DRAWING		SCALE	2:1	SHEET	2 OF 2
		REV	J		