



## END OF PRODUCTION NOTIFICATION

EOP No.: **EOP150901**

*This End of Production Notification serves to inform the Purchaser and Consumer of the discontinued availability of the Crydom part numbers listed herein in accordance with the described time line.*

**Issue Date:** September 11<sup>th</sup> 2015

**Effective Date:** December 31<sup>st</sup> 2015

**Subject:**

**Obsolescence of CSD Series and substitution with CSW Series.**

**Scope:**

Production of the CSD Series of Solid State Relays is being discontinued. The CSD family can be replaced by the fully compatible CSW Series of Solid State Relays.

**Products/Models this EOP applies to:**

CSD2410  
CSD2410F  
CSD2425  
CSD2425-10  
CSD2425F  
CSD2425P  
CSD2440  
CSD2450  
CSD2475  
CSD2490

**Last Time Buy Date:**

Thursday December 1<sup>st</sup> 2015. These items have been granted a 4 month last time buy period. The products will become obsolete on Monday January 4<sup>th</sup> 2016.

**Last Ship Date:**

Thursday December 31<sup>st</sup> 2015.

**Alternative Products/Models:**

The CSD Series is being totally replaced by the CSW Series which has the same or better electrical performance, ratings and features. The CSW Series is part of our Generation 4 line of

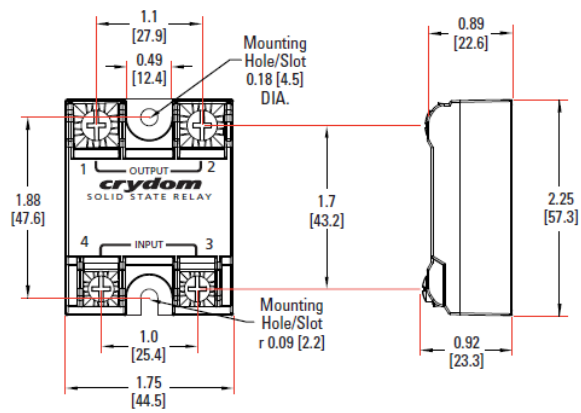
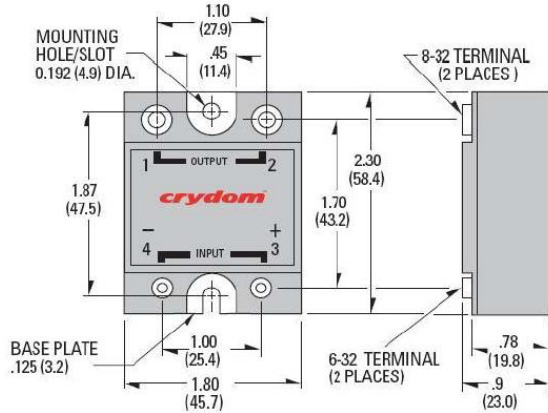


SSRs, which have some significant improvements with regards to the Generation 3 SSRs. A comparison between these 2 Series is shown below:

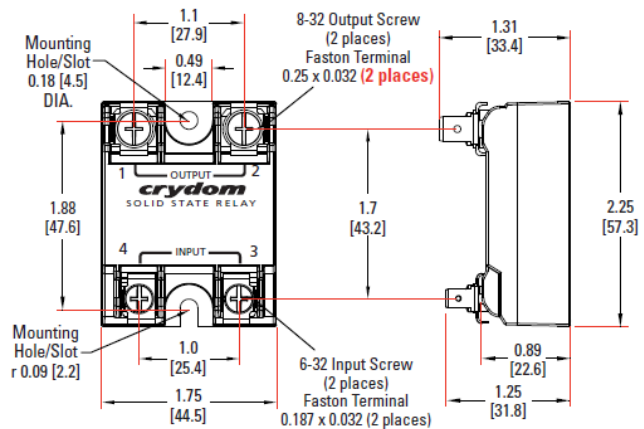
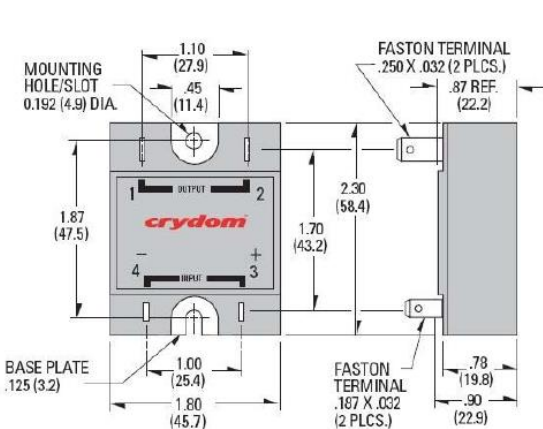
CSD Series



CSW Series



F option (Faston Terminals):





The following are some of the changes done on the Gen 4 SSRs that apply to the CSW series:

1. The CSW series feature new SEMs screw washers with higher wire pull out specs and include plastic anti rotation barriers.
2. Epoxy free construction which reduces the product weight.
3. Direct copper output leads design which reduces power losses and increase reliability.
4. The Generation 4 design utilizes an optical Triac coupler for input/output isolation and for triggering the output circuit. This translates into better noise immunity and improved dv/dt capability.
5. Due to the improved dv/dt capability the Generation 4 design doesn't require an RC snubber, which reduces the output leakage current.
6. Generation 4 SSRs have a standard input current regulation circuit which consumes less power at higher input control voltages.

Also to take into consideration:

- The CSW series accepts the KS101 touch safe cover, which has an improved latching system compared to the old KS100 cover.
- For customers mounting the SSR into a PCB (or a PCB on top of the SSR) they need to order the part number with suffix K, which has hex standoff terminals.

Part numbers to be obsoleted are shown below, including recommended replacement part numbers:

Obsolete Part Numbers	Replacement Part Numbers
CSD2410	CSW2410
CSD2410F	CSW2410F
CSD2425	CSW2425
CSD2425-10	CSW2425-10
CSD2425F	CSW2425F
CSD2425P	CSW2425P
CSD2440	CSW2450
CSD2450	CSW2450
CSD2475	CSW2475
CSD2490	CSW2490

**Marketing Director**

Alessandro Bosio

**Crydom Inc.**

2320 Paseo de las Americas, Suite 201, San Diego, CA 92154  
Tel.: +1 (877) 502 5500 - Fax: +1 (619) 210 1590 - E-mail: sales@crydom.com  
[www.crydom.com](http://www.crydom.com)

